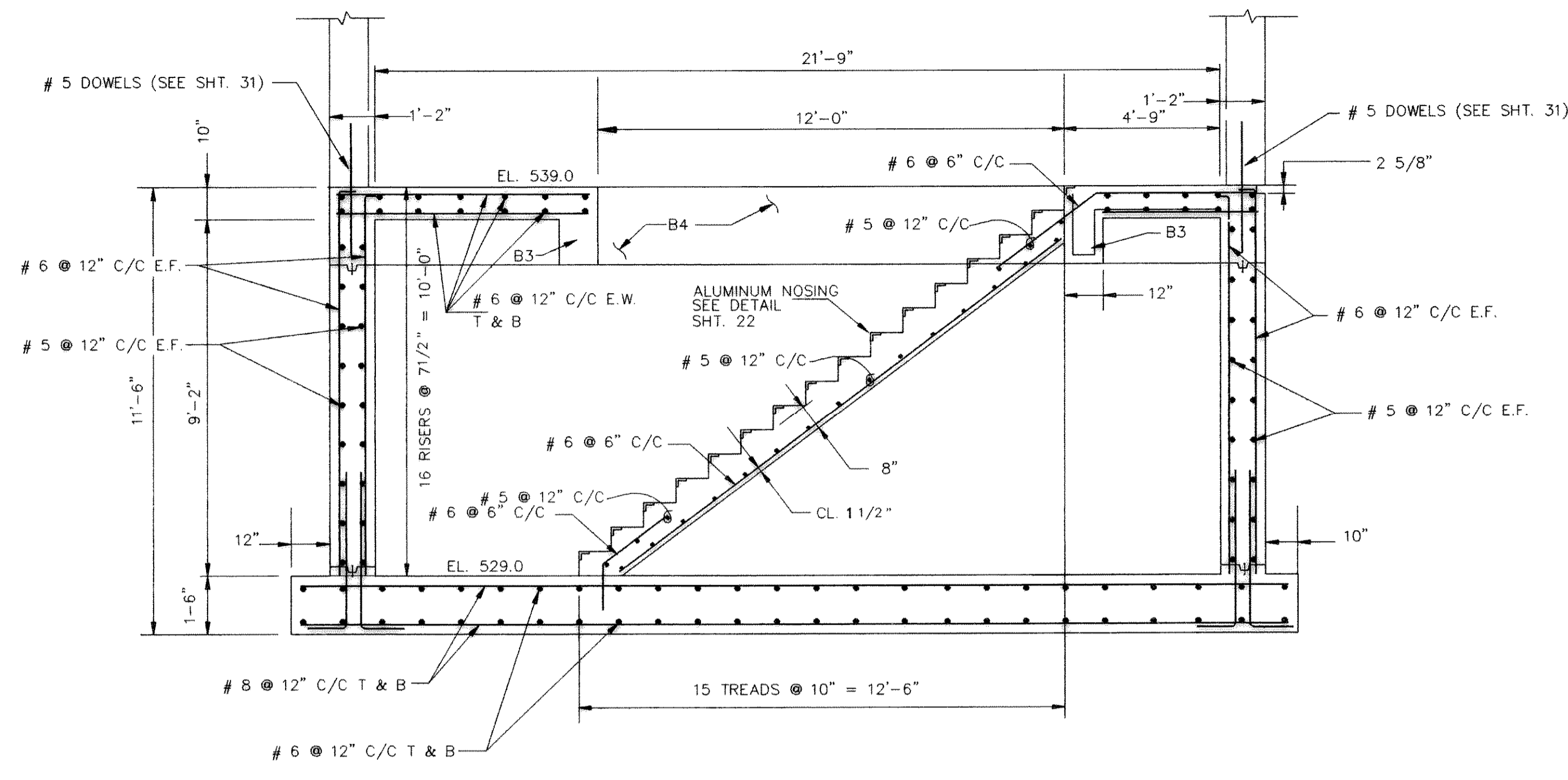
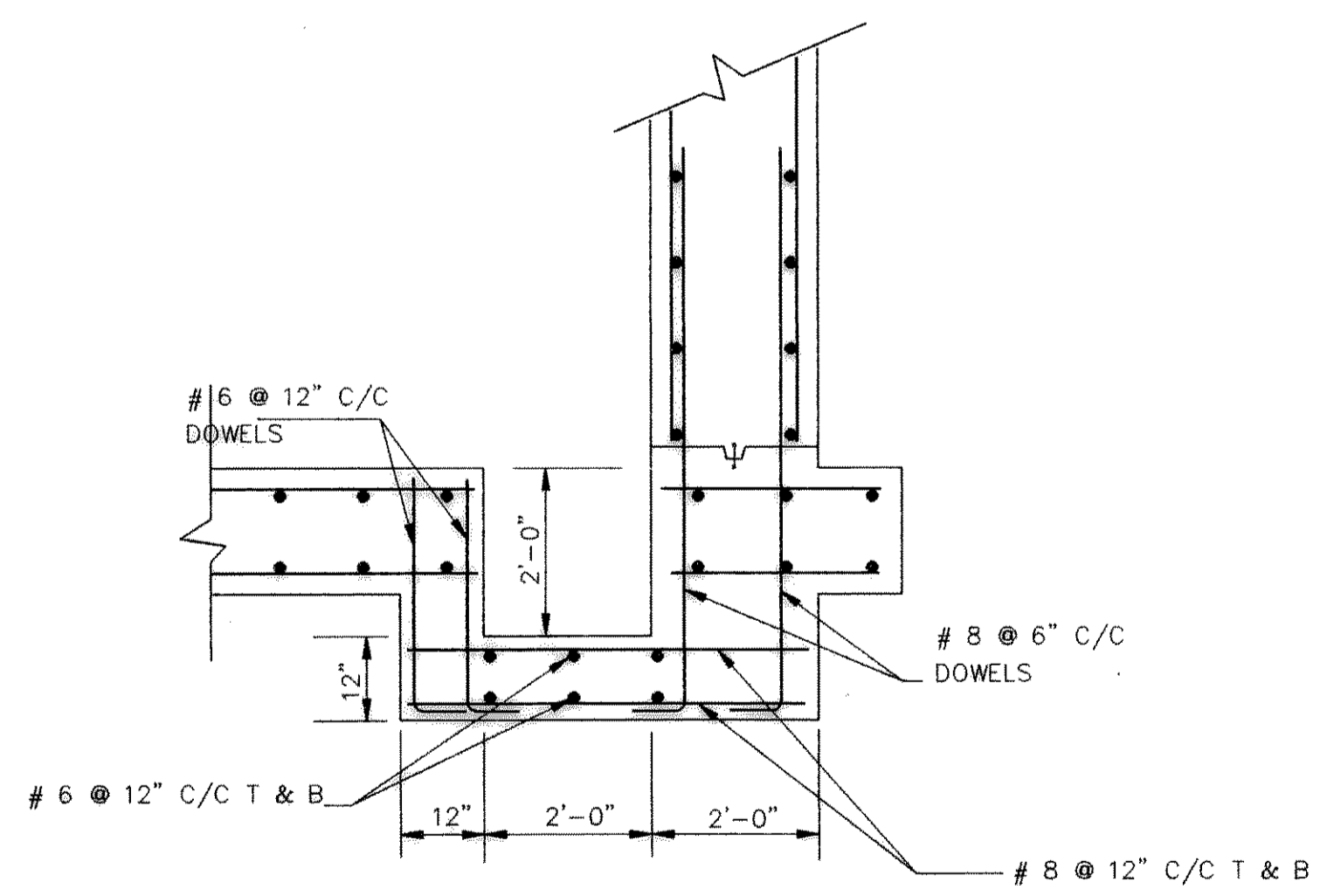


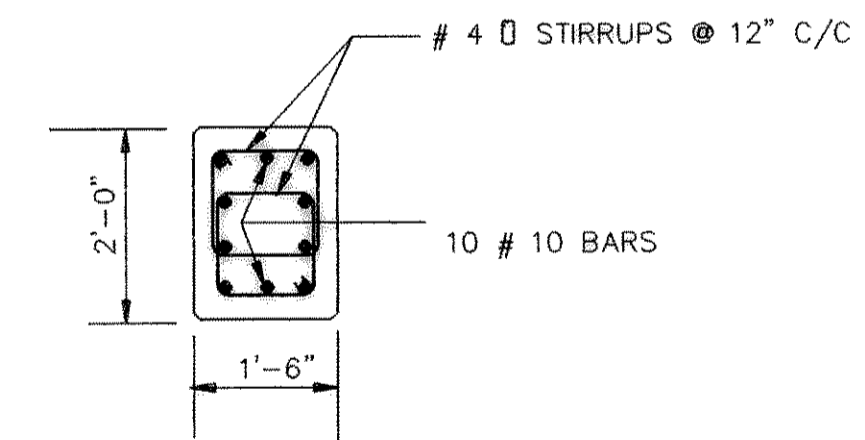
SECTION
SCALE: 3/8"=1'-0"
17/18



SECTION
SCALE: 3/8"=1'-0"
3/17/18



SECTION
SCALE: 1/2"=1'-0"
4/17/18



SECTION
SCALE: 1/2"=1'-0"
1/17/18

RECORD DRAWING
BASED ON INFORMATION
SUPPLIED BY THE CONTRACTOR
DATE: 10/2/92 BY: LDS

ACAD Ref. 12 User: Hugo Trevino
ROKDWG18.DWG
OCT 2, 1992 8:39:12 A.M.

ACAD PLOTTER
BY: HUGO TREVINO

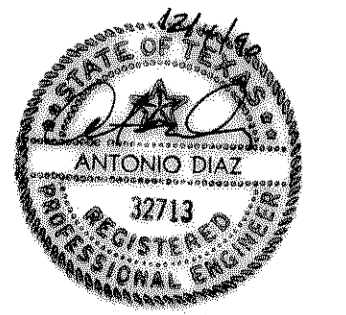
DATE	REVISION	BY	CHECKED

DESIGNED:	JOB NO. ROK89005
DRAWN:	DATE 11/19/90
TRACED:	SCALE AS SHOWN
CHECKED:	

FREESE AND NICHOLS, INC.
CONSULTING ENGINEERS
FORT WORTH - ARLINGTON - AUSTIN, TEXAS

CITY OF ROCKWALL, TEXAS
EASTSIDE PUMP STATION

STRUCTURAL
PUMP STATION SECTIONS



SHEET
18 OF 39