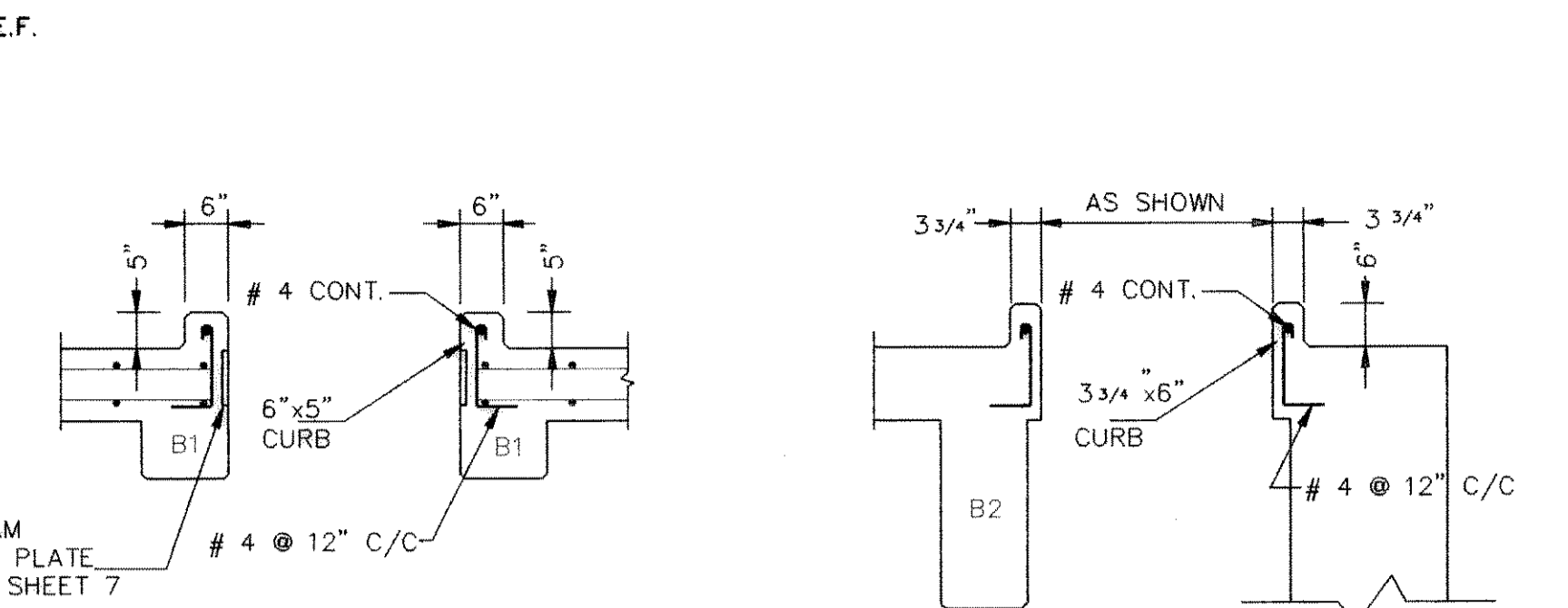
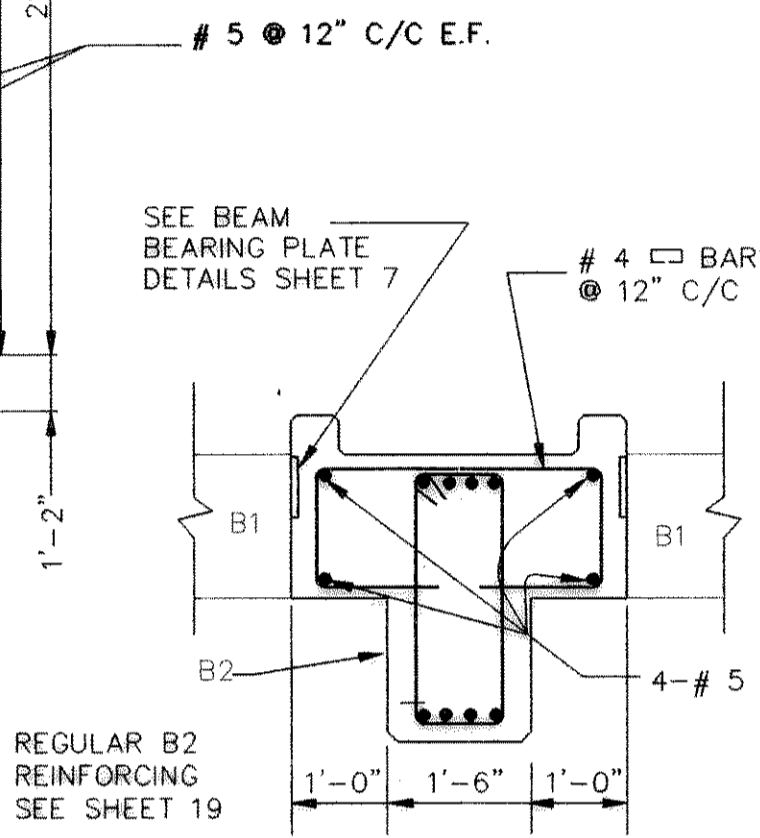


**SECTIONAL PLAN**  
SCALE: 1/4"=1'-0"

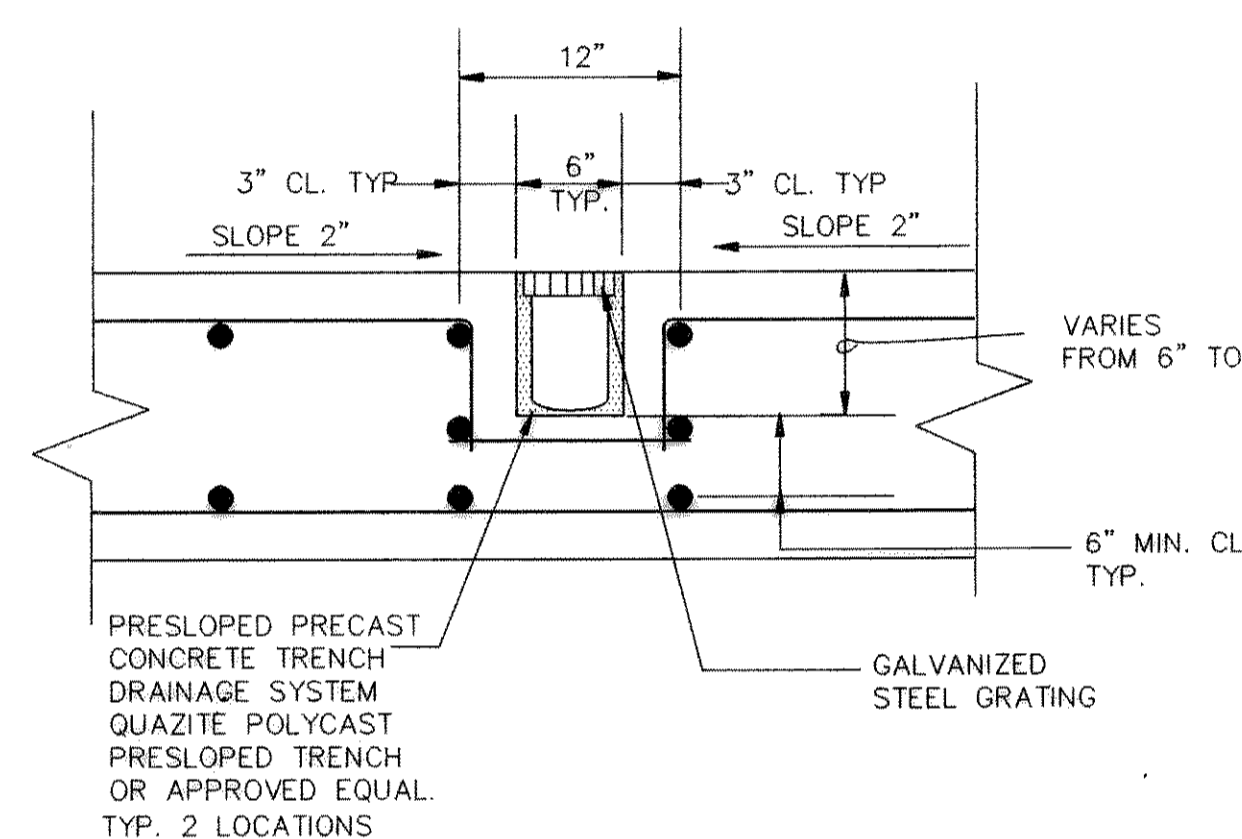


**SECTION 2**  
SCALE: 1/2"=1'-0"

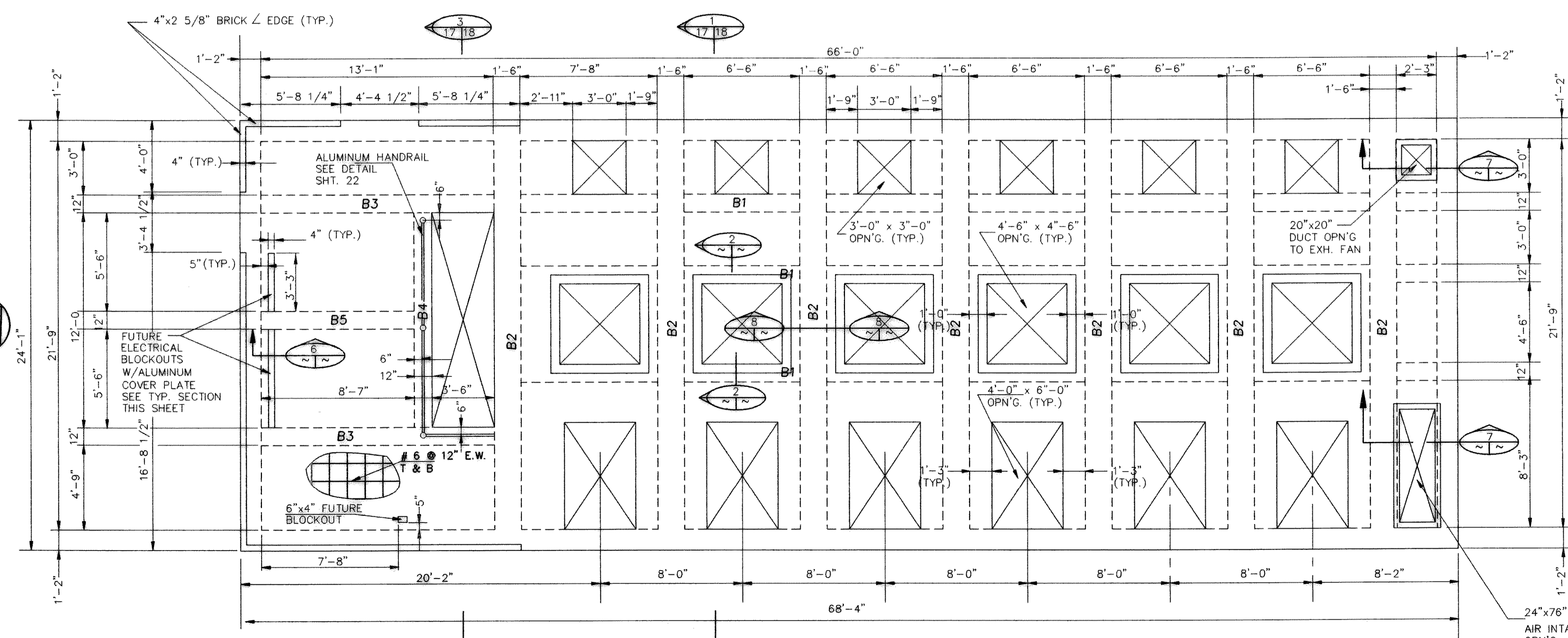
**SECTION 7**  
SCALE: 1/2"=1'-0"



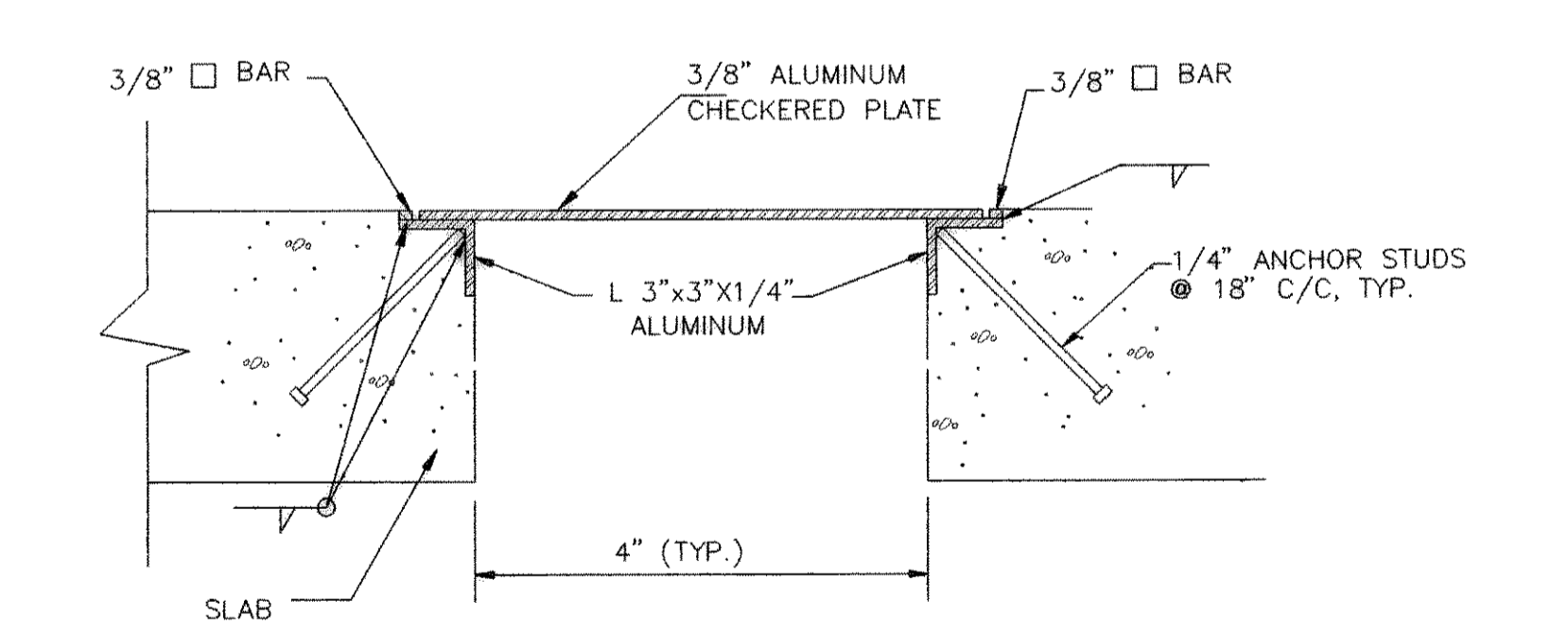
**SECTION 8**  
SCALE: 1/2"=1'-0"



**SECTION 5**  
SCALE: 1"=1'-0"



**TOP PLAN**  
SCALE: 1/4"=1'-0"

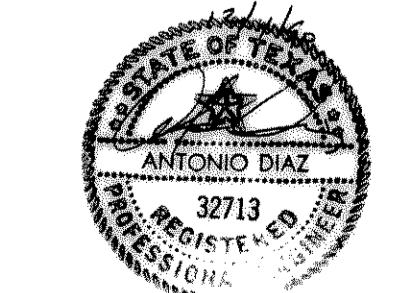


**SECTION 6**  
NOT TO SCALE

- NOTE: 1. CONTRACTOR TO VERIFY OPENINGS THROUGH SLAB FOR ELECTRICAL EQUIPMENT WITH MANUFACTURER.  
2. ALL PIPE PENETRATIONS (FOR ELECTRICAL CONDUITS) SHALL BE ARRANGED TO PASS BETWEEN REINFORCING BARS WITHOUT CUTTING OR DISPLACING BARS.

**RECORD DRAWING**  
BASED ON INFORMATION  
SUPPLIED BY THE CONTRACTOR  
DATE: 10/2/92 BY: LDS

**Larry D. Schuelein**  
REGISTERED PROFESSIONAL ENGINEER  
42247  
11-19-90



THE SEAL APPEARING ON THIS DOCUMENT WAS AUTHORIZED BY LARRY D. SCHUELEIN, TEXAS P.E. No. 42247 ON NOV. 19, 1990

ACAD Ref 12 User: Hugo Trevino ROKDWC17.DWG OCT 2, 1992 8:15:12 A.M.

DESIGNED: _____	JOB NO. ROK89005	CITY OF ROCKWALL, TEXAS	STRUCTURAL	SHEET 17 OF 39
DRAWN: _____	DATE 11/13/90	EASTSIDE PUMP STATION		
TRACED: _____	SCALE AS SHOWN	FREESE AND NICHOLS, INC. CONSULTING ENGINEERS FORT WORTH - ARLINGTON - AUSTIN, TEXAS	PUMP STATION-PLAN AND SECTIONS	
CHECKED: _____				