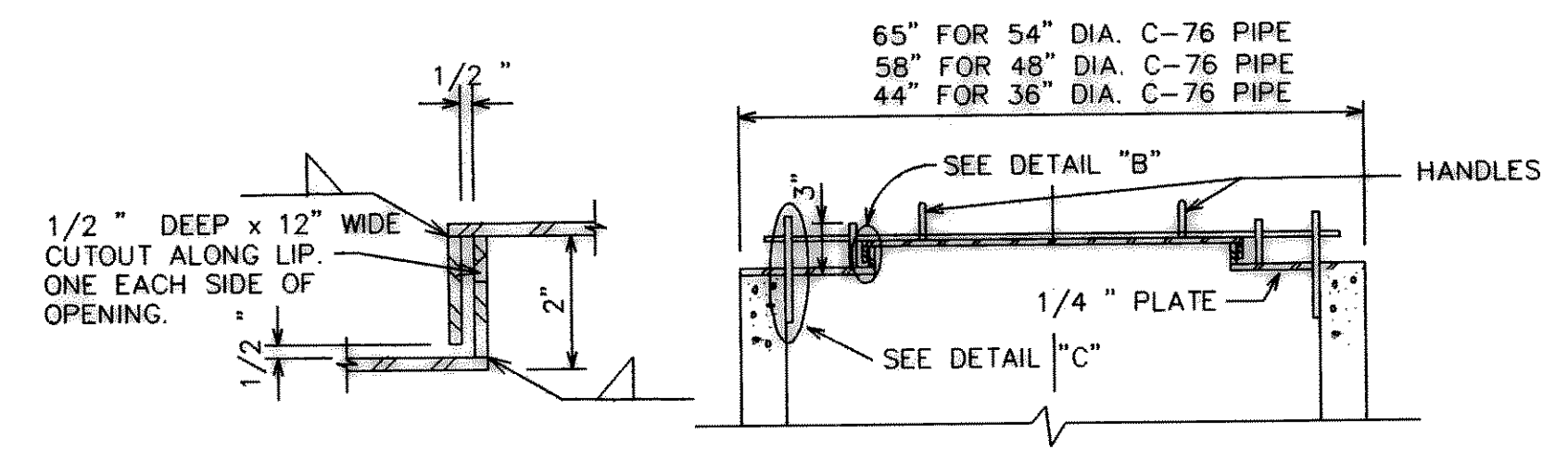


PLAN

PROVIDE ONE PADLOCK WITH EACH COVER. PADLOCK SHALL BE KEYPED TO MATCH OWNER'S LOCKS.

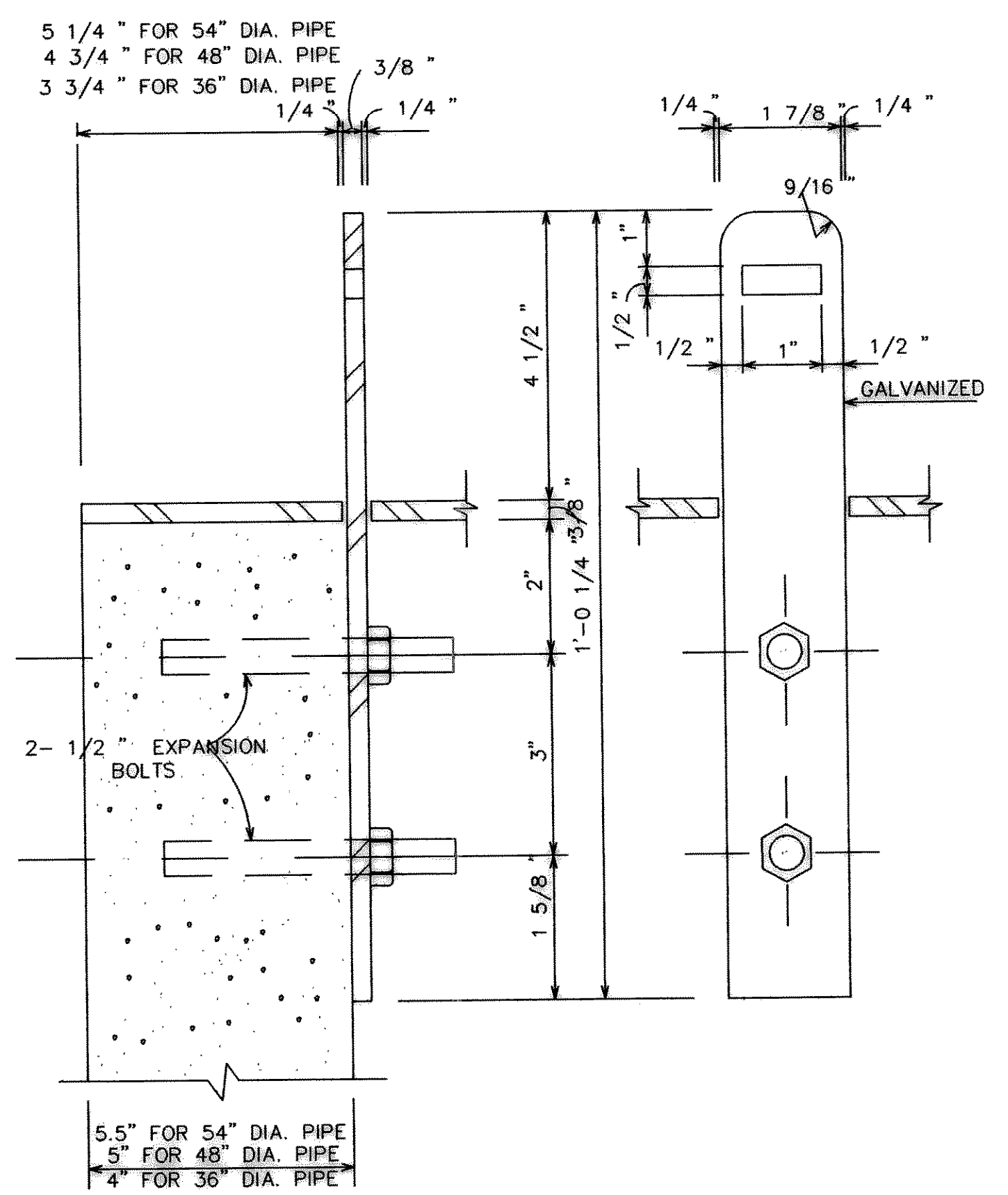


DETAIL "B"
NOT TO SCALE

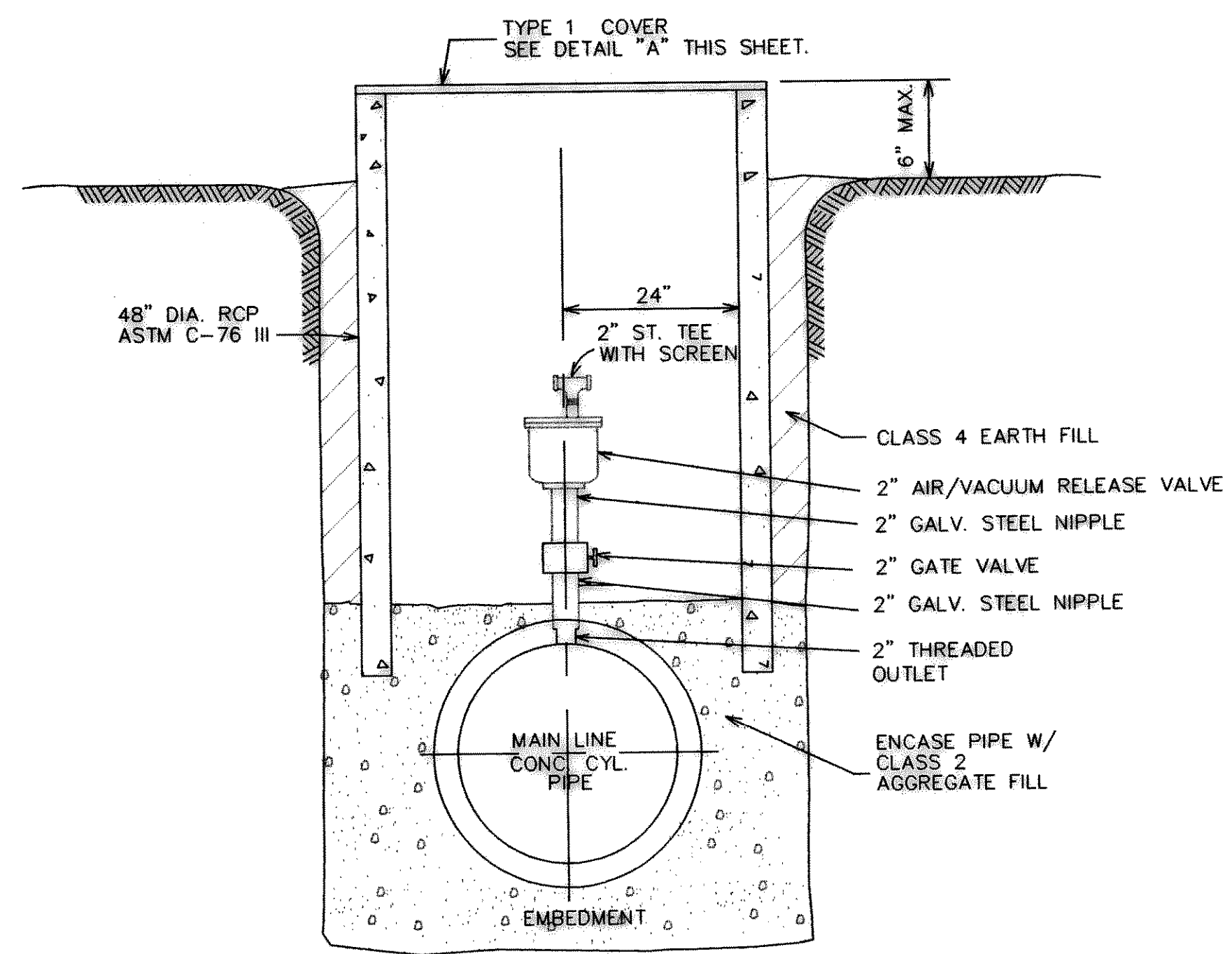
SECTION

TYPE I MANHOLE COVER - DETAIL "A"

NOT TO SCALE



DETAIL "C"



TYPICAL - AIR & VACUUM RELEASE VALVE

NOT TO SCALE

RECORD DRAWING
 BASED ON INFORMATION
 SUPPLIED BY THE CONTRACTOR
 DATE: 10/2/92 BY: LDS



THE SEAL APPEARING ON THIS DOCUMENT WAS AUTHORIZED BY LARRY D. SCHUELEIN, TEXAS P.E. No. 42247 ON NOV. 19, 1990

11-19-90

ACAD: Rel 12 User: Hugo Trevino
 ROCKWALL.DWG
 OCT 1, 1992 11:38:12 A.M.

DATE	REVISION	DESIGNED:	JOB NO. ROK89005
		DRAWN:	DATE 11/19/90
		TRACED:	SCALE AS SHOWN
		CHECKED:	

FREESE AND NICHOLS, INC.
 CONSULTING ENGINEERS
 FORT WORTH - ARLINGTON - AUSTIN, TEXAS

CITY OF ROCKWALL, TEXAS
 EASTSIDE PUMP STATION

MECHANICAL
 PIPELINE AIR/VACUUM VALVE DETAILS

SHEET
 15 OF 39