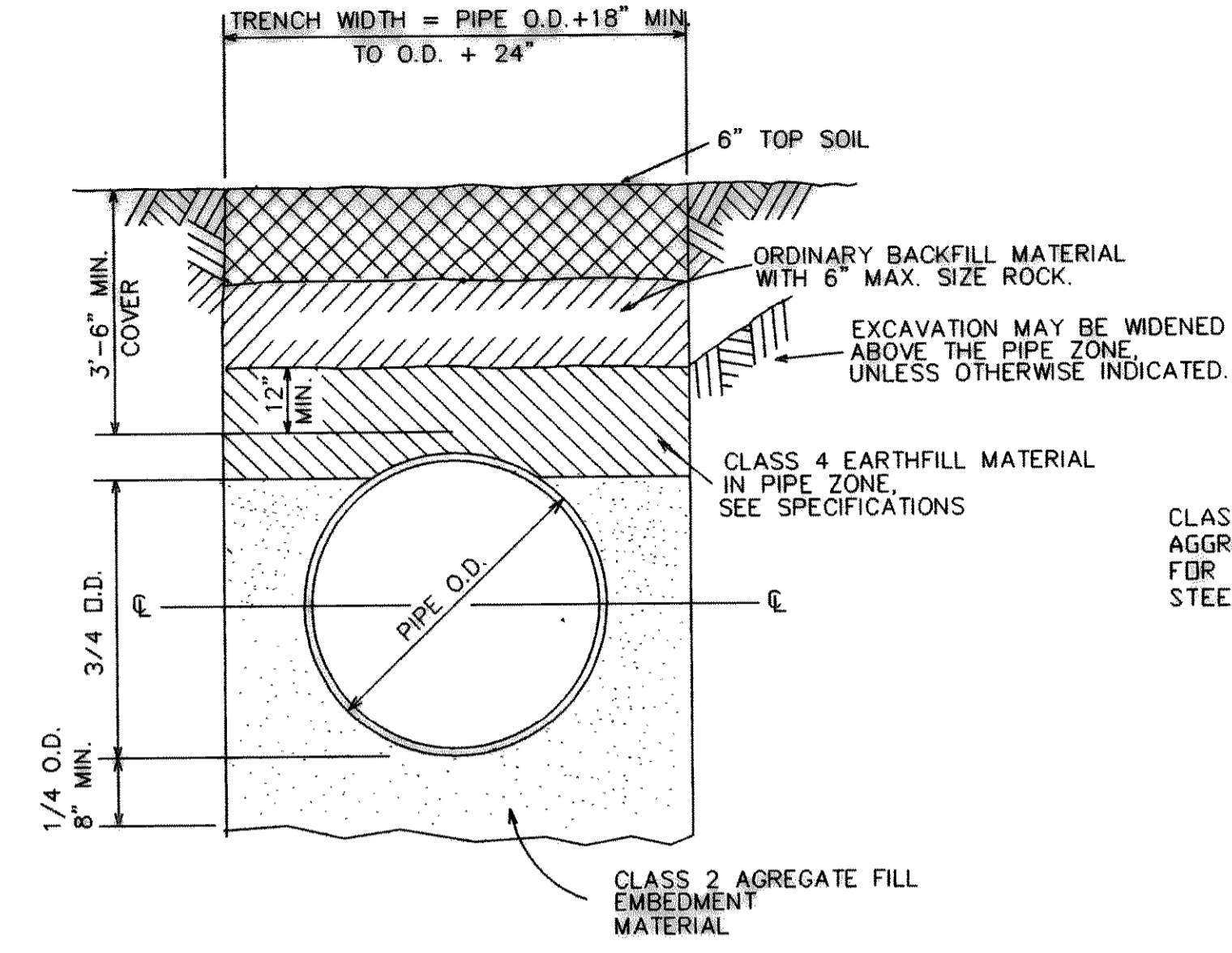
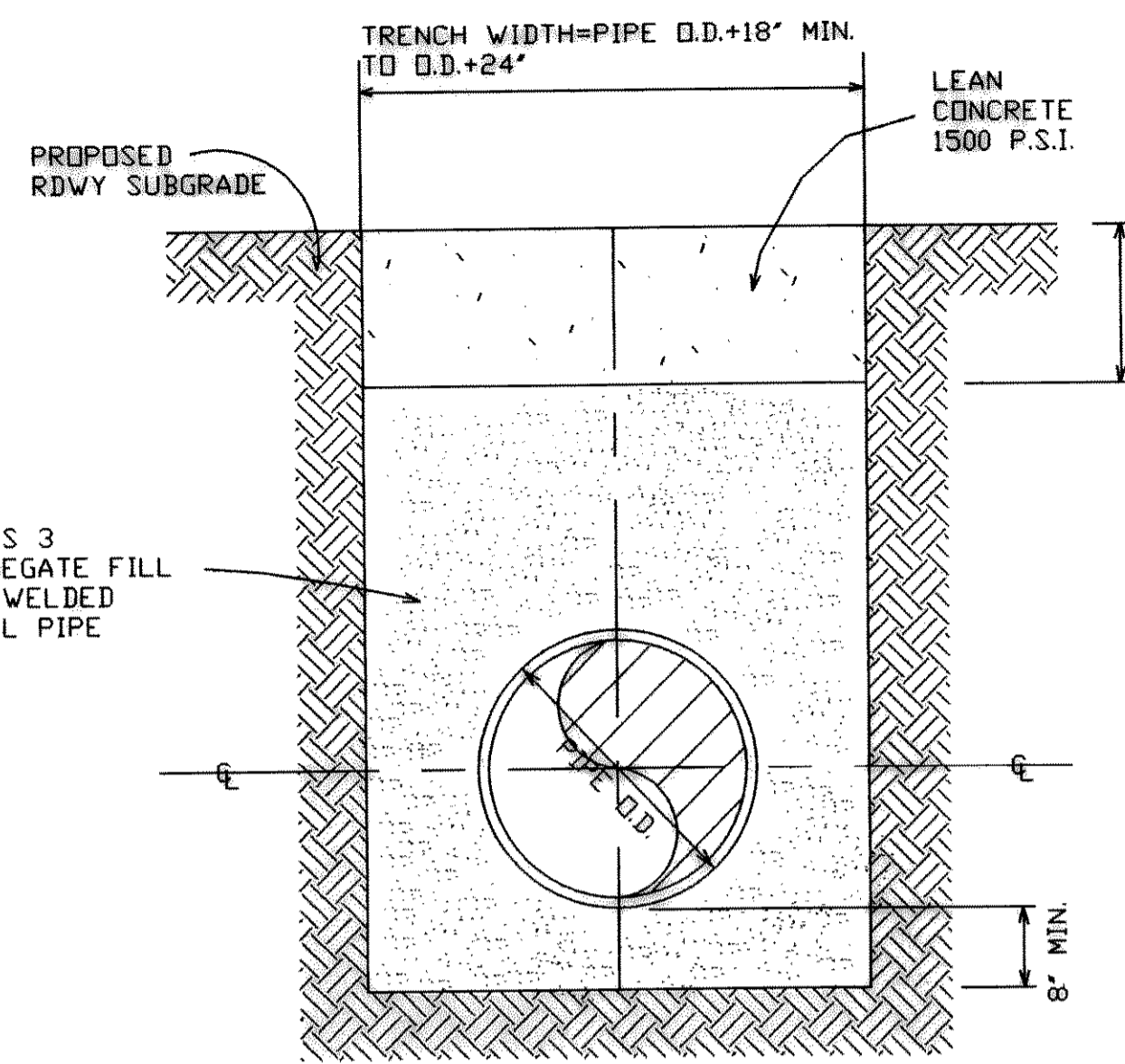


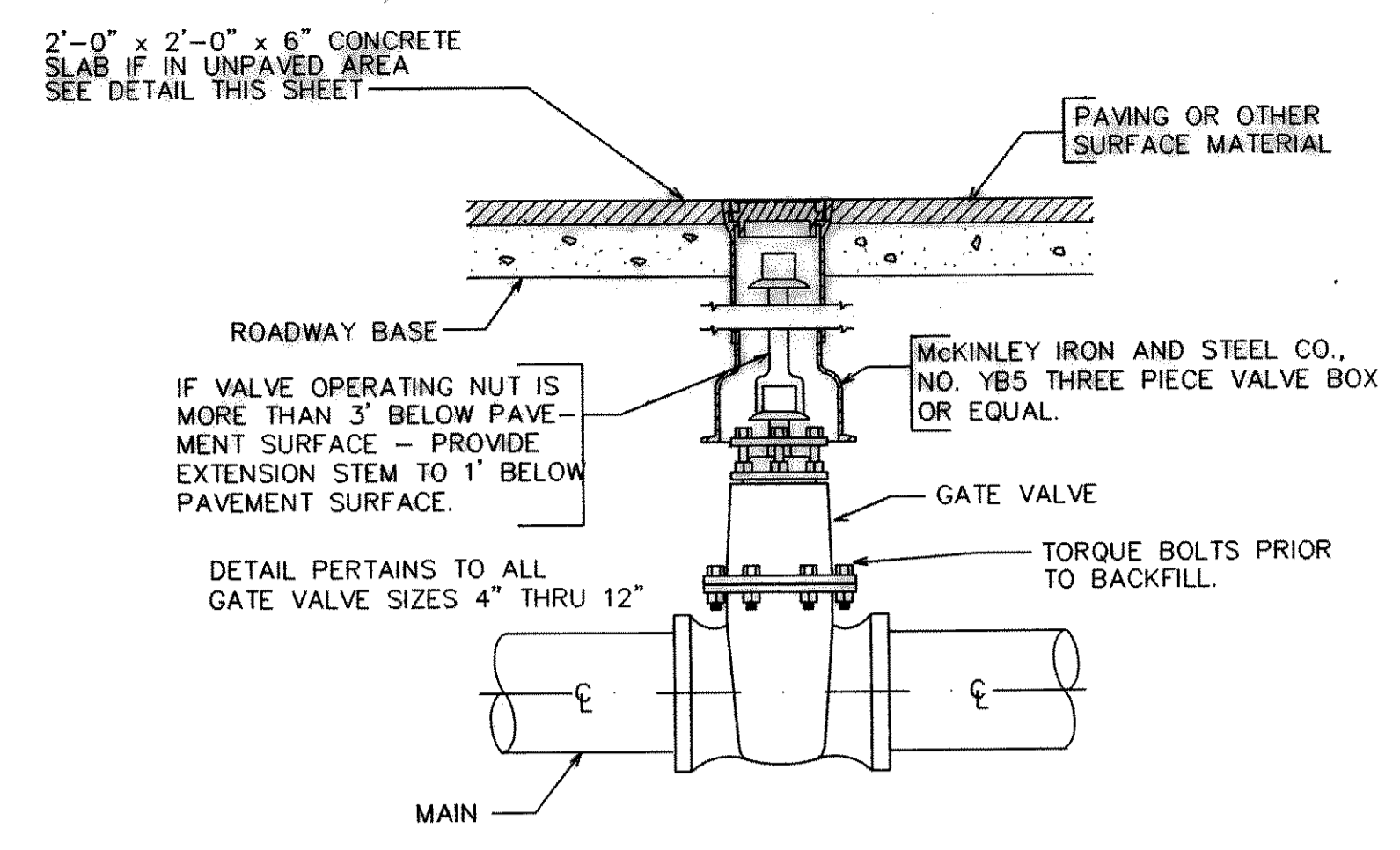
TYPICAL TRENCH SECTION FOR 36" AND SMALLER PRETENSIONED CONCRETE CYLINDER PIPE
NOT TO SCALE



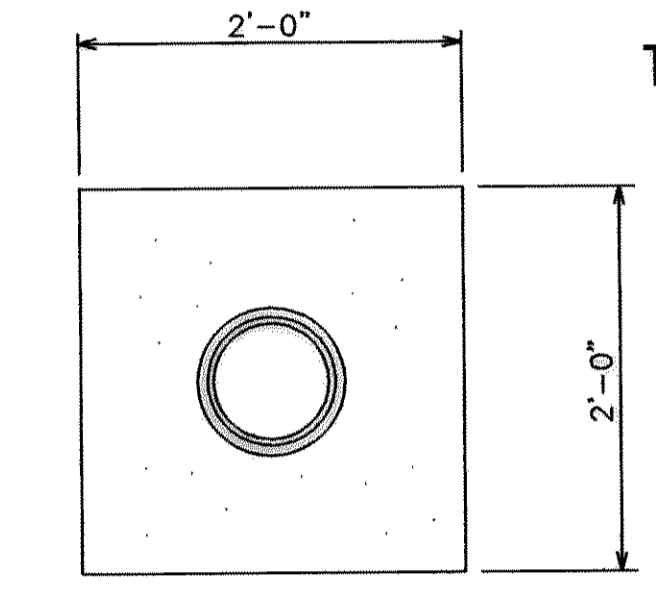
TYPICAL TRENCH SECTION FOR WELDED STEEL PIPE
NOT TO SCALE



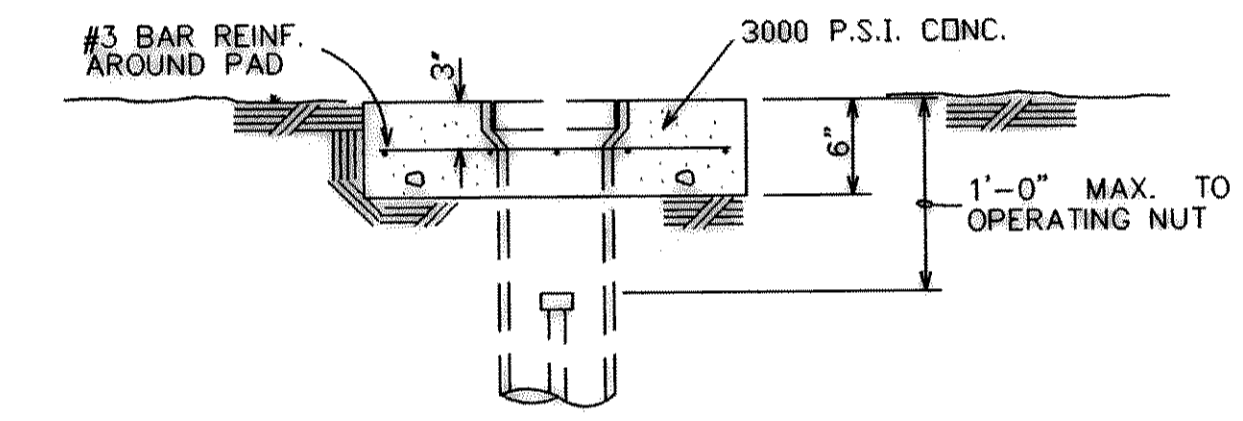
TYPICAL TRENCH SECTION FOR WELDED STEEL PIPE TO BE CONSTRUCTED UNDER PAVED ROADWAY
NOT TO SCALE



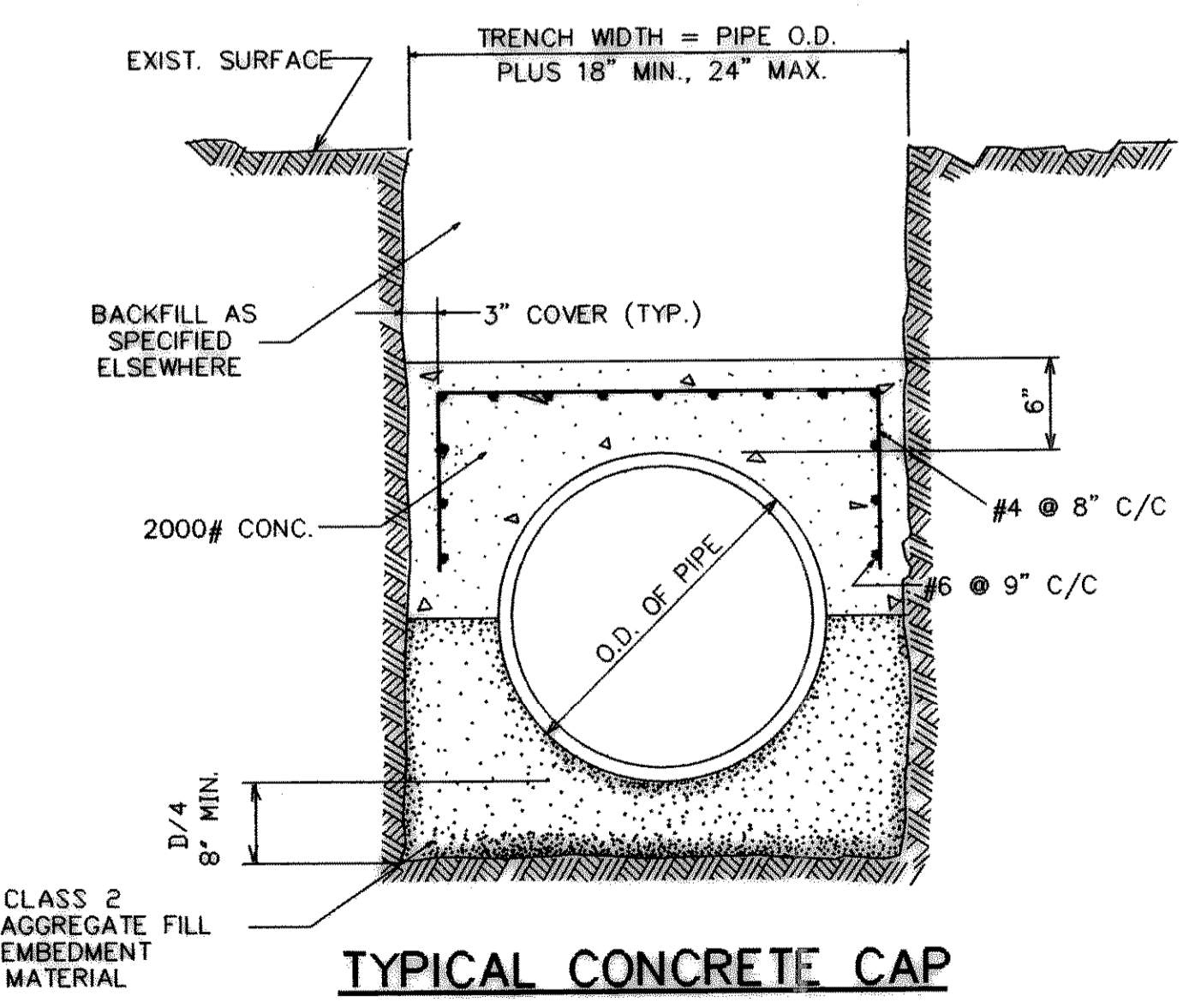
TYPICAL GATE VALVE AND BOX, EXTENSION STEM DETAIL
NOT TO SCALE



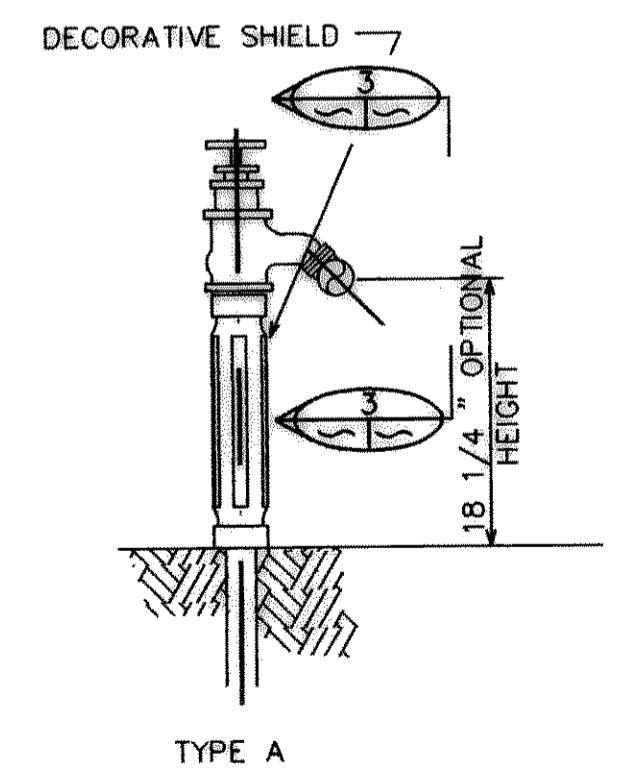
2' x 2' x 6" SLAB TO BE INSTALLED AROUND VALVE BOXES.



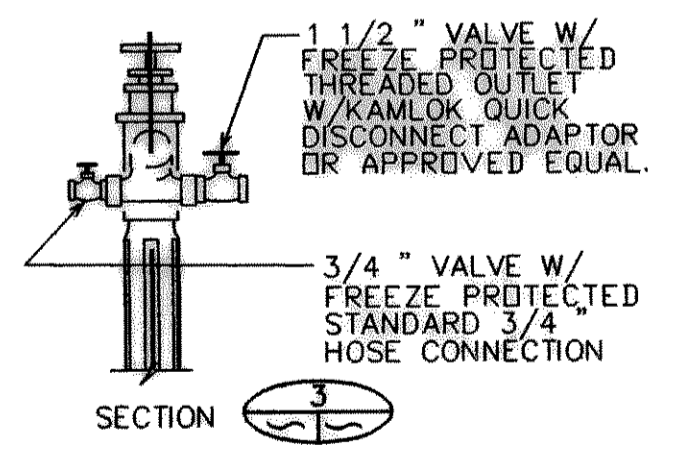
VALVE BOX SLAB
NOT TO SCALE



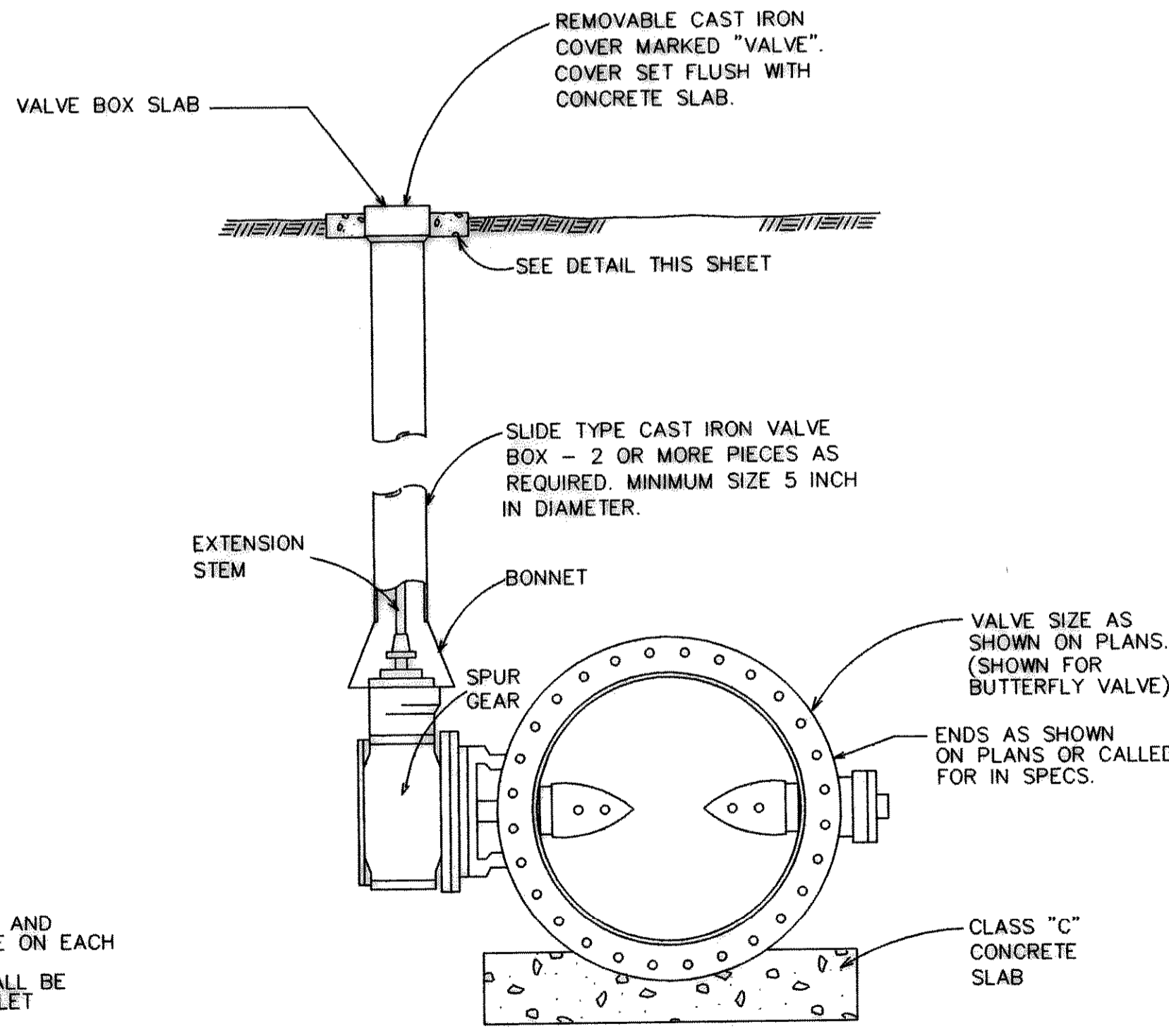
TYPICAL CONCRETE CAP
NOT TO SCALE



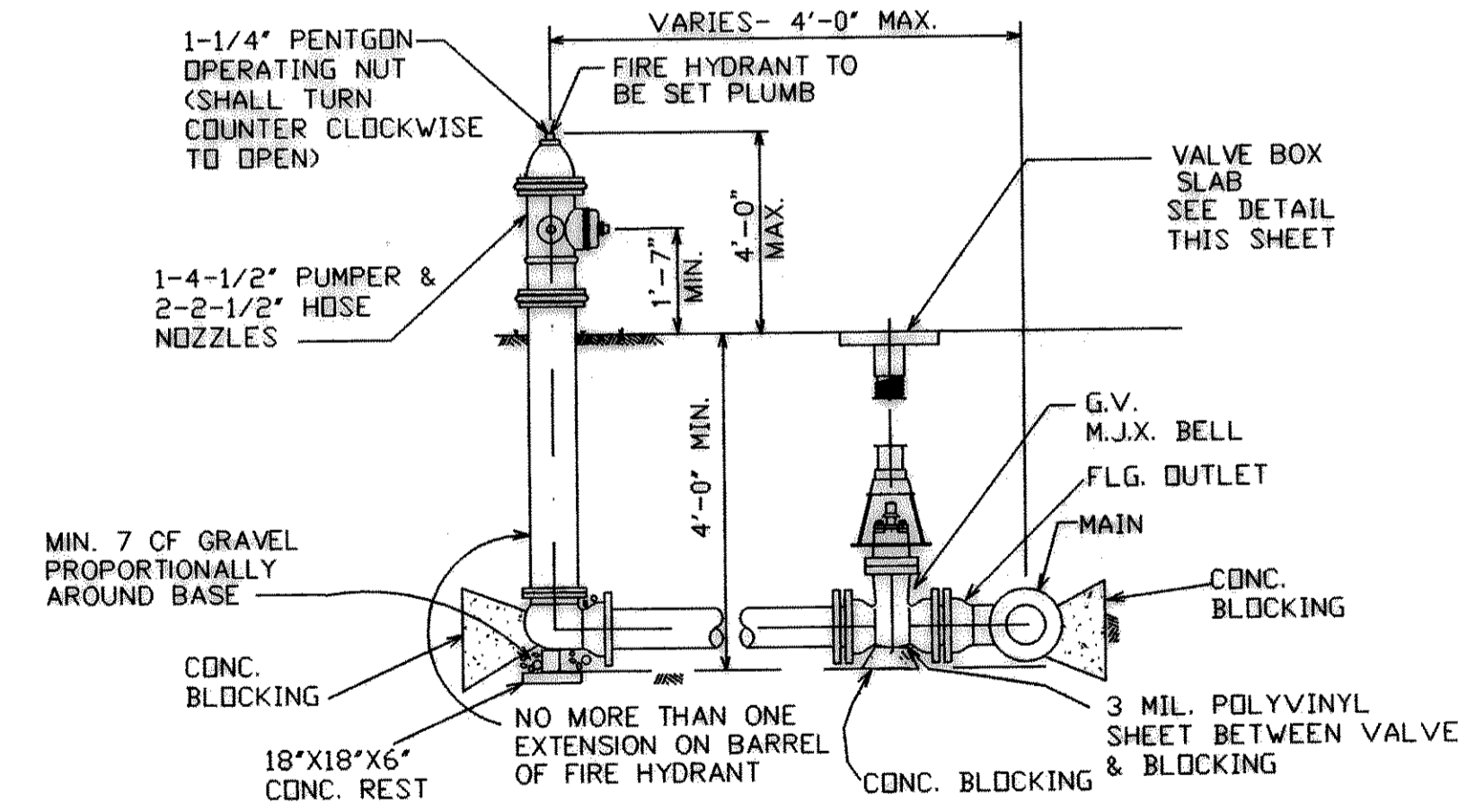
YARD HYDRANT
NOT TO SCALE



NOTE: CONTRACTOR SHALL PROVIDE A 3/4" AND 1 1/2" THREADED OUTLET AND VALVE ON EACH YARD HYDRANT IN ADDITION TO THE HYDRANT VALVE. YARD HYDRANT SHALL BE JOSAM 71700 SERIES WITH 1 1/2" INLET AND 3" BURY OR APPROVED EQUAL.



BURIED BUTTERFLY VALVE DETAIL
NOT TO SCALE



ELEVATION VIEW OF FIRE HYDRANT
NOT TO SCALE

RECORD DRAWING
BASED ON INFORMATION SUPPLIED BY THE CONTRACTOR
DATE: 10/2/92 BY: LDS



THE SEAL APPEARING ON THIS DOCUMENT WAS AUTHORIZED BY LARRY D. SCHUELEIN, TEXAS P.E. No. 42247 ON NOV. 19, 1990

User: Hugo Trevino
ACAD Ref 12
ROKDWG14.DWG
OCT 1, 1992
11:20:12 A.M.

DATE	REVISION	DESIGNED: _____	JOB NO. ROK89005	FREESE AND NICHOLS, INC. CONSULTING ENGINEERS FORT WORTH - ARLINGTON - AUSTIN, TEXAS	CITY OF ROCKWALL, TEXAS EASTSIDE PUMP STATION	MECHANICAL PIPELINE DETAILS	SHEET 14 OF 39
		DRAWN: _____	DATE 11/19/90				
		TRACED: _____	SCALE AS SHOWN				
		CHECKED: _____					