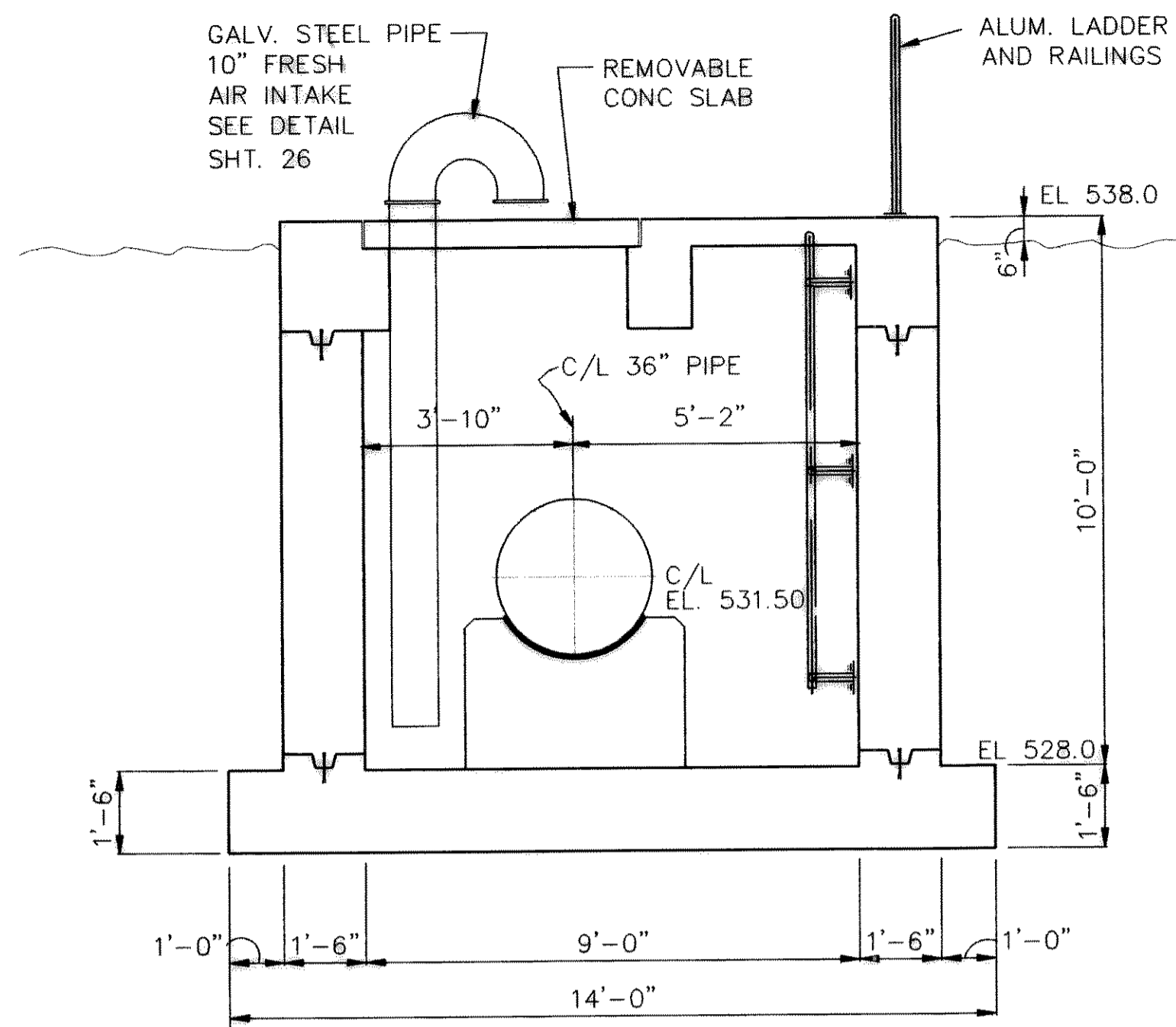
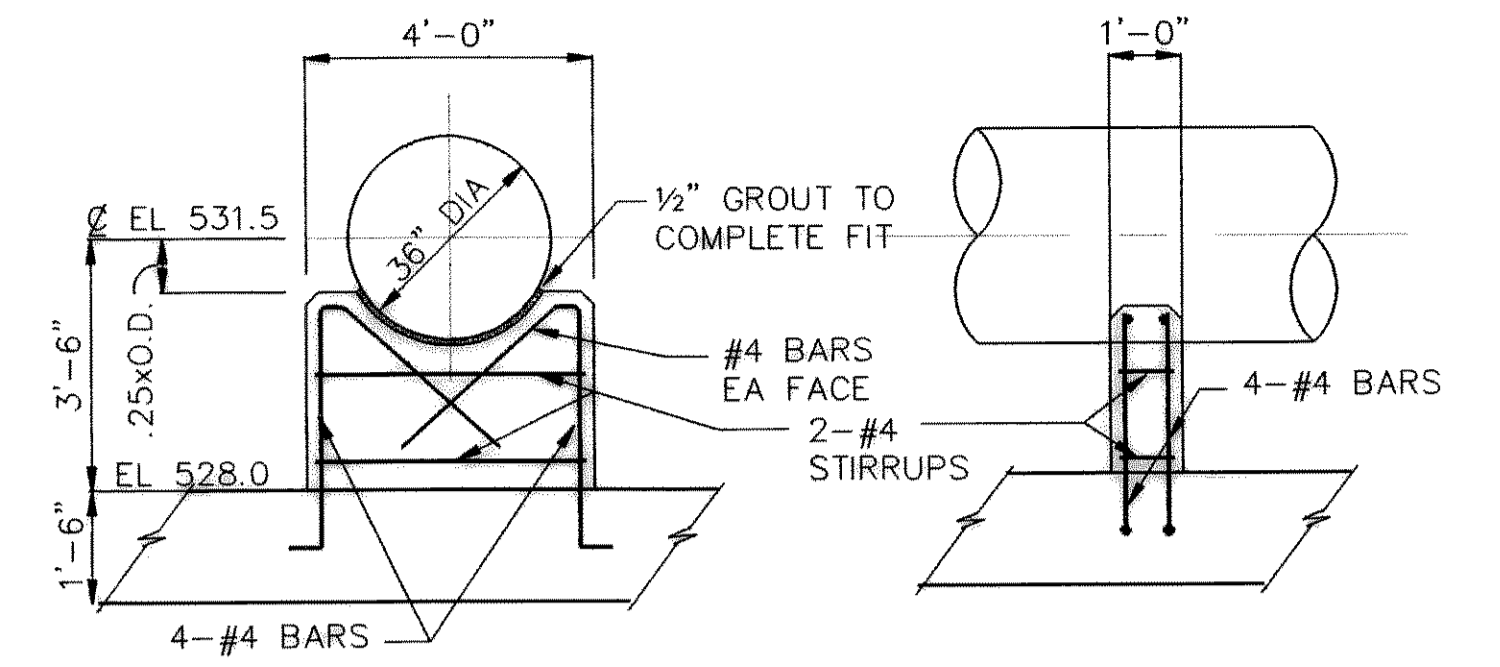


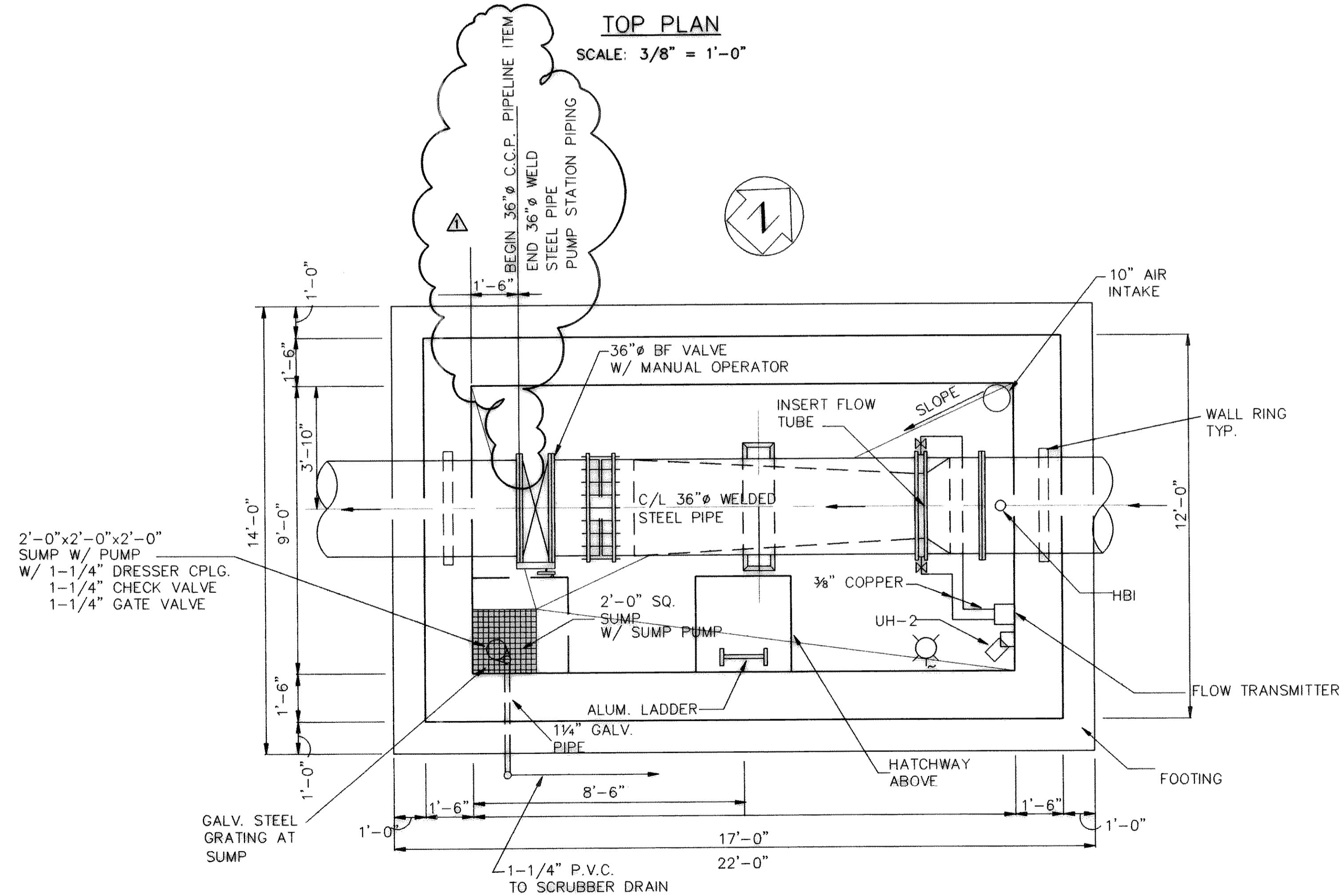
**TOP PLAN**  
SCALE: 3/8" = 1'-0"



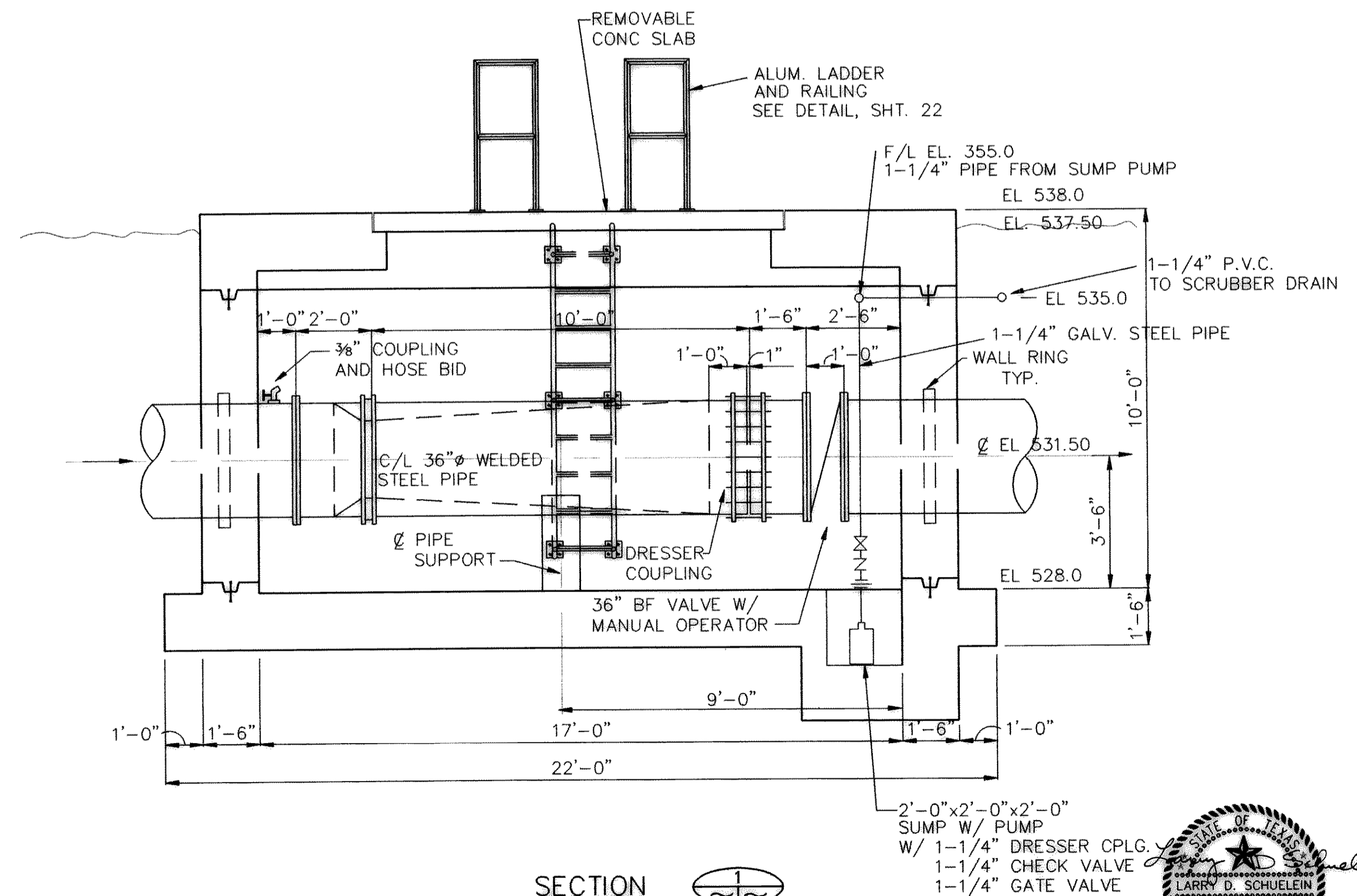
**SECTION**  
SCALE: 3/8" = 1'-0"



**PIPE SUPPORT DETAIL**  
SCALE: 3/8" = 1'-0"

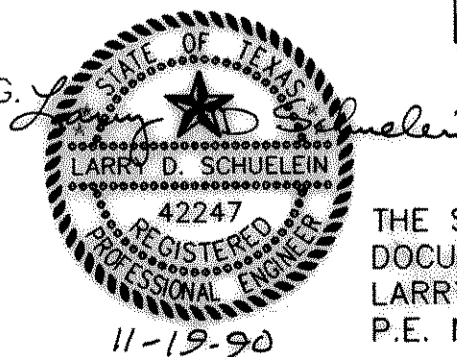


**SECTIONAL PLAN**  
SCALE: 3/8" = 1'-0"



**SECTION**  
SCALE: 3/8" = 1'-0"

**RECORD DRAWING**  
BASED ON INFORMATION  
SUPPLIED BY THE CONTRACTOR  
DATE: 10/2/92 BY: LDS



THE SEAL APPEARING ON THIS DOCUMENT WAS AUTHORIZED BY LARRY D. SCHUELEIN, TEXAS P.E. No. 42247 ON NOV. 19, 1990

10/2/92	REVISOR	DESIGNED:	JOB NO. ROK89005
		DRAWN:	DATE 11/19/90
		TRACED:	SCALE 3/8" = 1'-0"
		CHECKED:	

LDS	
BY	CHECKED:

FRESE AND NICHOLS, INC.	
CONSULTING ENGINEERS	
FORT WORTH - ARLINGTON - AUSTIN, TEXAS	

CITY OF ROCKWALL, TEXAS	
EASTSIDE PUMP STATION	

MECHANICAL	
FLOW METER VAULT	

SHEET
10 OF 39