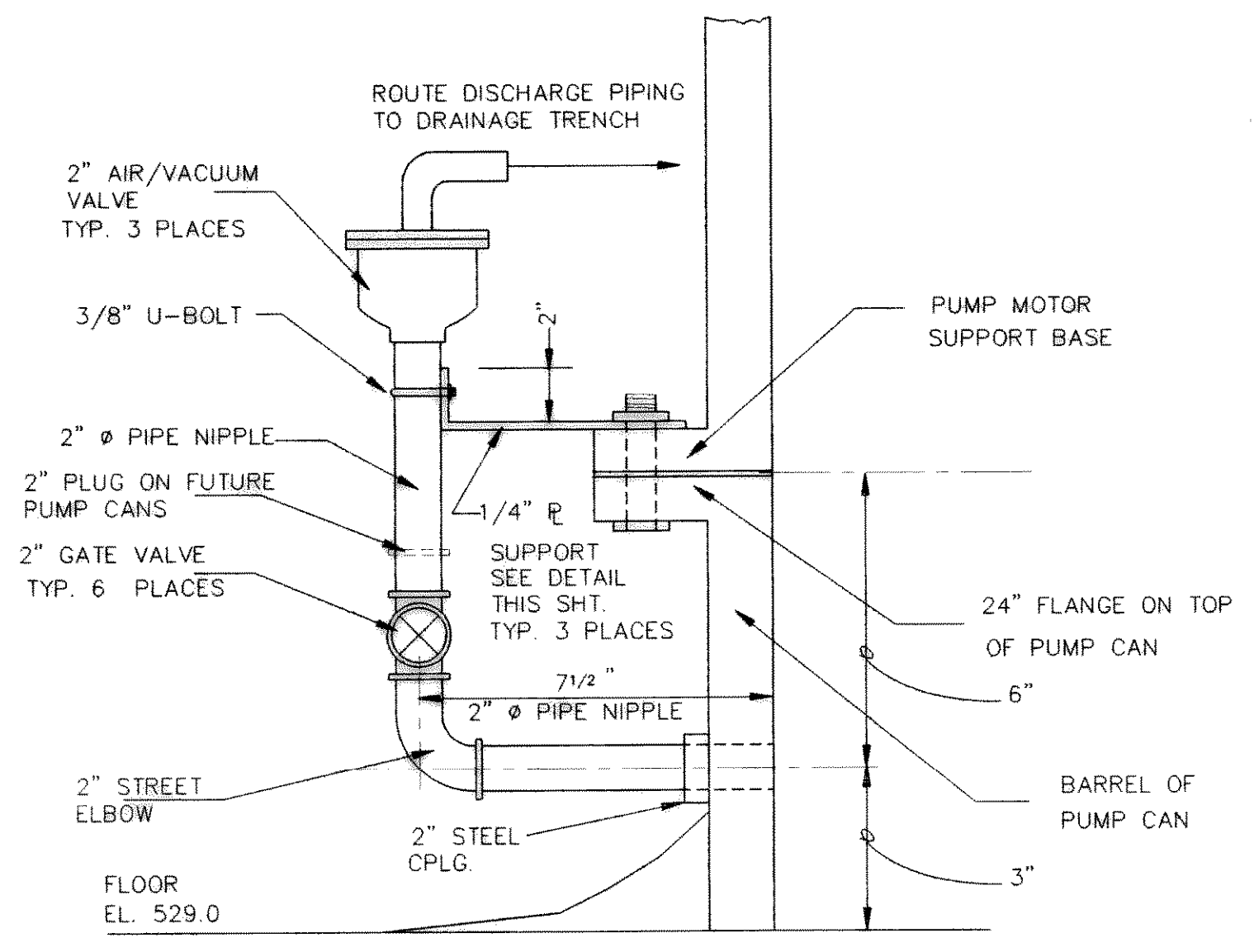
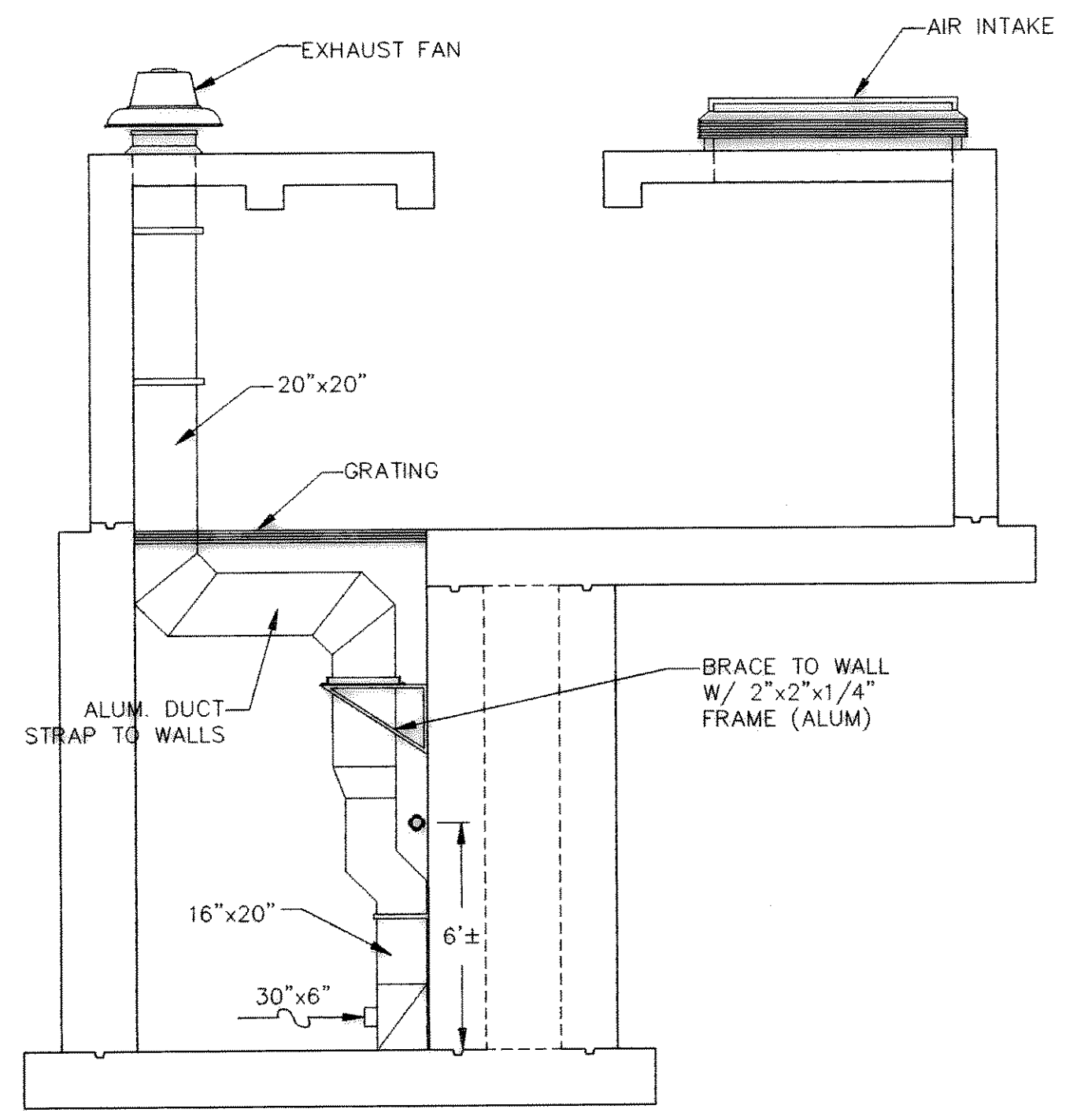


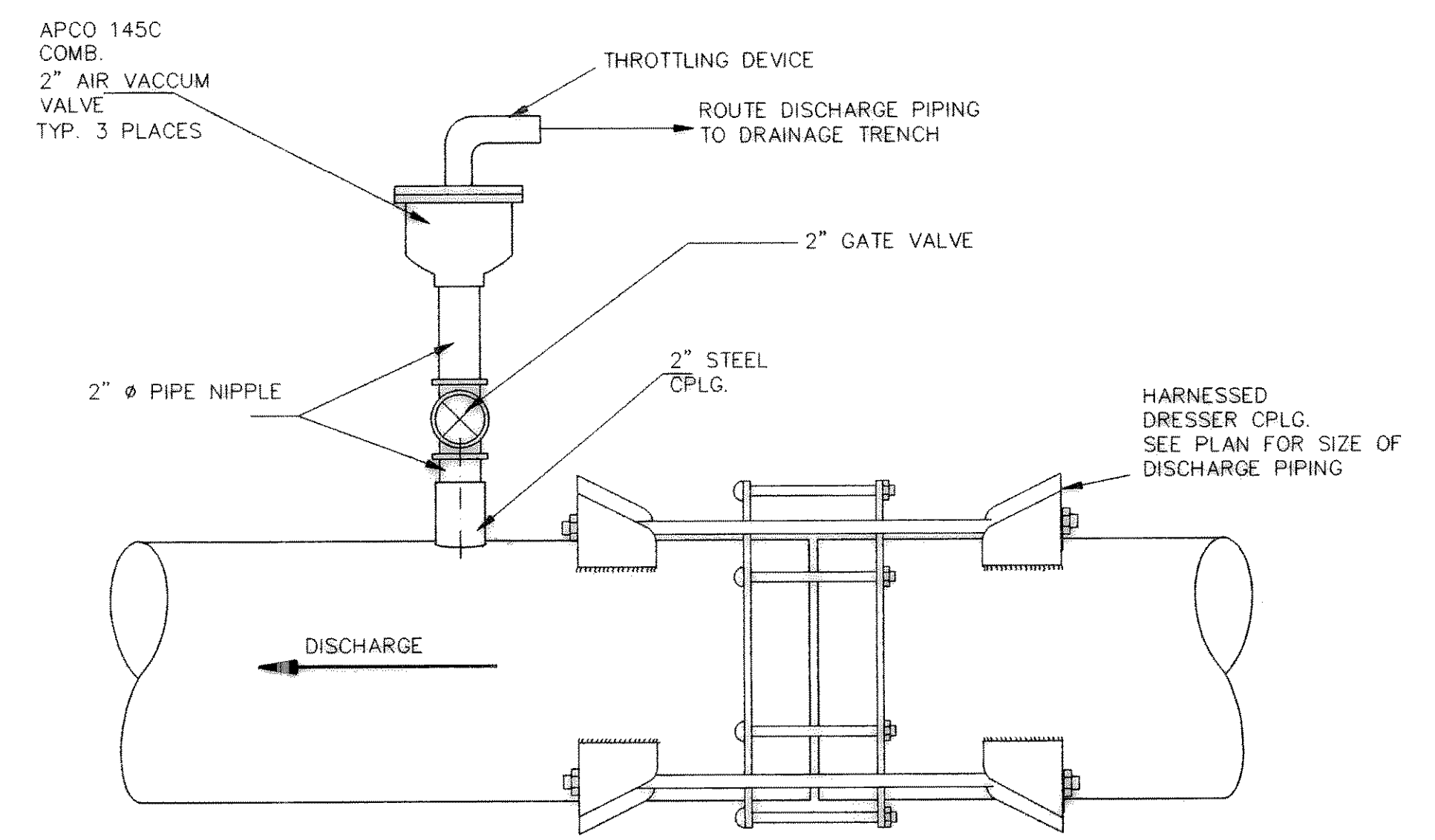
CHLORINE EJECTOR SECTION DETAIL
NOT TO SCALE



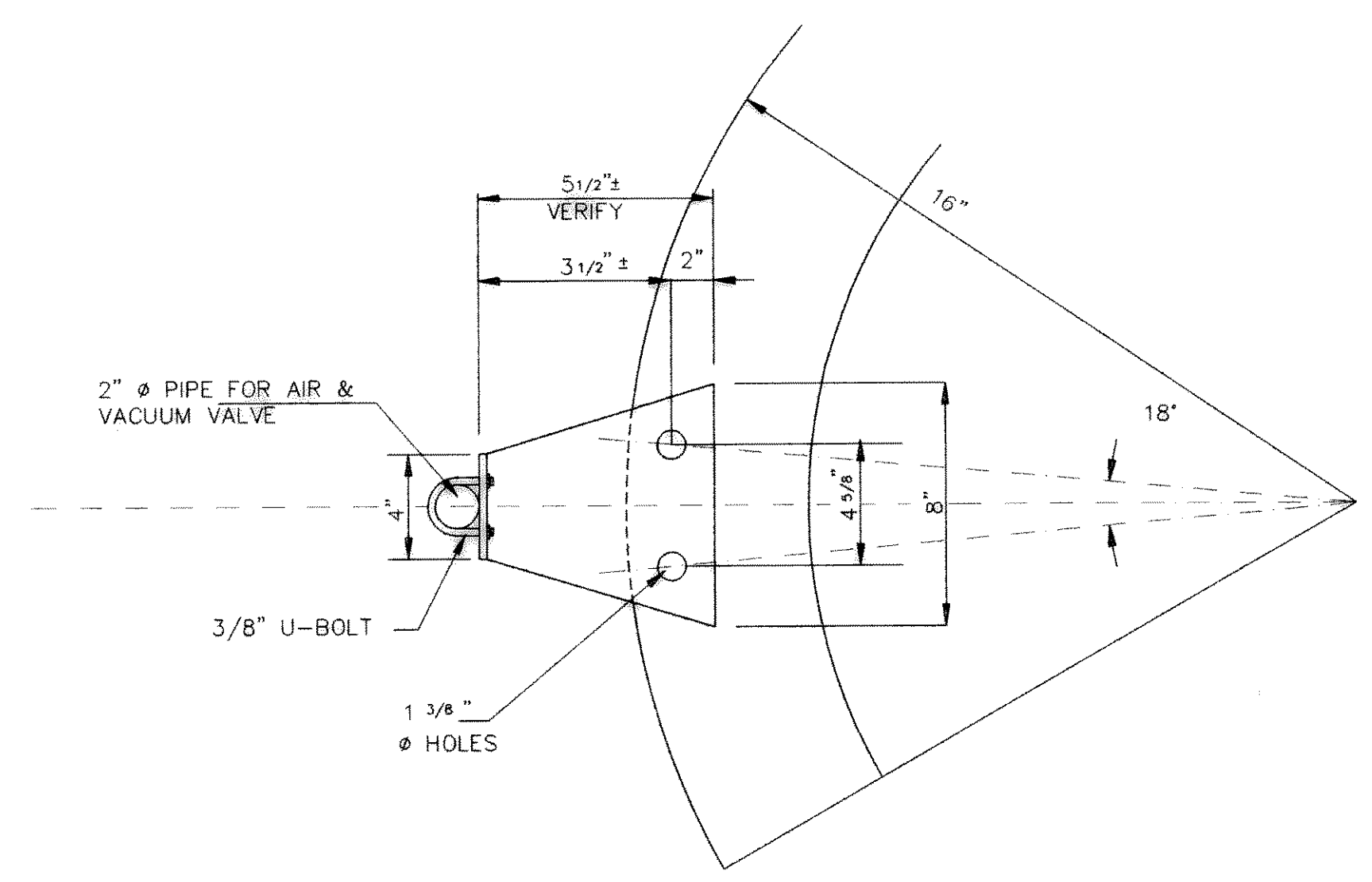
AIR/VACUUM VALVE DETAILS FOR PUMP CAN
NOT TO SCALE



SECTION 2
SCALE: 1/4" = 1'-0"



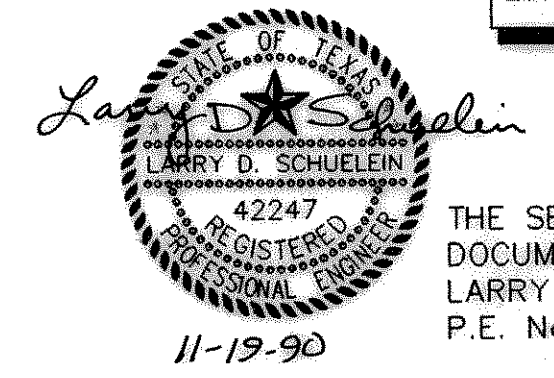
PUMP DISCHARGE AIR/VACUUM VALVE DETAIL
NOT TO SCALE



1/4" SUPPORT PLATE FOR AIR/VACUUM VALVE ASSEMBLY
NOT TO SCALE

DETAILS FOR AIR/VACUUM VALVES EACH PUMP CAN

RECORD DRAWING
BASED ON INFORMATION SUPPLIED BY THE CONTRACTOR
DATE: 10/2/92 BY: LDS



THE SEAL APPEARING ON THIS DOCUMENT WAS AUTHORIZED BY LARRY D. SCHUELEIN, TEXAS P.E. No. 42247 ON NOV. 19, 1990

ACAD, Rev. 12
ROKDWG09.DWG
OCT 1, 1992
User: Hugo Trevino
9:39:12 A.M.

DESIGNED:	JOB NO. ROK89005
DRAWN:	DATE 11/19/90
TRACED:	SCALE AS SHOWN
CHECKED:	

FRESE AND NICHOLS, INC.
CONSULTING ENGINEERS
FORT WORTH - ARLINGTON - AUSTIN, TEXAS

CITY OF ROCKWALL, TEXAS
EASTSIDE PUMP STATION

MECHANICAL
PUMP STATION MISC. DETAILS

SHEET
9 OF 39