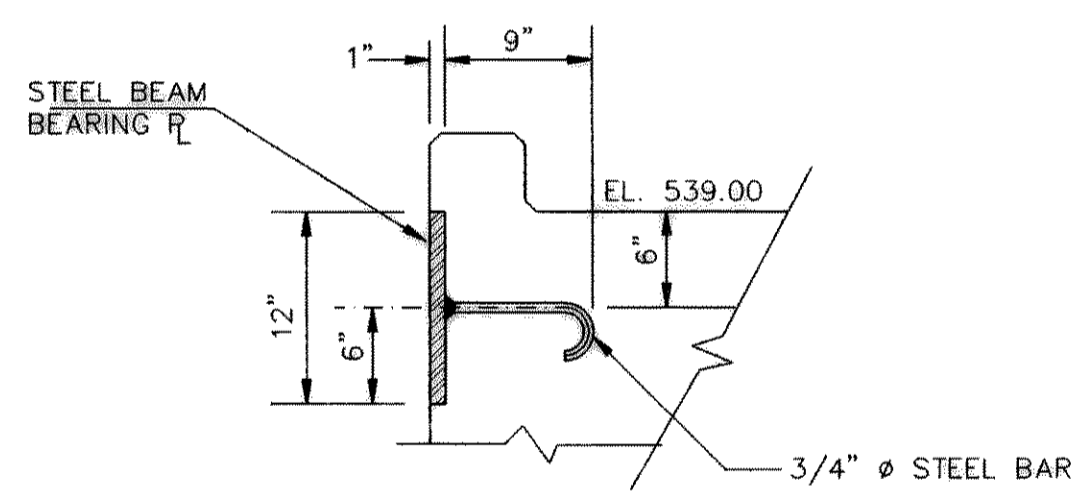
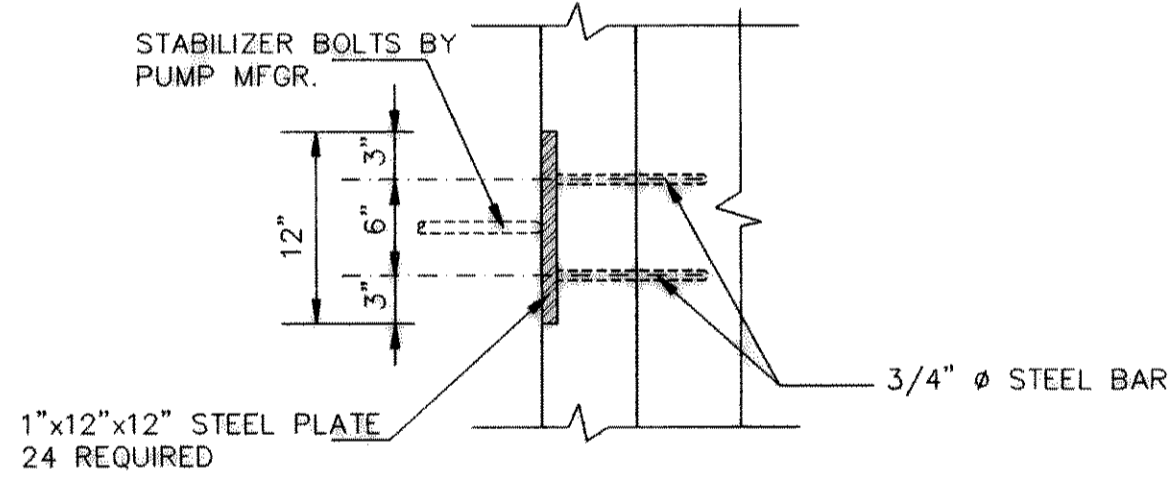


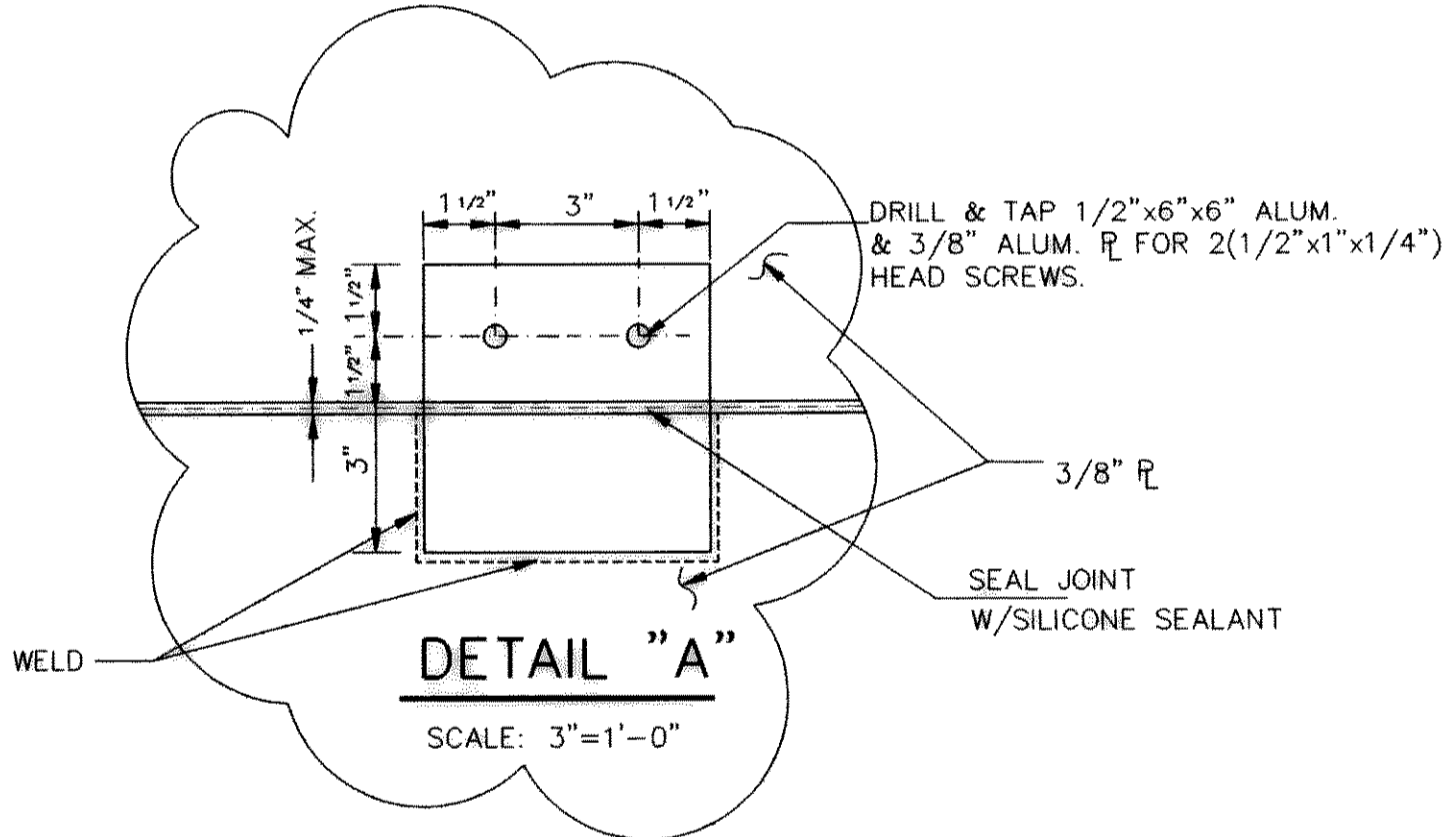
TOP PLAN
SCALE: 1/4"=1'-0"



ELEVATION

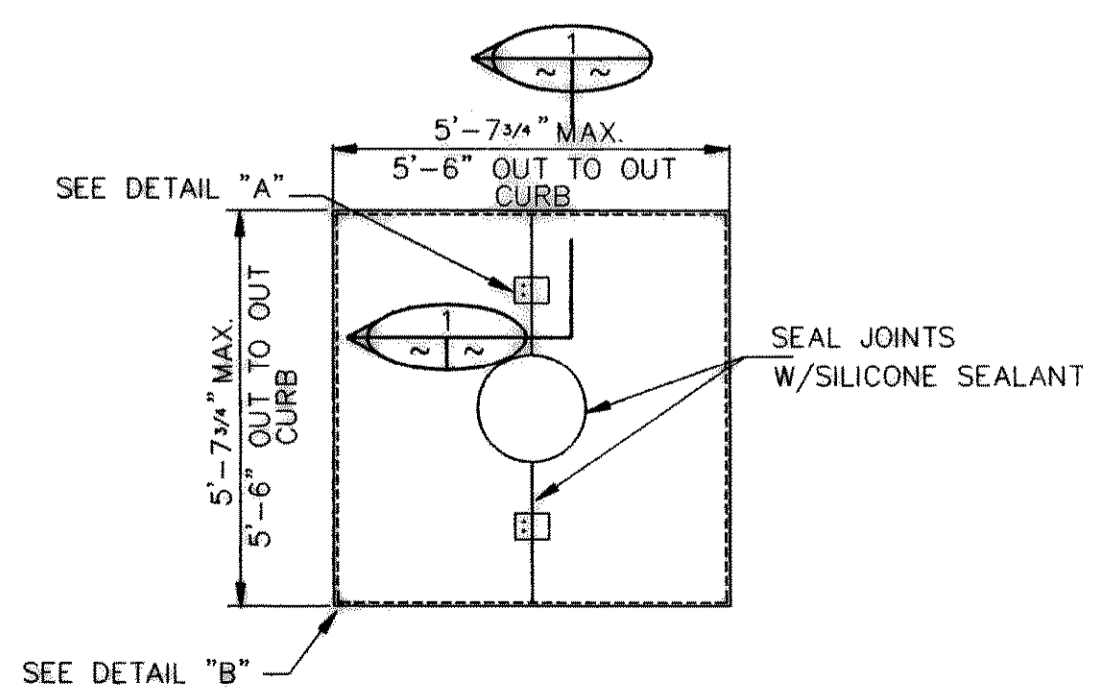


PLAN

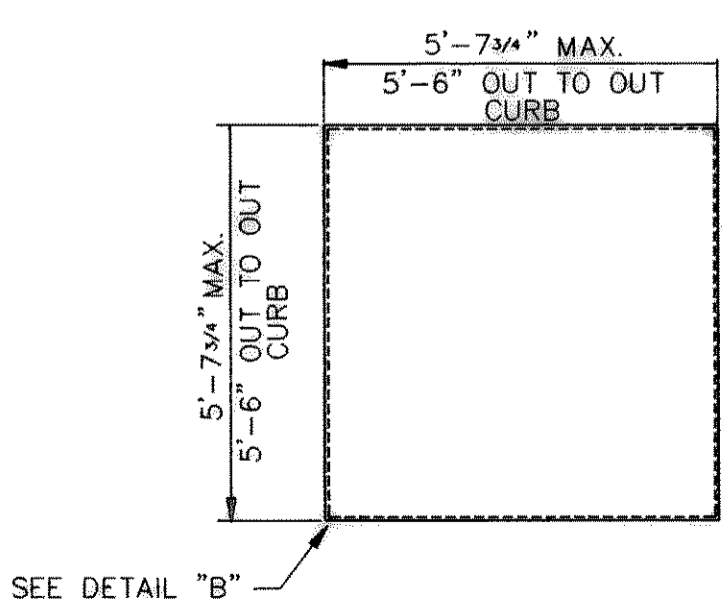


DETAIL "A"
SCALE: 3"=1'-0"

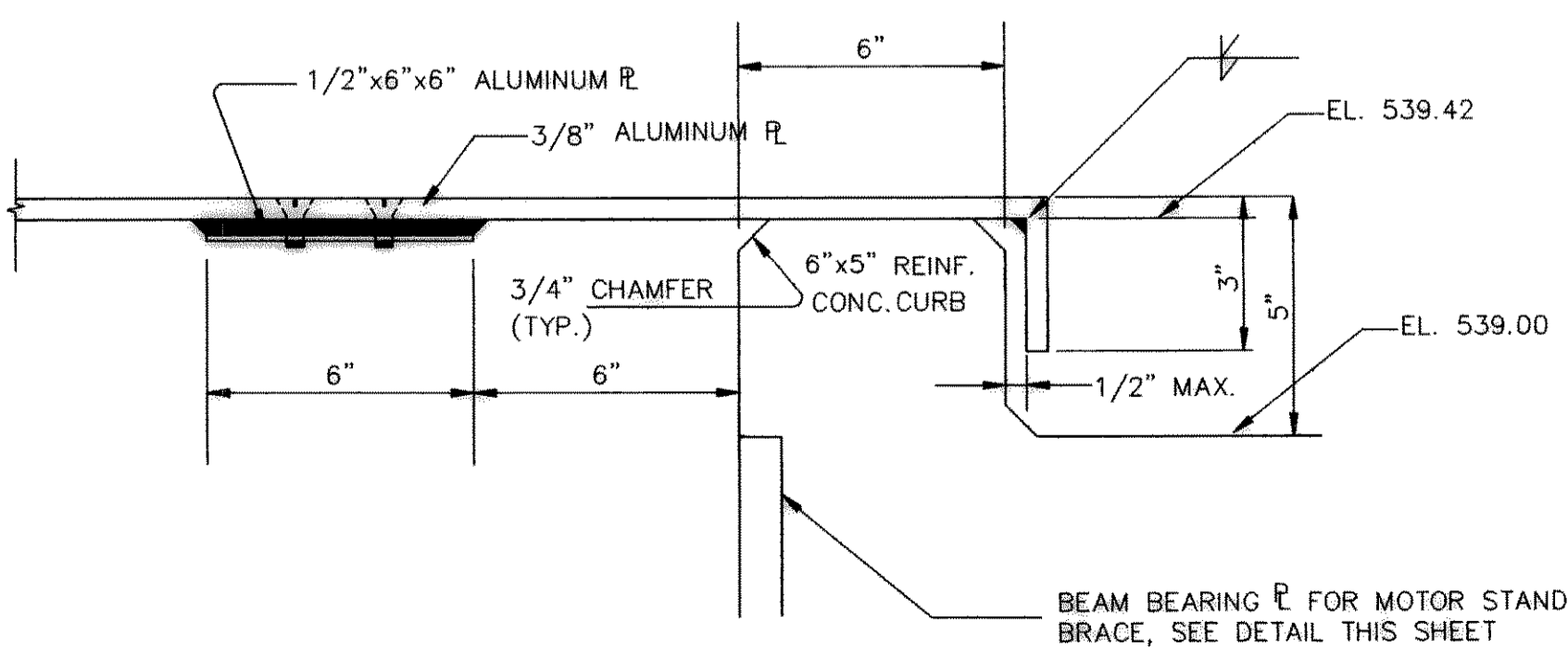
BEAM BEARING PLATE FOR MOTOR STAND BRACE
SCALE: 1"=1'-0"



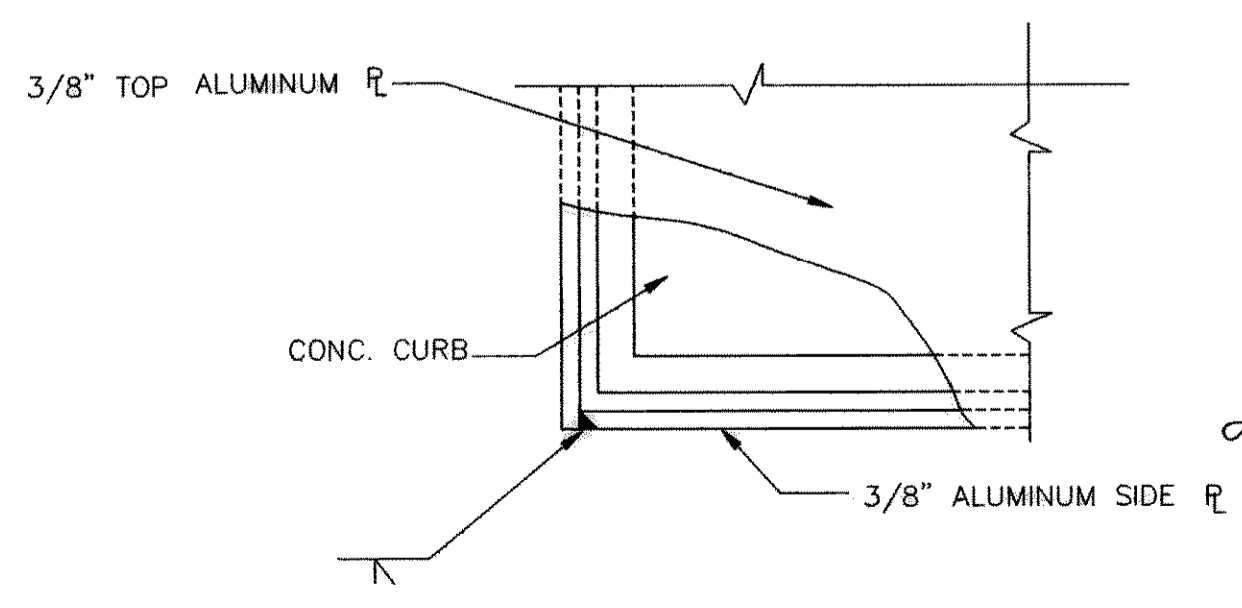
PLAN COVER PLATE
(3 SETS REQUIRED)
SCALE: 3/8"=1'-0"



PLAN FUTURE PUMP COVER PLATE
SCALE: 3/8"=1'-0"



SECTION
SCALE: 3"=1'-0"



DETAIL "B"
SCALE: 3"=1'-0"

RECORD DRAWING
BASED ON INFORMATION
SUPPLIED BY THE CONTRACTOR
DATE: 10/2/92 BY: LDS



THE SEAL APPEARING ON THIS DOCUMENT WAS AUTHORIZED BY LARRY D. SCHUELEIN, TEXAS P.E. No. 42247 ON NOV. 19, 1990

ACAD Ref 12
R0K007.DWG
SEP 30, 1992 3:48:31 P.M.
User: Hugo Trevino

DATE	REVISION	DESIGNED: _____	JOB NO. R0K89005	FREESE AND NICHOLS, INC. CONSULTING ENGINEERS FORT WORTH - ARLINGTON - AUSTIN, TEXAS	CITY OF ROCKWALL, TEXAS EASTSIDE PUMP STATION	MECHANICAL PUMP STATION-PLAN AND DETAILS	SHEET
		DRAWN: _____	DATE 11/19/90				7 OF 39
		CHECKED: _____	SCALE AS SHOWN				