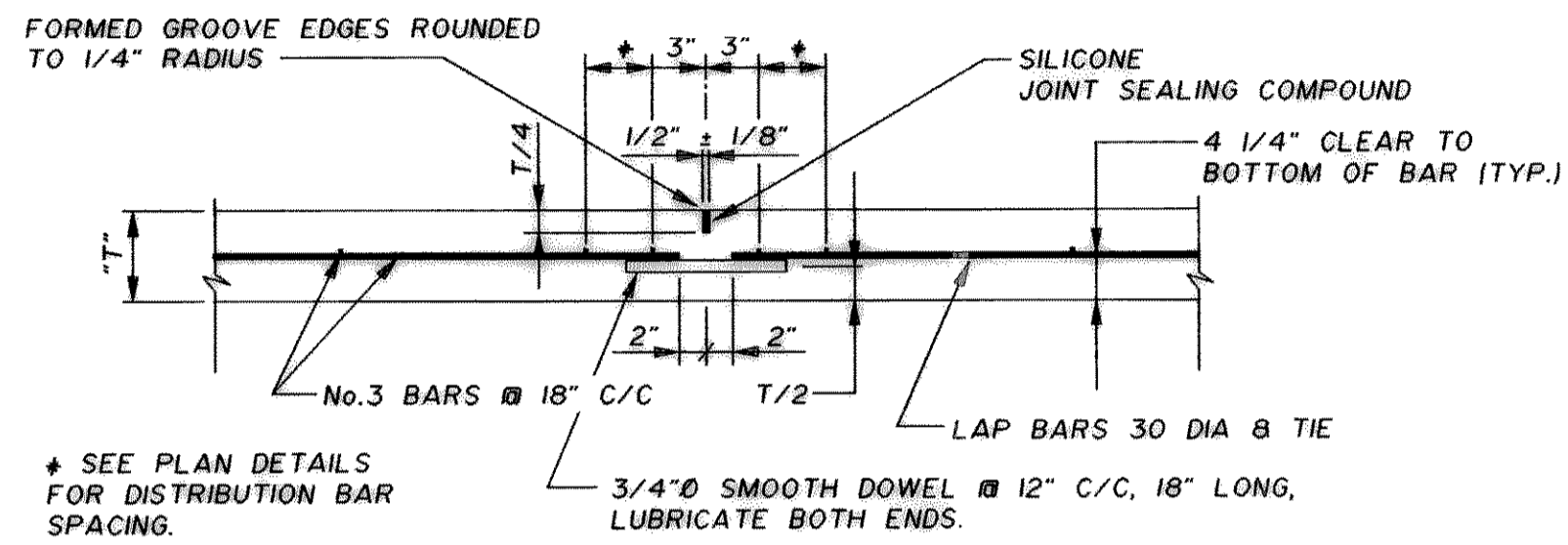


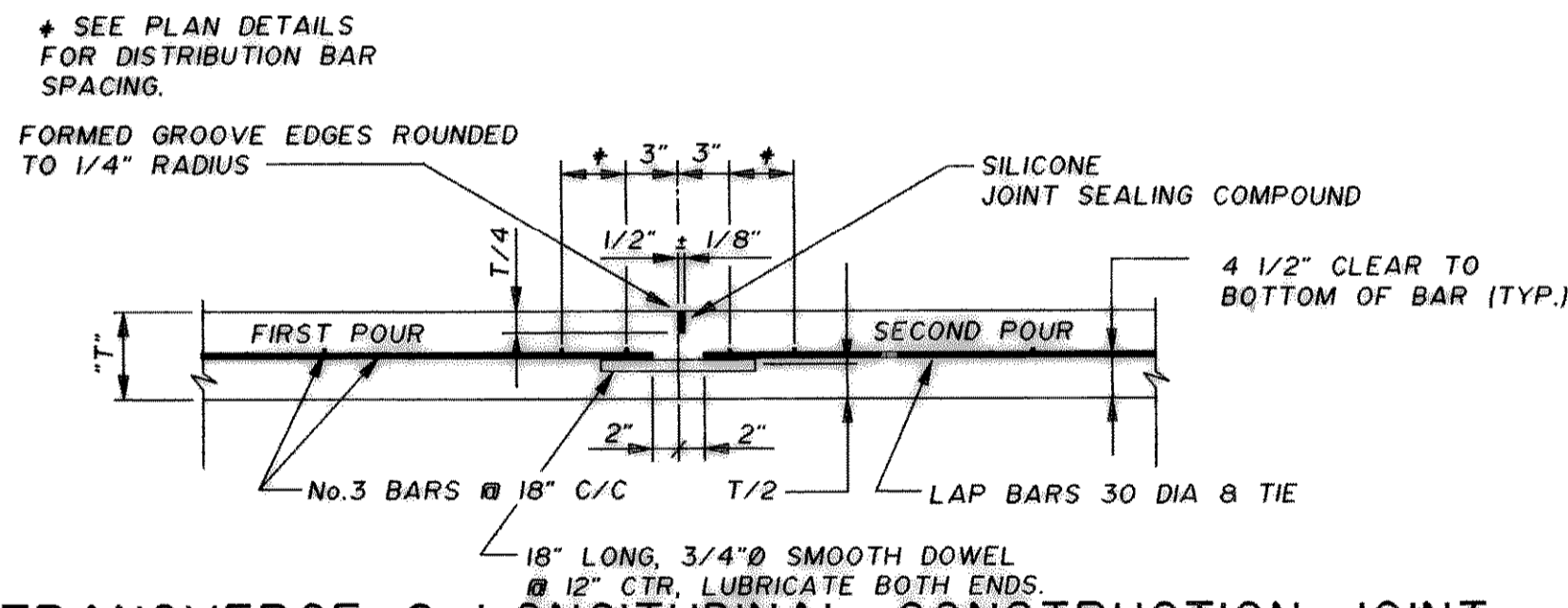
NOTE: "T" = 6"
**LONGITUDINAL OR TRANSVERSE
 (SAWED DUMMY JOINTS)**

NOT TO SCALE



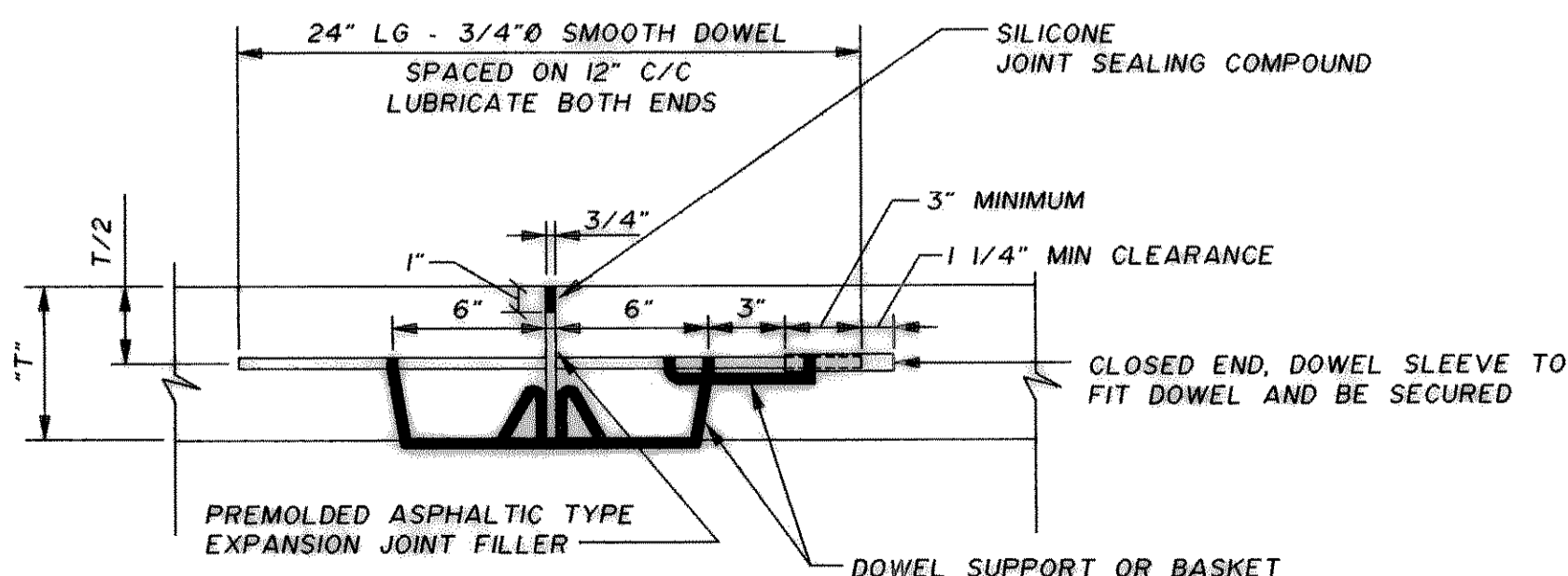
TRANSVERSE CONTRACTION JOINT

NOT TO SCALE



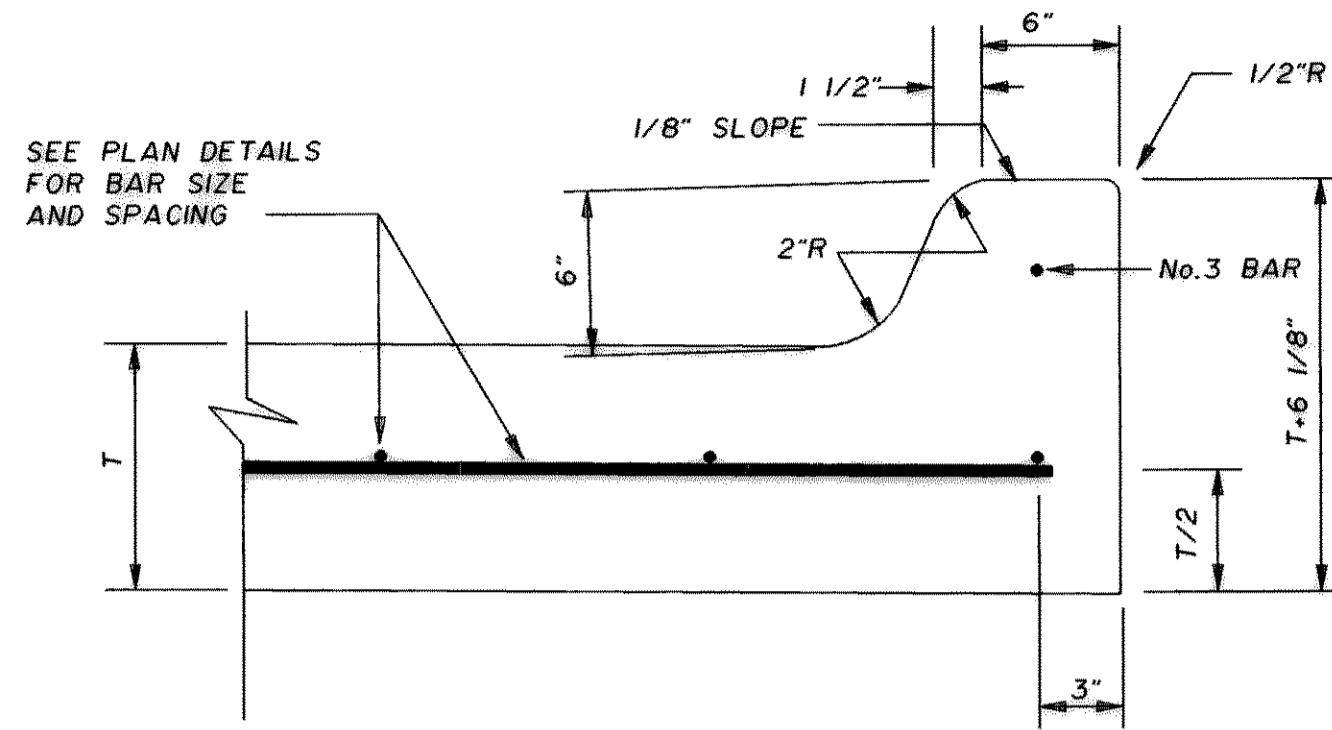
**TRANSVERSE & LONGITUDINAL CONSTRUCTION JOINT
 (PLANNED - USED AT NORMAL JOINT SPACINGS)**

NOT TO SCALE



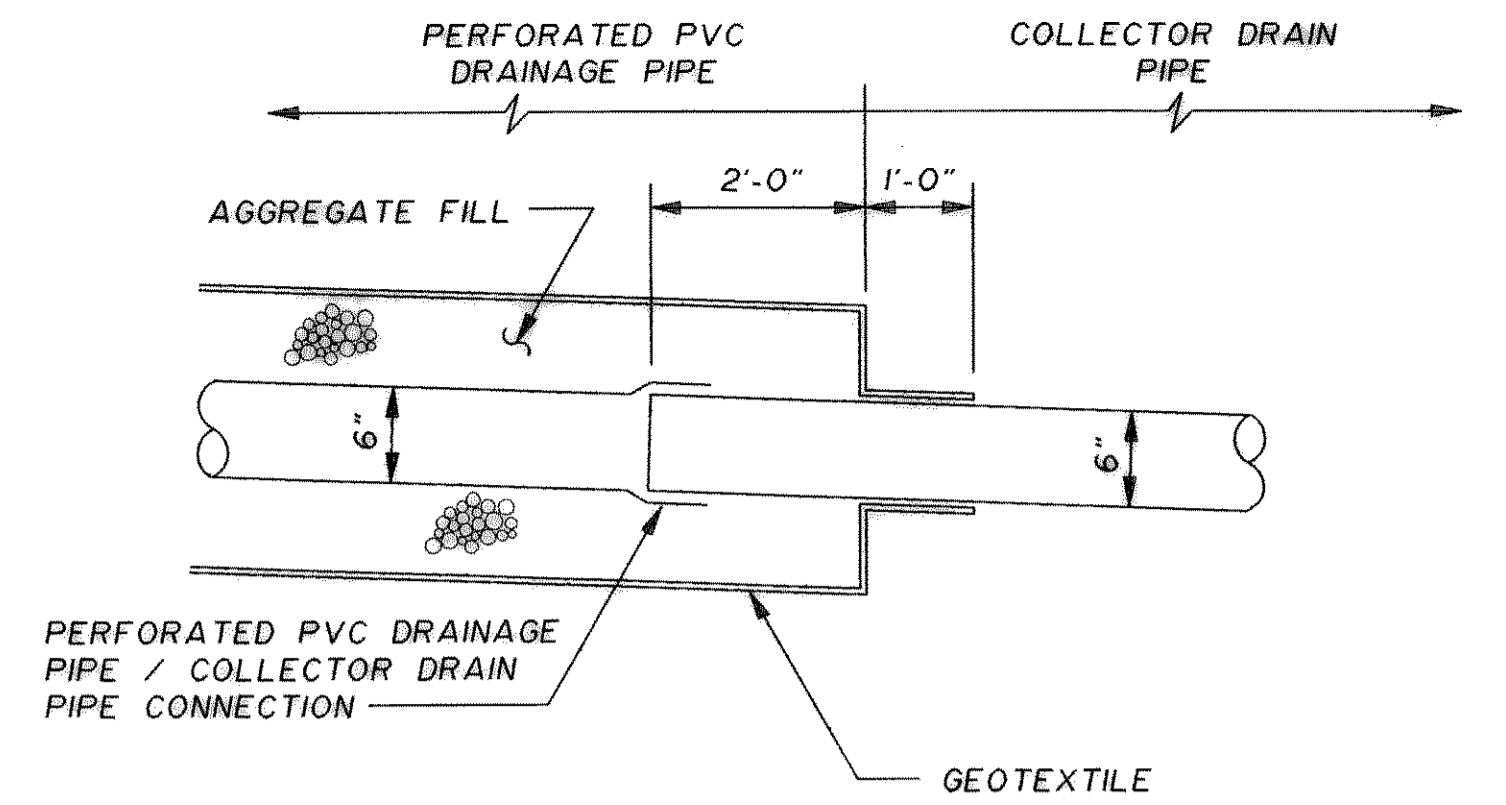
TRANSVERSE EXPANSION JOINT

NOT SCALE



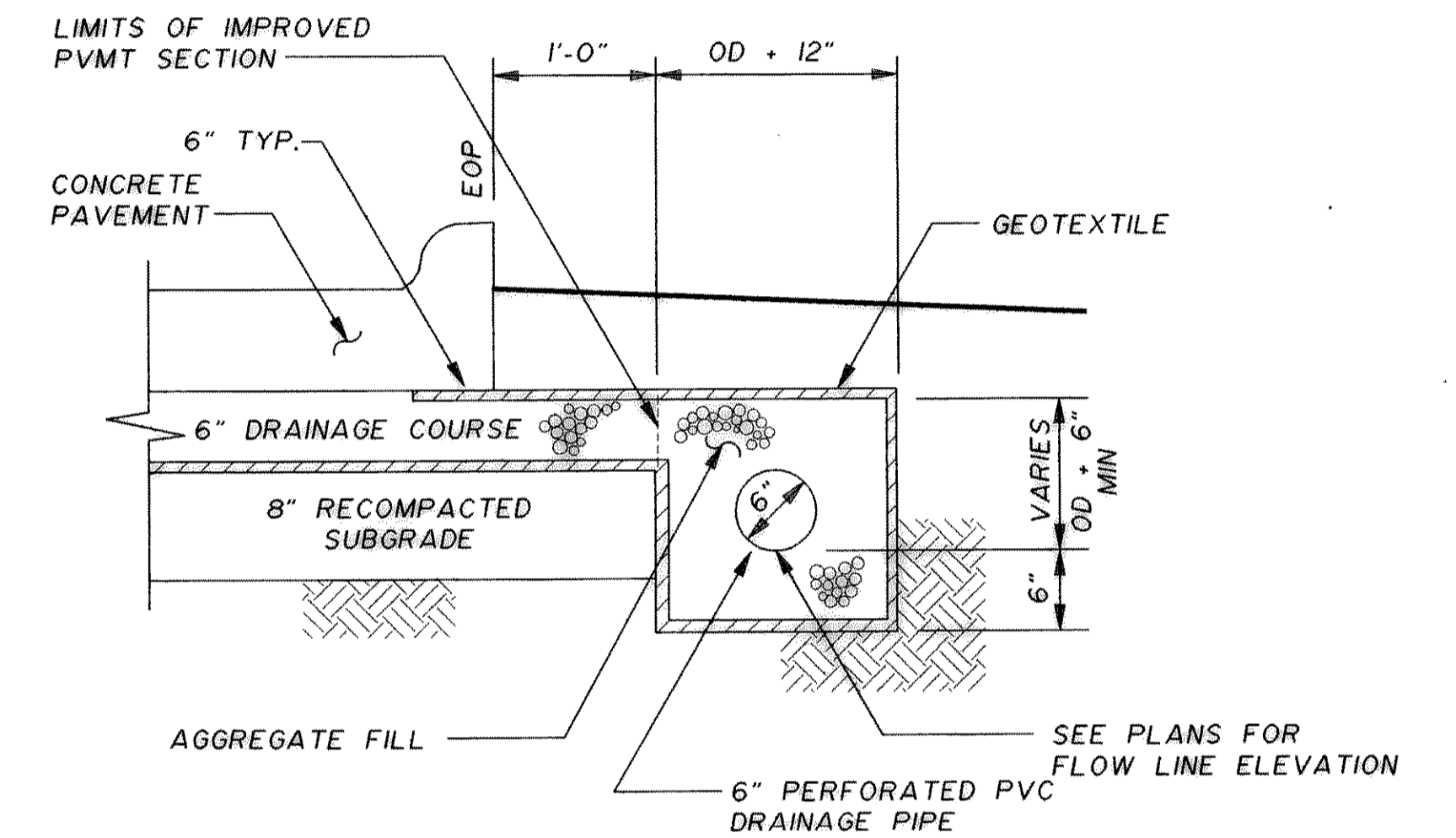
NOTE: "T" = 6"
MONOLITHIC CURB

NOT TO SCALE



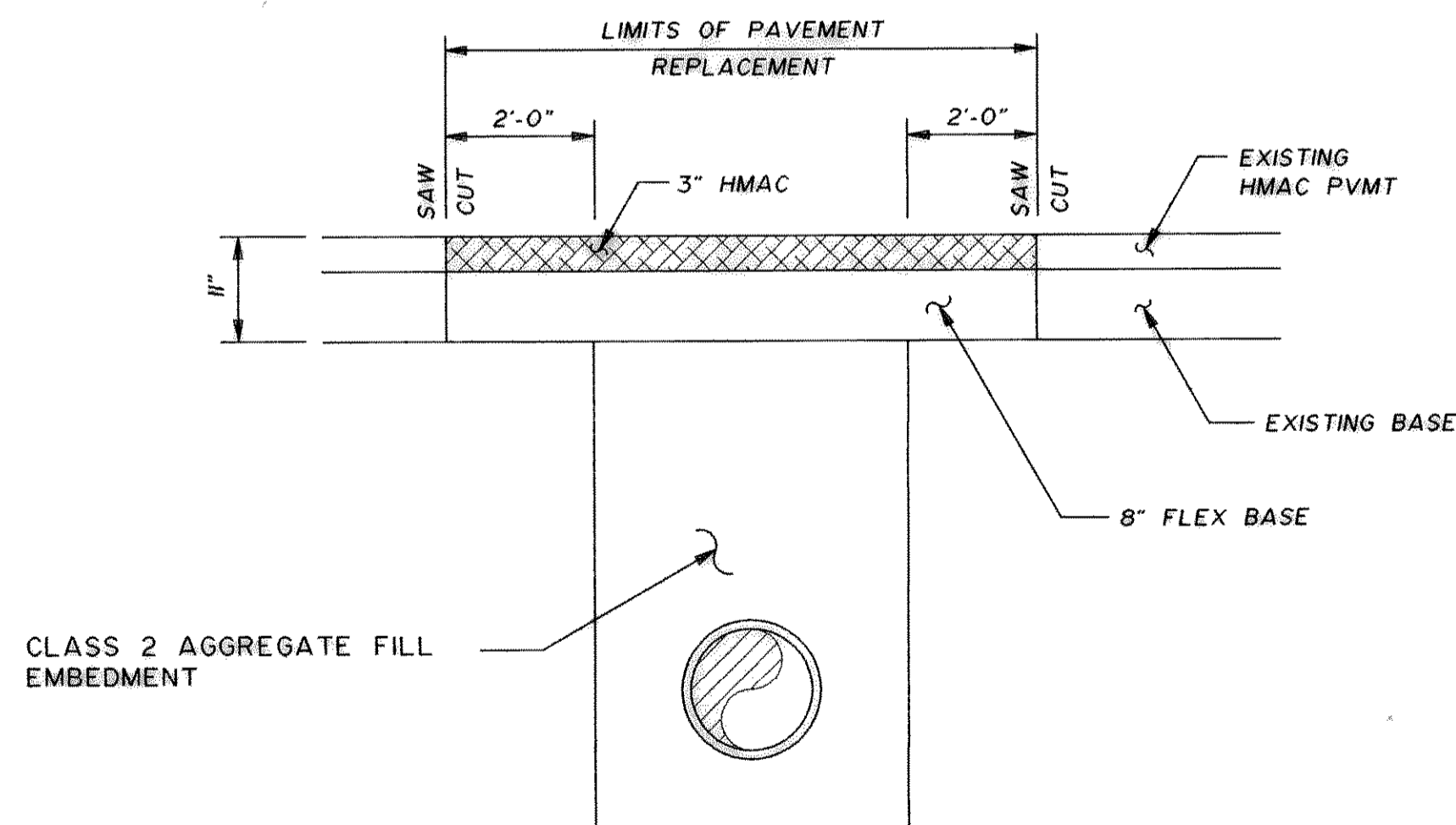
PERFORATED PVC PIPE / COLLECTOR DRAIN CONNECTION

NOT TO SCALE



ROADWAY UNDERDRAIN

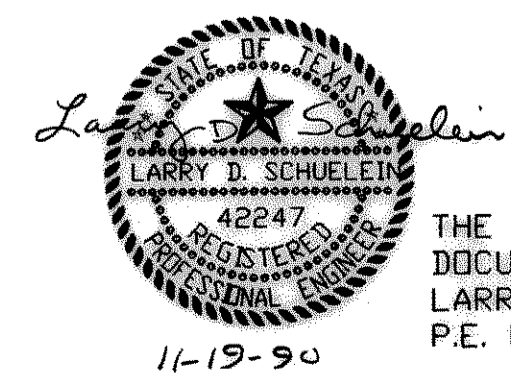
NOT TO SCALE



PAVEMENT REPLACEMENT - HMAC

NOT TO SCALE

RECORD DRAWING
 BASED ON INFORMATION
 SUPPLIED BY THE CONTRACTOR
 DATE: 10/2/92 BY: LDS



THE SEAL APPEARING ON THIS DOCUMENT WAS AUTHORIZED BY LARRY D. SCHUELEIN, TEXAS P.E. No. 42247 ON NOV. 19, 1990

ACAD Ref 12
 ROKW005.DWG
 11/19/90
 User: Hugo Trevino
 2:44:41 P.M.
 C:\PROGRA~1\AUTOCAD

DATE	REVISION

DESIGNED: _____	JOB NO. <u>ROK89005</u>
DRAWN: _____	DATE <u>11/19/90</u>
TRACED: _____	SCALE <u>AS SHOWN</u>
BY _____	CHECKED: _____

FRESE AND NICHOLS, INC.
 CONSULTING ENGINEERS
 FORT WORTH - ARLINGTON - AUSTIN, TEXAS

CITY OF ROCKWALL, TEXAS
EASTSIDE PUMP STATION

PAVEMENT
TYPICAL JOINT AND PAVING DETAILS

SHEET
 5 OF 39