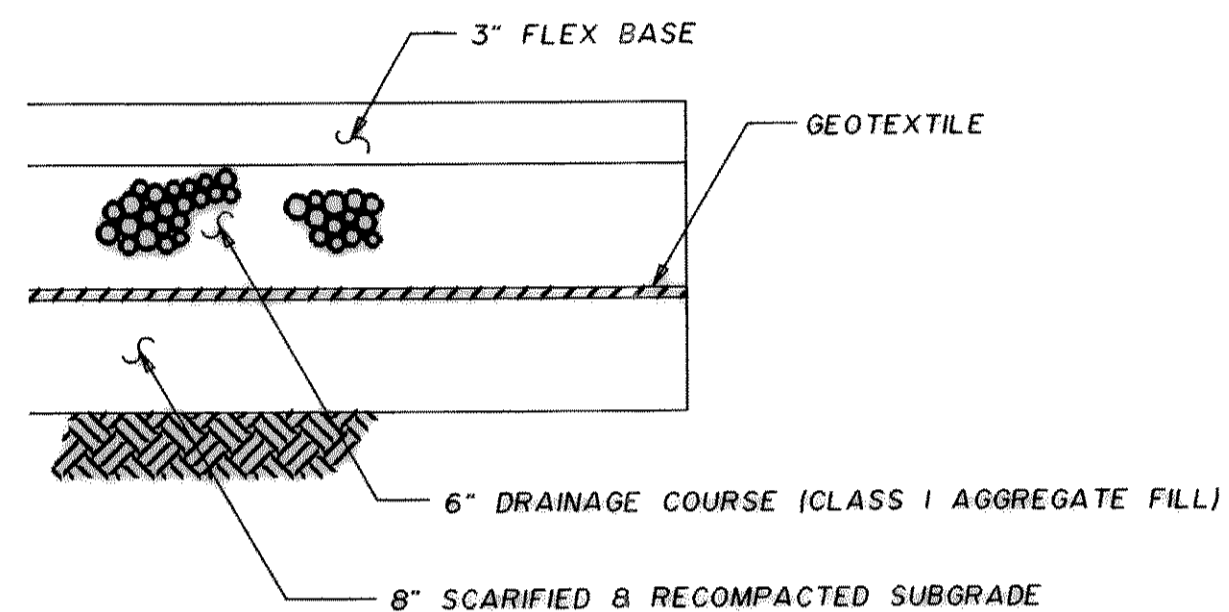


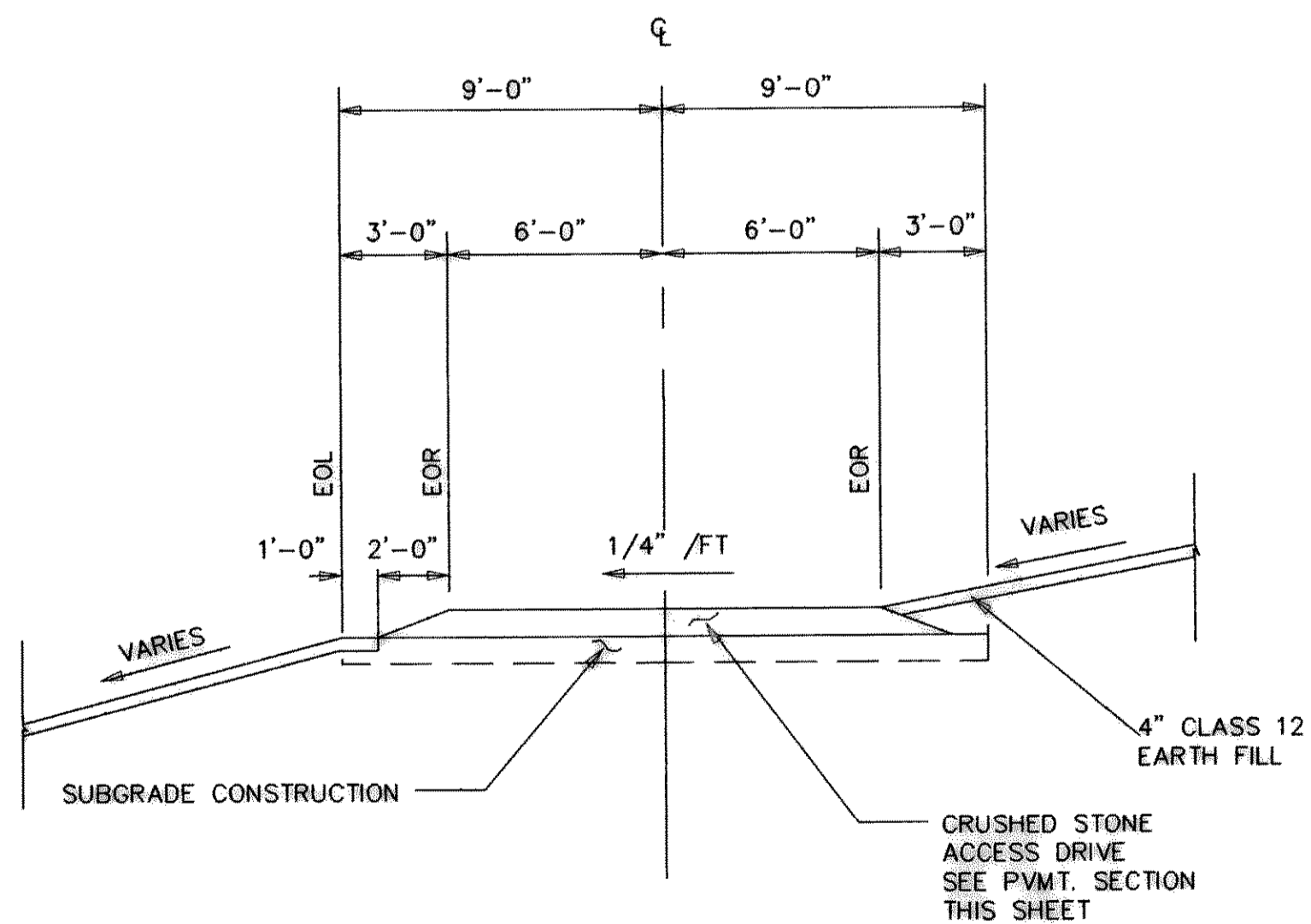
TYPICAL 25' WIDE PAVEMENT SECTION WITH SUB-DRAIN

NOT TO SCALE



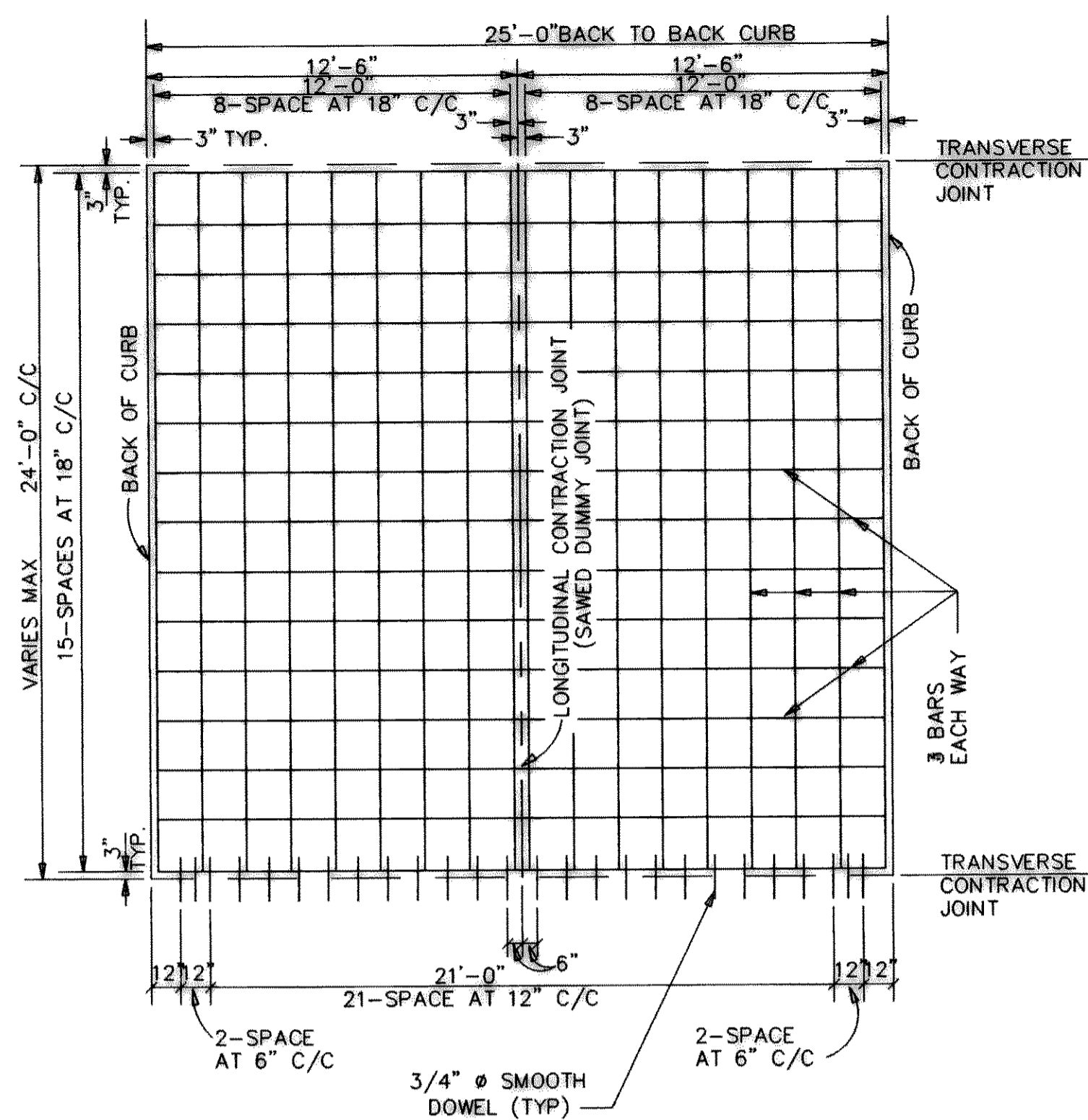
12' CRUSHED STONE ACCESS ROAD - TYPICAL PVMT SECTION

NOT TO SCALE



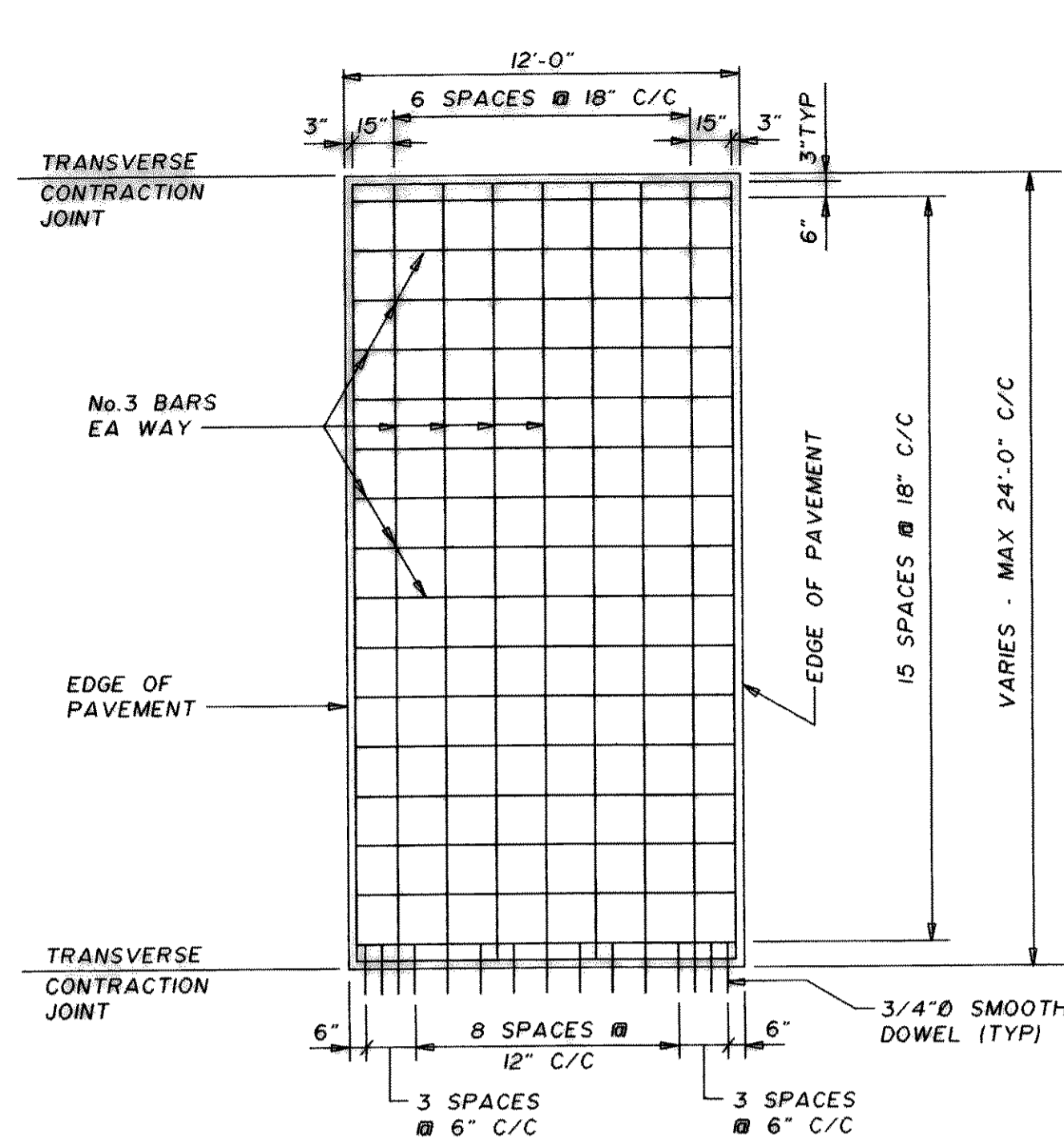
TYPICAL SECTION 12' CRUSHED STONE ACCESS ROAD LOOKING WEST

NOT TO SCALE



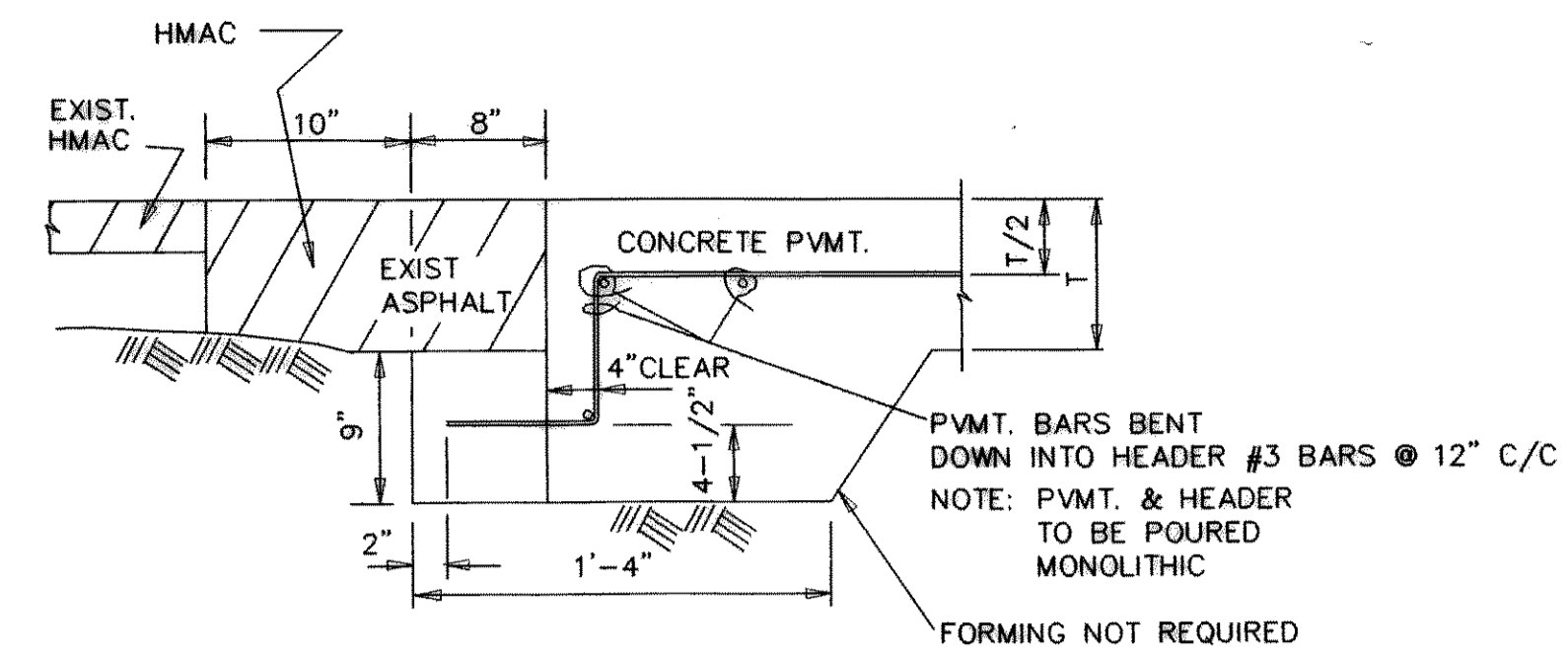
PLAN - 25' WIDE CONCRETE PAVEMENT

SCALE: 1/4"=1'-0"



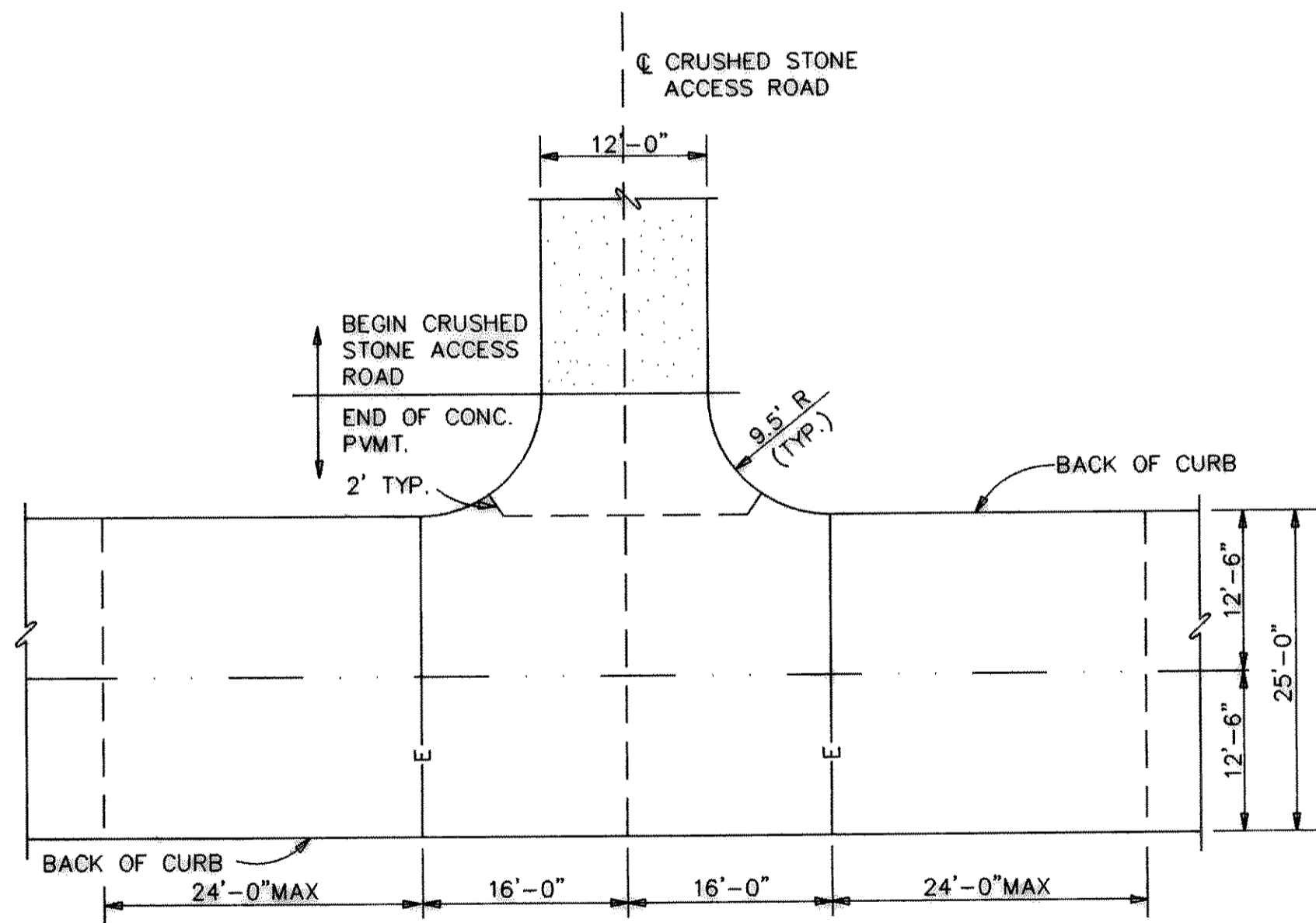
PLAN - 12' CONCRETE PAVEMENT

SCALE: 1/4"=1'-0"



PAVEMENT HEADER (SUBSIDIARY TO PVMT.)

NOT TO SCALE



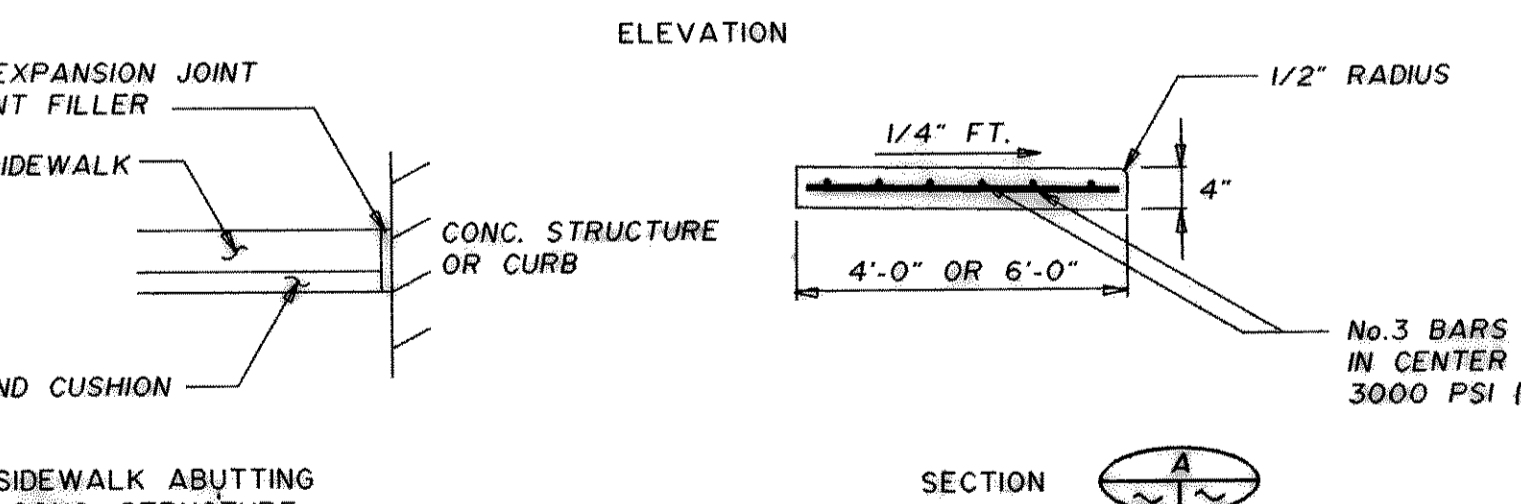
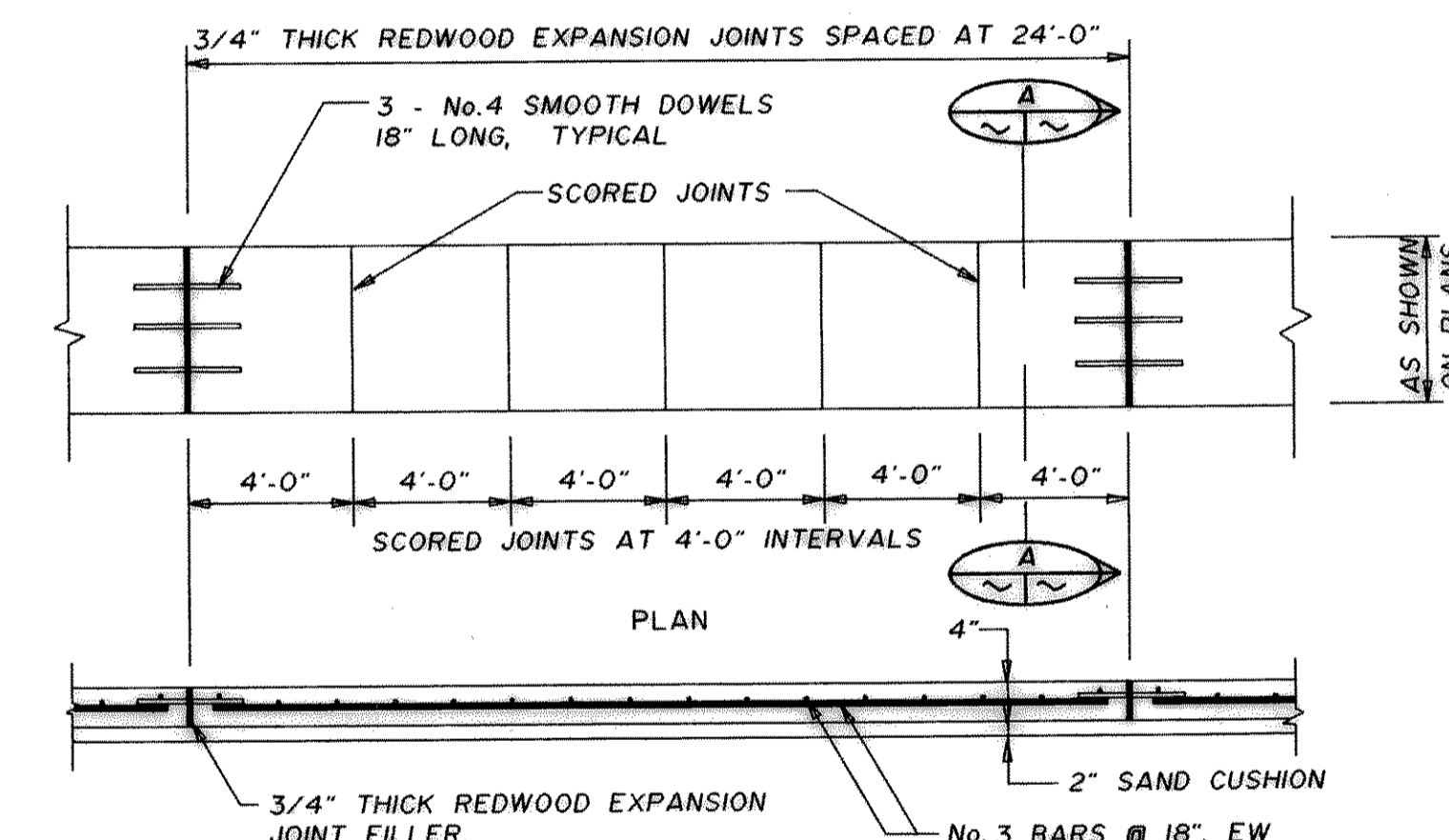
TYPICAL JOINT LAYOUT PLAN

T-INTERSECTION FOR 25' WIDE ROAD

NOT TO SCALE

LEGEND

- E — EXPANSION JOINT
- - - - - TRANSVERSE CONTRACTION JOINT
- - - - - LONGITUDINAL OR TRANSVERSE CONSTRUCTION JOINT
- — — — — LONGITUDINAL CONTRACTION JOINT



SIDEWALK DETAILS

NOT TO SCALE

RECORD DRAWING
 BASED ON INFORMATION
 SUPPLIED BY THE CONTRACTOR
 DATE: 10/2/92 BY: LDS



THE SEAL APPEARING ON THIS DOCUMENT WAS AUTHORIZED BY LARRY D. SCHUELEIN, TEXAS P.E. No. 42247 ON NOV. 19, 1990

11-19-90

ACAD: Rel 12
 ROKDW04.DWG
 SEP 30, 1992
 User: Hugo Trevino
 2:38:12 P.M.

ACAD: DWG
 C:\ROKDW04\ROKDW04.DWG

DATE	REVISION	BY	CHECKED

DESIGNED:	JOB NO. ROK89005
DRAWN:	DATE 11/19/90
TRACED:	SCALE AS SHOWN
CHECKED:	

FRESE AND NICHOLS, INC.
 CONSULTING ENGINEERS
 FORT WORTH - ARLINGTON - AUSTIN, TEXAS

CITY OF ROCKWALL, TEXAS
 EASTSIDE PUMP STATION

PAVEMENT
 TYPICAL ROADWAY SECTIONS & DETAILS

SHEET
 4 OF 39