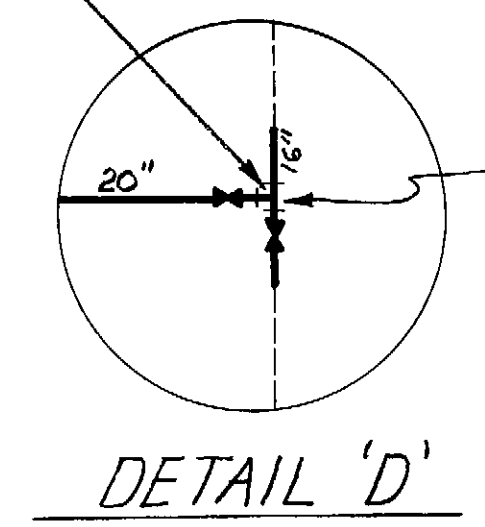
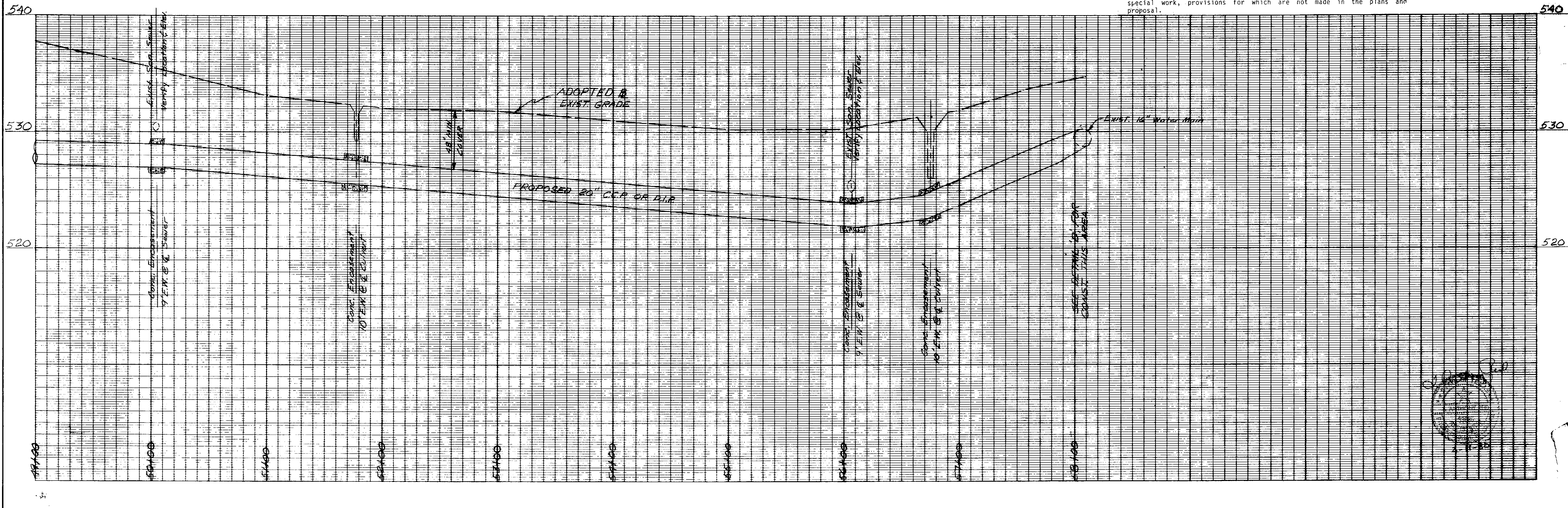


SCALE: 1" = 40' Horiz.  
1" = 4' Vert.



The plans show the general locations of all known surface and subsurface structures. The locations of many gas mains, water mains, conduits, sewers, other utilities, etc., however, are unknown, and the OWNER assumes no responsibility for failure to show any or all these structures on the plans or to show them in their exact locations. The OWNER and CONTRACTOR mutually agree that such failure shall not be considered sufficient basis for claims for additional compensation for extra work or for increasing the pay quantities in any manner whatsoever, unless the obstruction encountered is such as to necessitate the building of special work, provisions for which are not made in the plans and proposal.



DESIGNED <b>DEB</b>	JOB NO. <b>ROX 02471</b>	FRESE AND NICHOLS CONSULTING ENGINEERS FORT WORTH-AUSTIN, TEXAS	EAST SIDE WATER DISTRIBUTION PIPELINE	PLAN & PROFILE STA. 49+00 TO 58+07	RECORD DRAWING DATE: 1-17-85 BY: DEB	SHEET 7 of 10
DRAWN <b>LCB</b>	DATE <b>MARCH 85</b>					
TRACED <b>DLT</b>	SCALE <b>AS SHOWN</b>					
CHECKED						