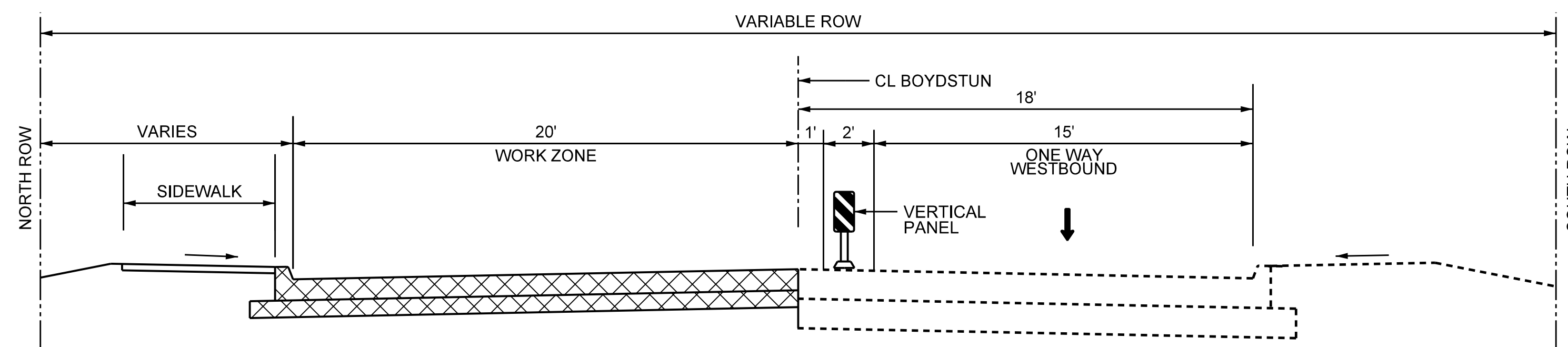
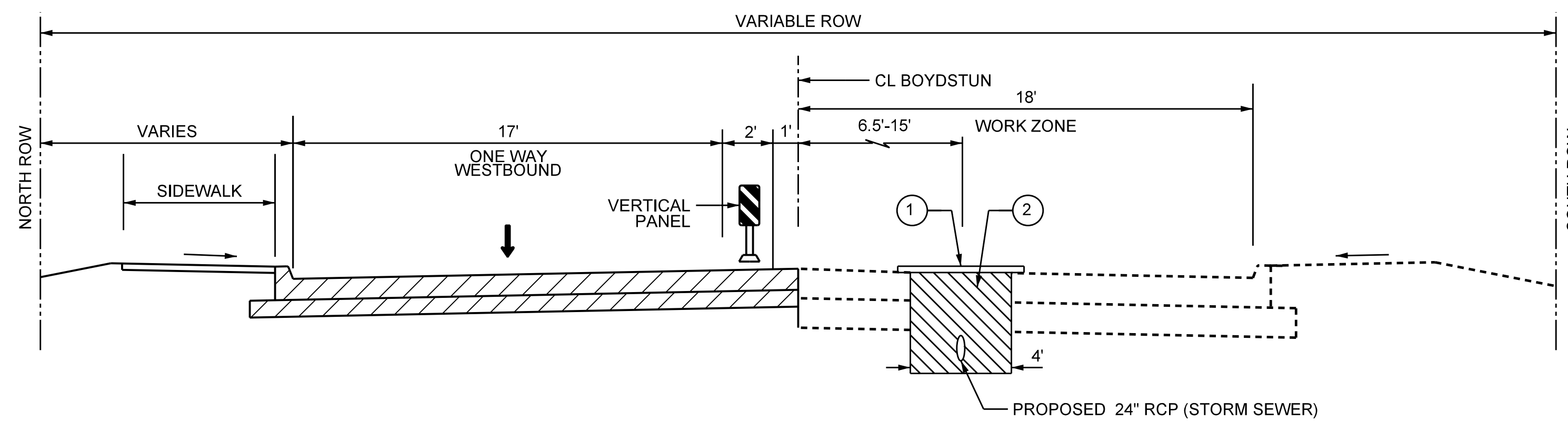


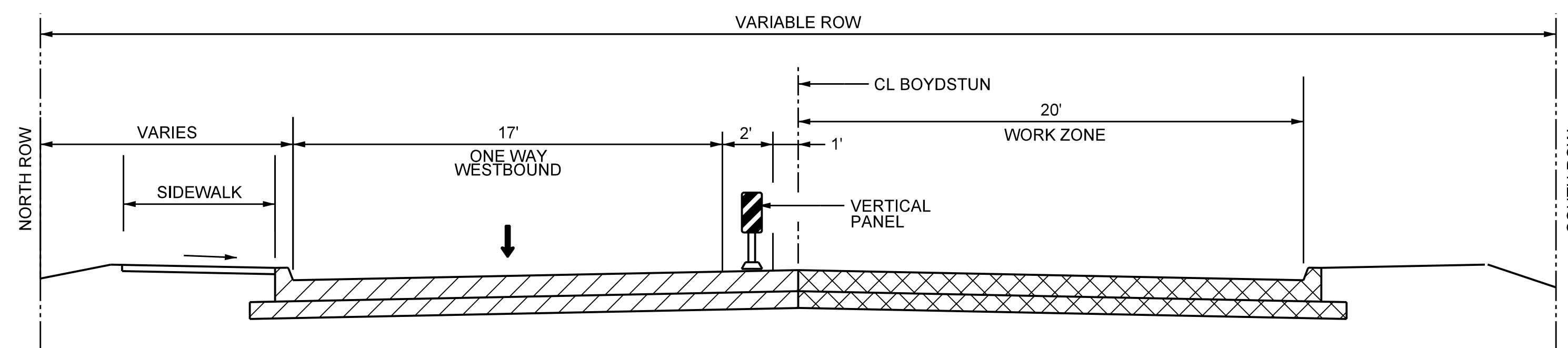
STAGE 2 TYPICAL SECTION STORM SEWER



STAGE 2 TYPICAL SECTION ROADWAY



STAGE 3 TYPICAL SECTION STORM SEWER



STAGE 3 TYPICAL SECTION ROADWAY

TCP LEGEND
 COMPLETED CONSTRUCTION
 UNDER CONSTRUCTION

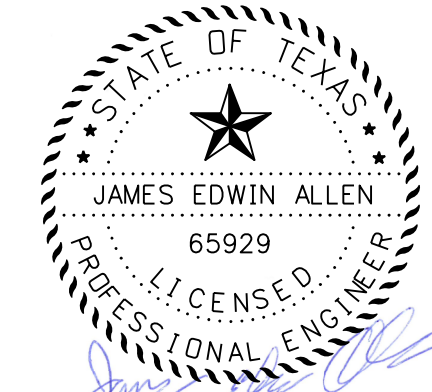
CALL BEFORE YOU DIG!
 TEXAS ONE CALL PARTICIPANTS REQUEST
 48 HOURS NOTICE BEFORE YOU DIG, DRILL,
 OR BLAST - STOP CALL

Texas One Call System
 1-800-DIG-TESS

UTILITY LOCATION NOTE:
 The location of existing utilities shown on these plans are approximate and based on existing plans and data furnished by utility companies. It is the responsibility of the contractor to verify the location and depth of all existing utilities that may conflict with construction. Call 1-800-344-8377 two working days prior to construction for on site locations. Any damage to existing utilities shall be repaired at contractor's expense, at no additional cost.

RECORD DRAWING
 THIS DRAWING IS A COMPLETION OF A COPY OF THE SEALED ENGINEERING DRAWING FOR THIS PROJECT, MODIFIED BY ADDENDA, CHANGE ORDERS AND INFORMATION FURNISHED BY THE CONTRACTOR. THE INFORMATION SHOWN ON THIS RECORD DRAWING WAS PROVIDED BY THE CONTRACTOR OR OTHERS NOT ASSOCIATED WITH THE DESIGN ENGINEER. THE DESIGN ENGINEER CANNOT BE HELD RESPONSIBLE FOR THE ACCURACY OR COMPLETENESS. THE ORIGINAL SEALED DRAWINGS ARE ON FILE AT THE OFFICE OF E.JES, INC., TBPE FIRM REGISTRATION NO. 2488

James Allen JULY 28, 2019
 James Allen, P.E., TX License No. 65929 Date



EJES INCORPORATED
 12655 N Central Expy, Suite # 500, Dallas, Texas 75243.
 Tel # 214-343-1210, Fax # 214-343-3885
 FIRM REGISTRATION No: F-2488

TCP TYPICAL SECTION STAGE 2 & 3
E. BOYDSTUN AVE.
FROM S. GOLIAD ST TO S. CLARK ST
PUBLIC WORKS DEPARTMENT
CITY OF ROCKWALL, TEXAS

DESIGN	DRAWN	DATE	SCALE	NOTES	FILE	SHEET NO.
EJES	EJES	MAY 2017				26