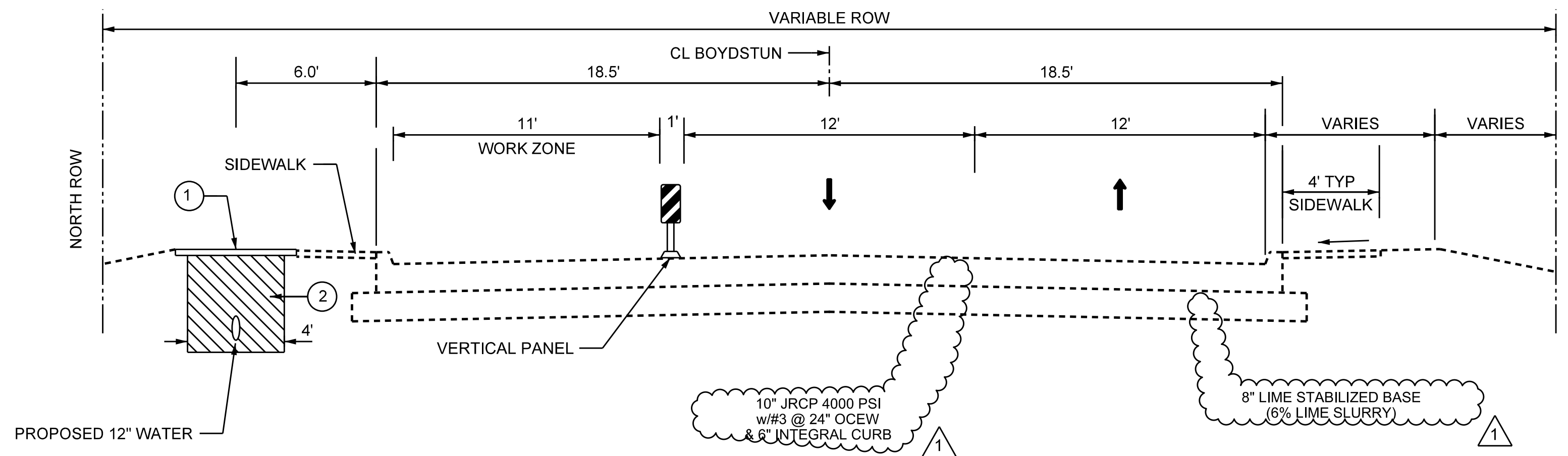
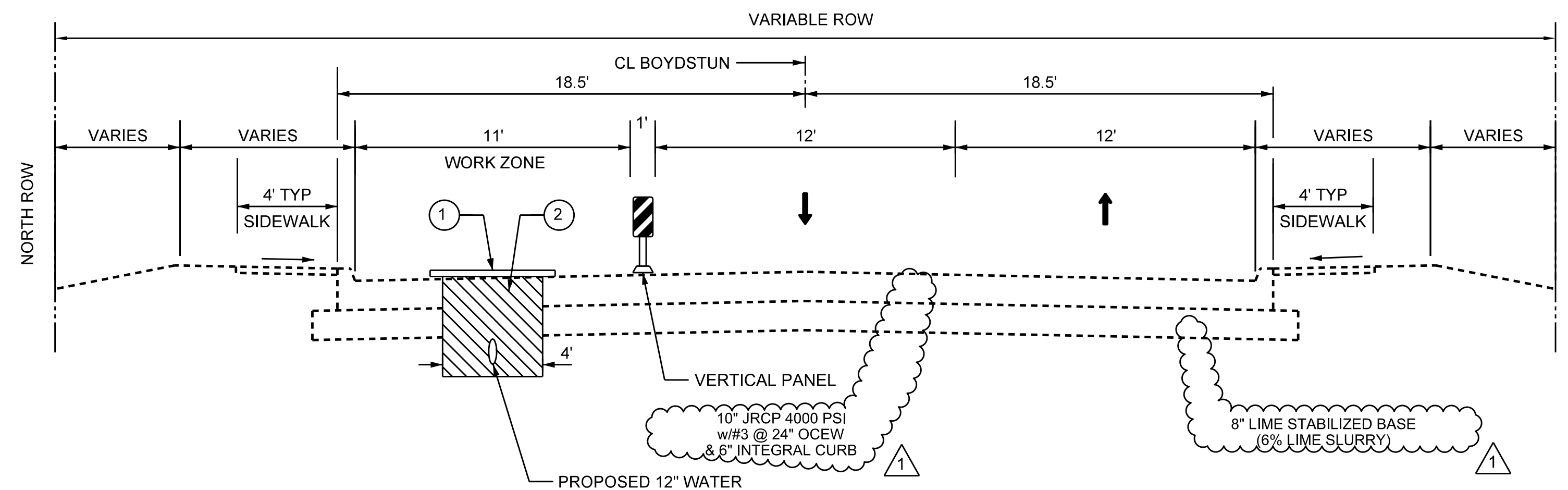


STAGE 1 PHASE 1 WASTEWATER TYPICAL SECTION BOYDSTUN STA 10+46.69 TO STA 28+18.46




STAGE 1 PHASE 2 WATER LINE TYPICAL SECTION BOYDSTUN STA 10+46.69 TO STA 16+55



STAGE 1 PHASE 2 WATER LINE TYPICAL SECTION BOYDSTUN STA 16+55 TO STA 28+18.46

- NOTES:**
- ① PLACE 1" STEEL PLATE ON OPEN TRENCH AT END OF EACH DAY. USE COLD ASPHALT TO KEEP PLATE IN PLACE.
 - ② USE 6" OF TEMPORARY TYPE D ASPHALT OVER COMPACT SUBGRADE FOR TEMPORARY STRUCTURE REPAIR.

CALL BEFORE YOU DIG!
TEXAS ONE CALL PARTICIPANTS REQUEST 48 HOURS NOTICE BEFORE YOU DIG, DRILL, OR BLAST - STOP CALL

 **Texas One Call System**
1-800-DIG-TESS

UTILITY LOCATION NOTE:
The location of existing utilities shown on these plans are approximate and based on existing plans and data furnished by utility companies. It is the responsibility of the contractor to verify the location and depth of all existing utilities that may conflict with construction. Call 1-800-344-8377 two working days prior to construction for on site locations. Any damage to existing utilities shall be repaired at contractor's expense, at no additional cost.

RECORD DRAWING
THIS DRAWING IS A COMPILATION OF A COPY OF THE SEALED ENGINEERING DRAWING FOR THIS PROJECT, MODIFIED BY ADDENDA, CHANGE ORDERS AND INFORMATION FURNISHED BY THE CONTRACTOR. THE INFORMATION SHOWN ON THE RECORD DRAWING THAT WAS PROVIDED BY THE CONTRACTOR OR OTHERS NOT ASSOCIATED WITH THE DESIGN ENGINEER CANNOT BE VERIFIED FOR ACCURACY OR COMPLETENESS. THE ORIGINAL SEALED DRAWINGS ARE ON FILE AT THE OFFICE OF EJES, INC., TBP# FIRM REGISTRATION NO. 2488

James Allen, P.E., TX License No. 65929 Date: JULY 26, 2019

① ADDENDUM 1: 9-22-2017



EJES INCORPORATED
12655 N Central Expy, Suite # 500, Dallas, Texas 75243.
Tel # 214-343-1210, Fax # 214-343-3885
FIRM REGISTRATION No: F-2488

TCP TYPICAL SECTION STAGE 1						
E. BOYDSTUN AVE.						
FROM S. GOLIAD ST TO S. CLARK ST						
PUBLIC WORKS DEPARTMENT						
CITY OF ROCKWALL, TEXAS						
DESIGN	DRAWN	DATE	SCALE	NOTES	FILE	SHEET NO.
EJES	EJES	MAY 2017				25