



submittals / revisions

no.	date	detail
△	06/17/14	RFI #93
△	09/10/15	RFI #38
△	10/26/15	RFI #211
△	12/02/15	LASI #23
△	12/03/15	RFI #213

la terra studio, inc.

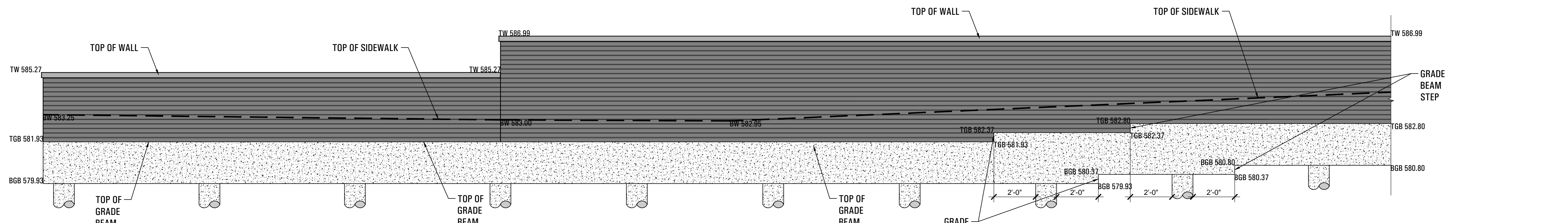
12024  
 its project number  
 02.26.2014  
 date  
 rac; bhm  
 drawn by  
 mth  
 checked by

registration

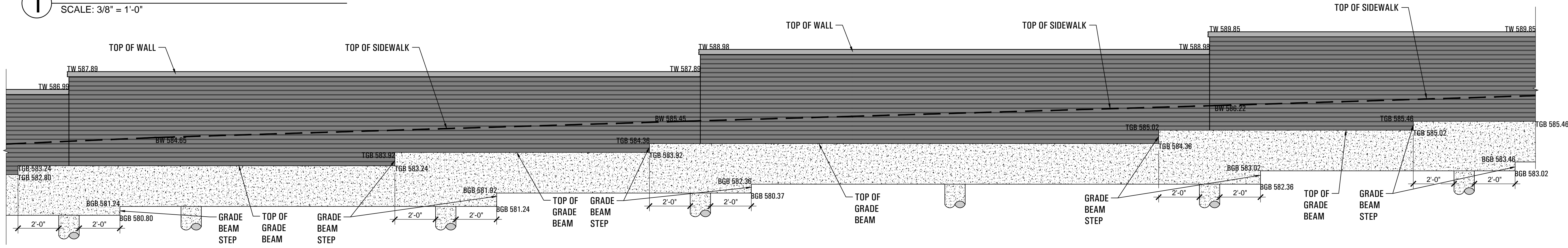


Site Details  
 sheet number

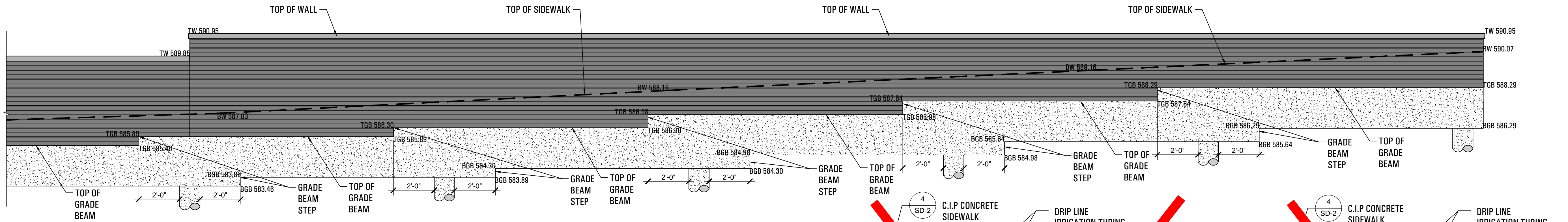
**SD-9**  
 AS BUILT  
 03/07/2016



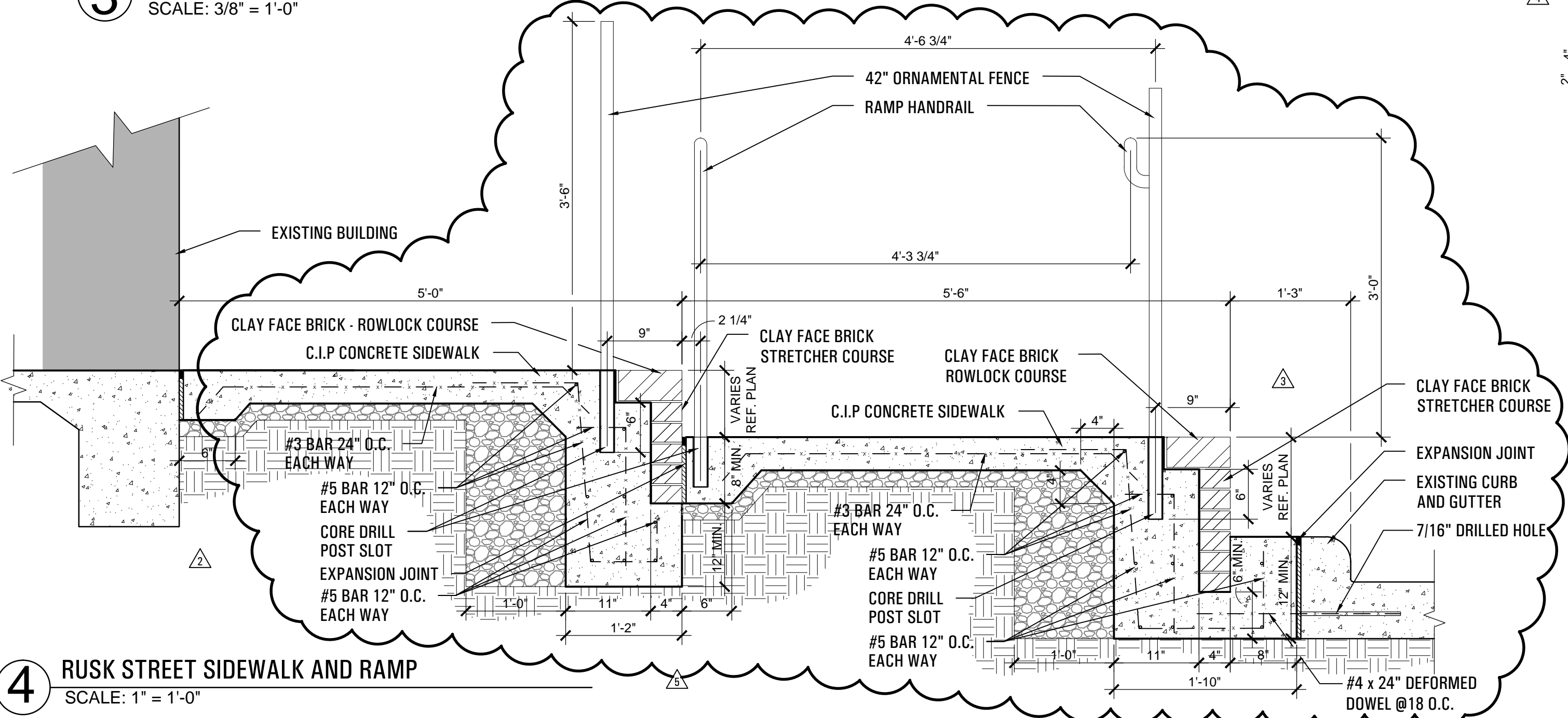
**1** SOUTH WALL ELEVATION - CITYPLACE  
 SCALE: 3/8" = 1'-0"



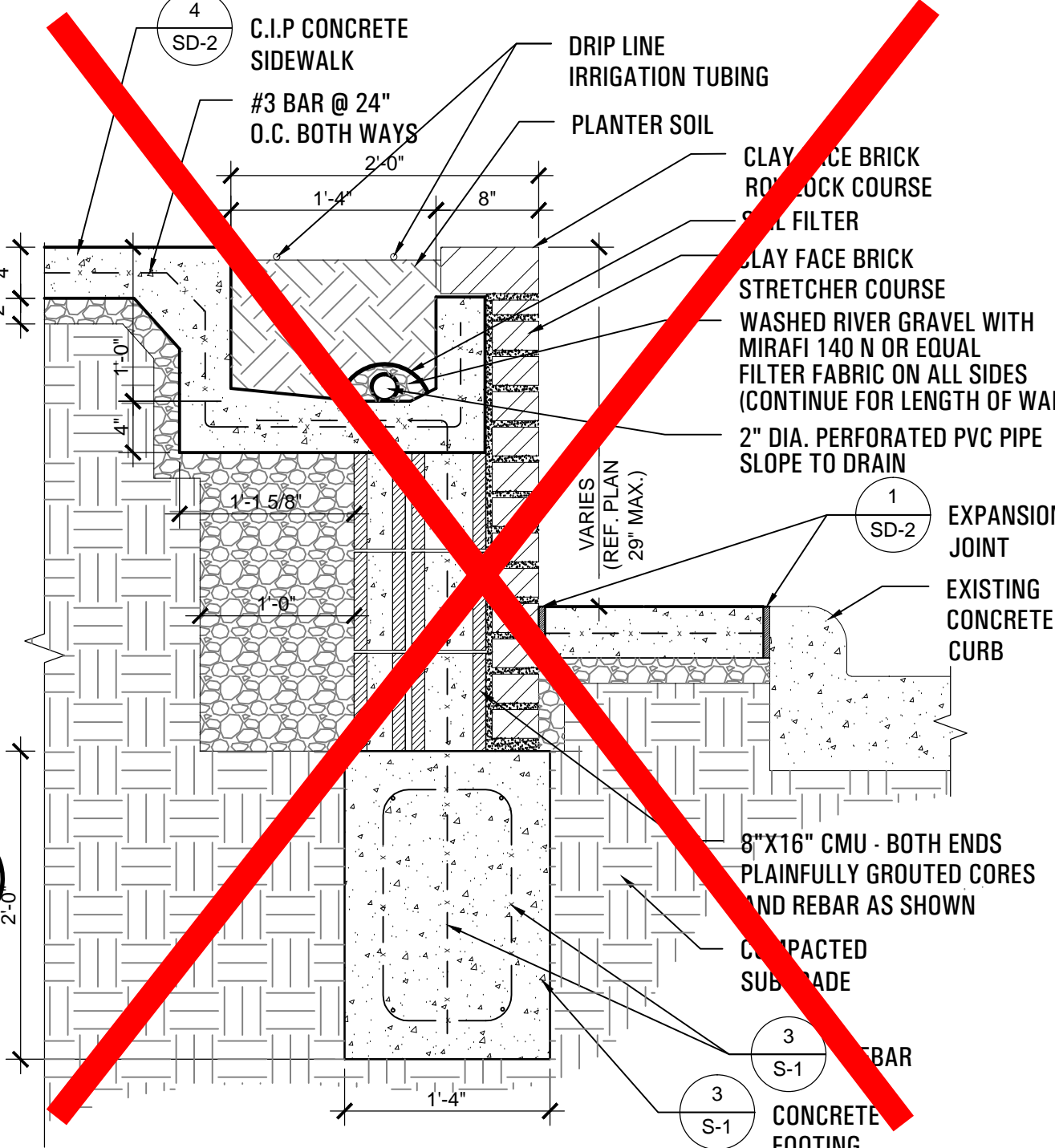
**2** WALL ELEVATION - CITYPLACE  
 SCALE: 3/8" = 1'-0"



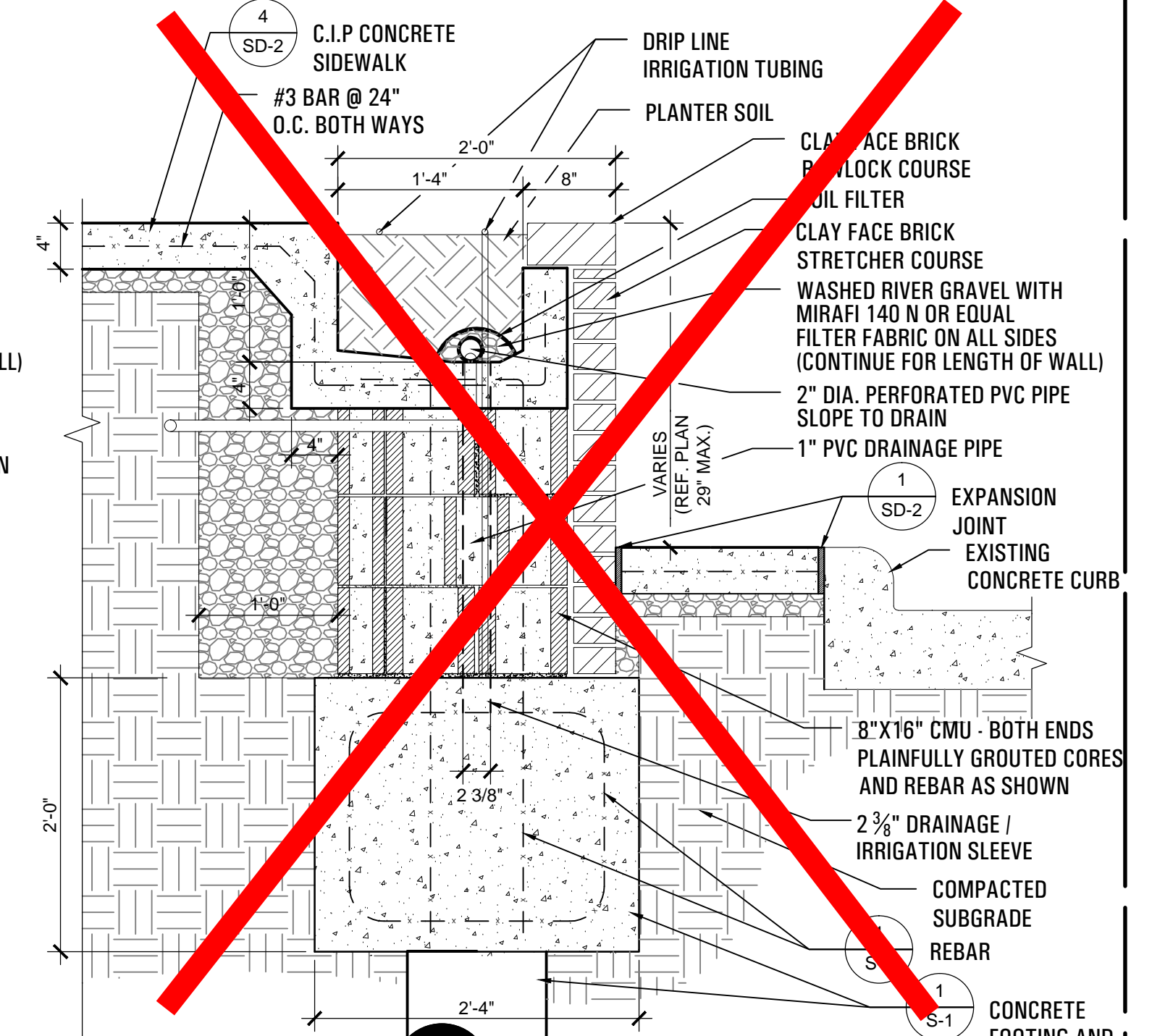
**3** NORTH WALL ELEVATION - CITYPLACE  
 SCALE: 3/8" = 1'-0"



**4** RUSK STREET SIDEWALK AND RAMP  
 SCALE: 1" = 1'-0"



**5** GOLIAD SIDEWALK @ BRICK VENEER PLANTER WALL  
 SCALE: 1" = 1'-0"



**6** GOLIAD SIDEWALK @ BRICK VENEER PLANTER COLUMN BASE  
 SCALE: 1" = 1'-0"

© 2013 la terra studio, inc. All Rights Reserved FILE:P:\12024-Downtown Rockwall PS&E - Rockwall\CAD\SHHEET\12024-Str Details\_9.dwg