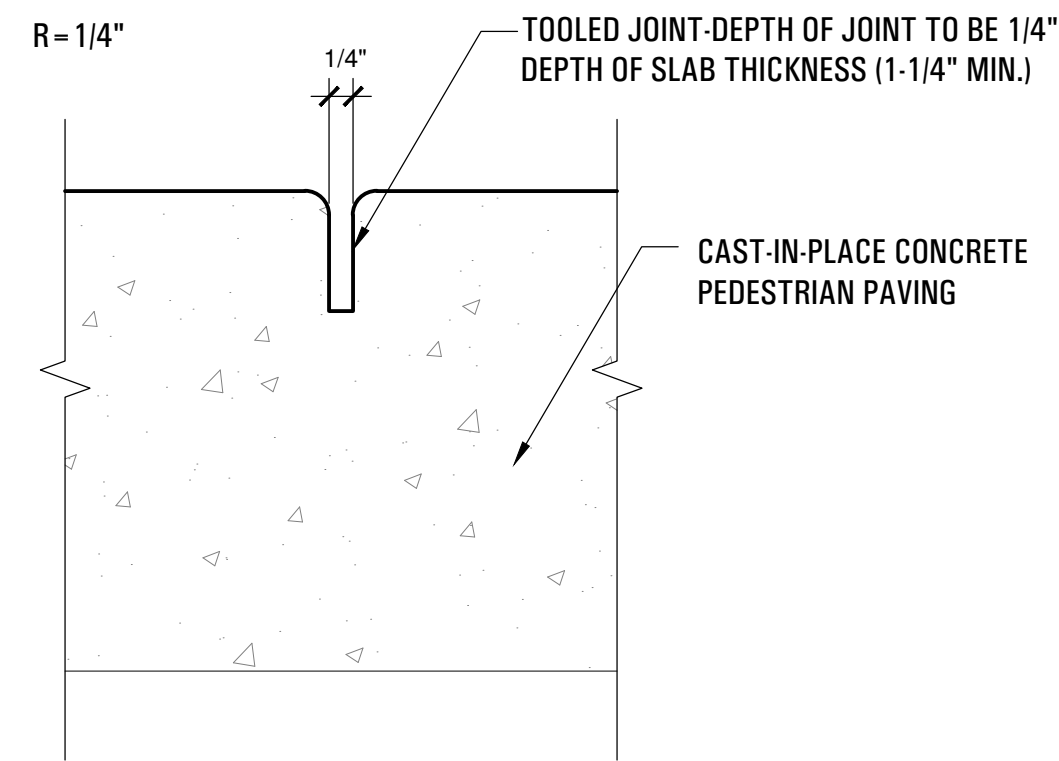
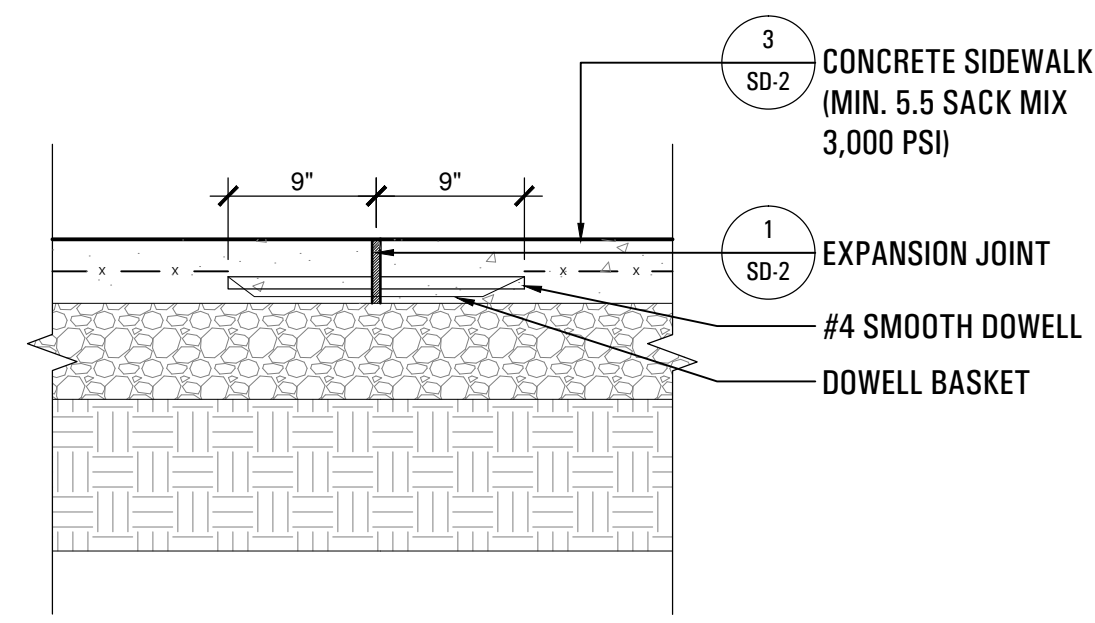


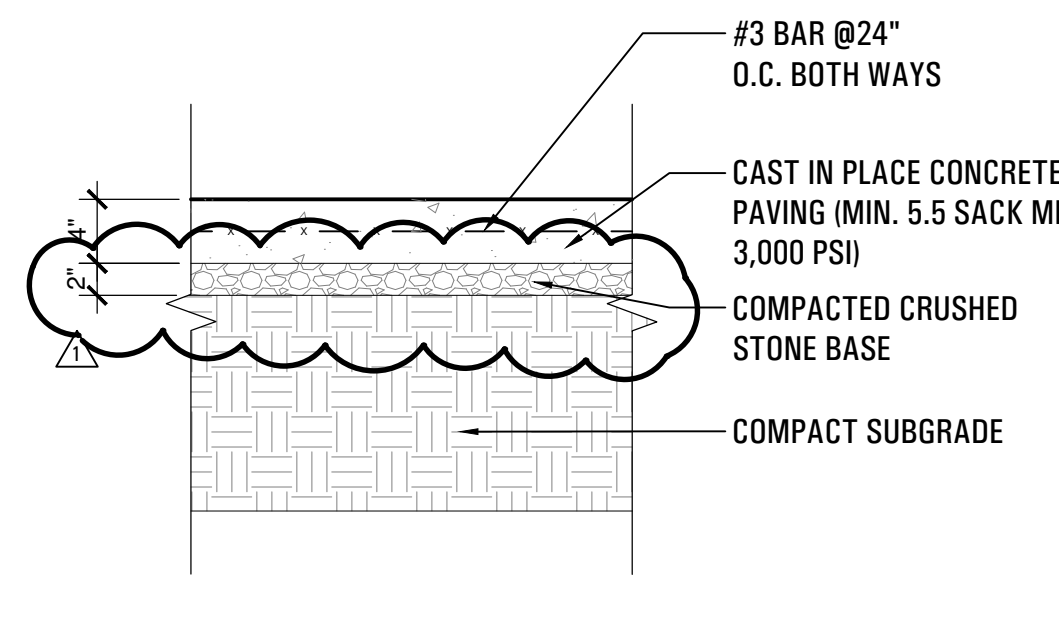
1 EXPANSION JOINT
SCALE: 6" = 1'-0"



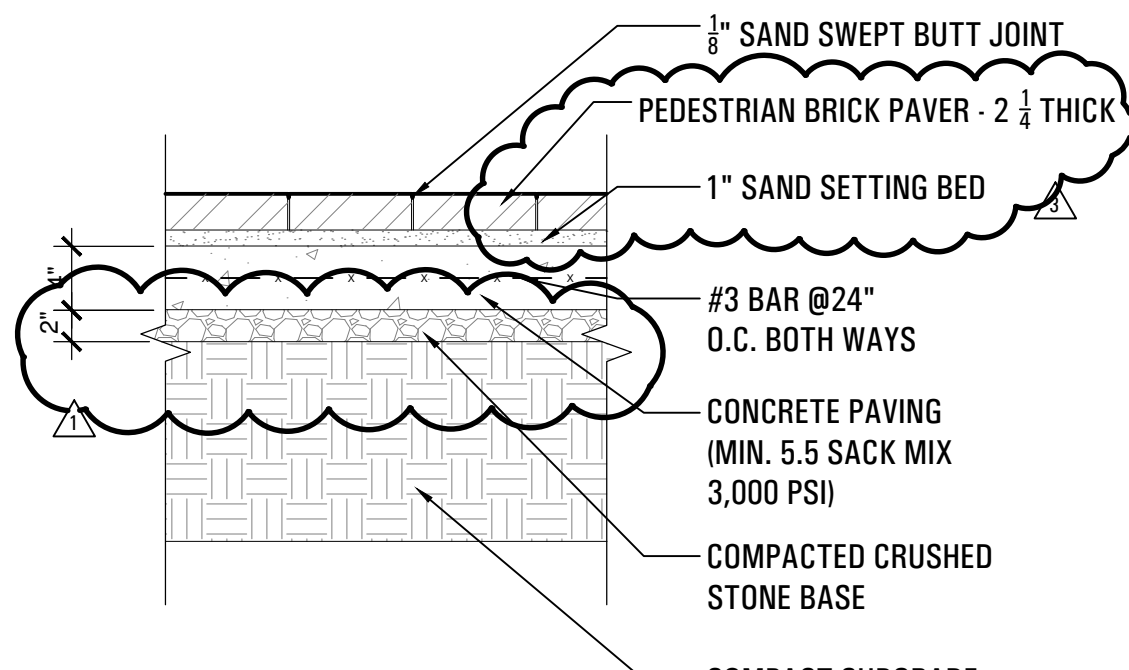
2 CONTROL JOINT
SCALE: 6" = 1'-0"



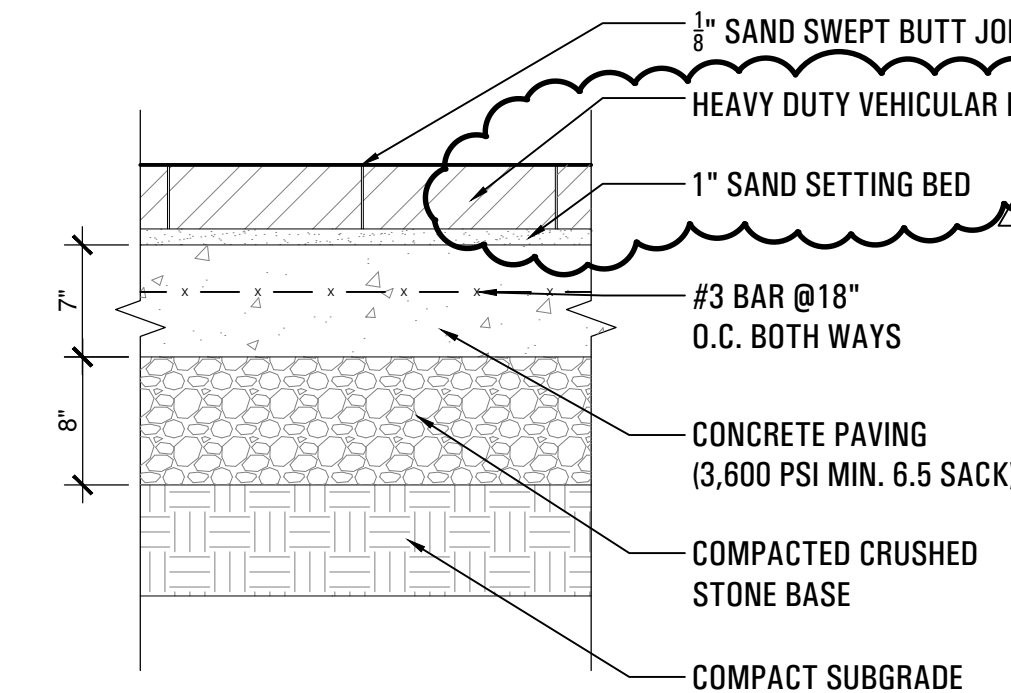
3 DOWELLED EXPANSION JOINT
SCALE: 1" = 1'-0"



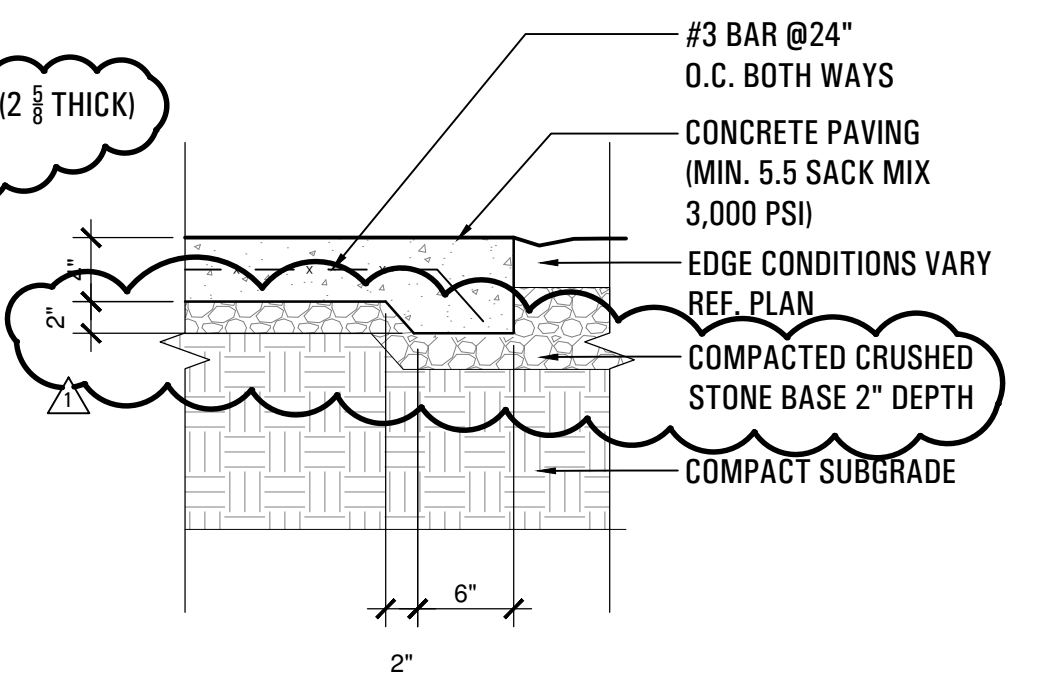
4 CONCRETE SIDEWALK
SCALE: 1" = 1'-0"



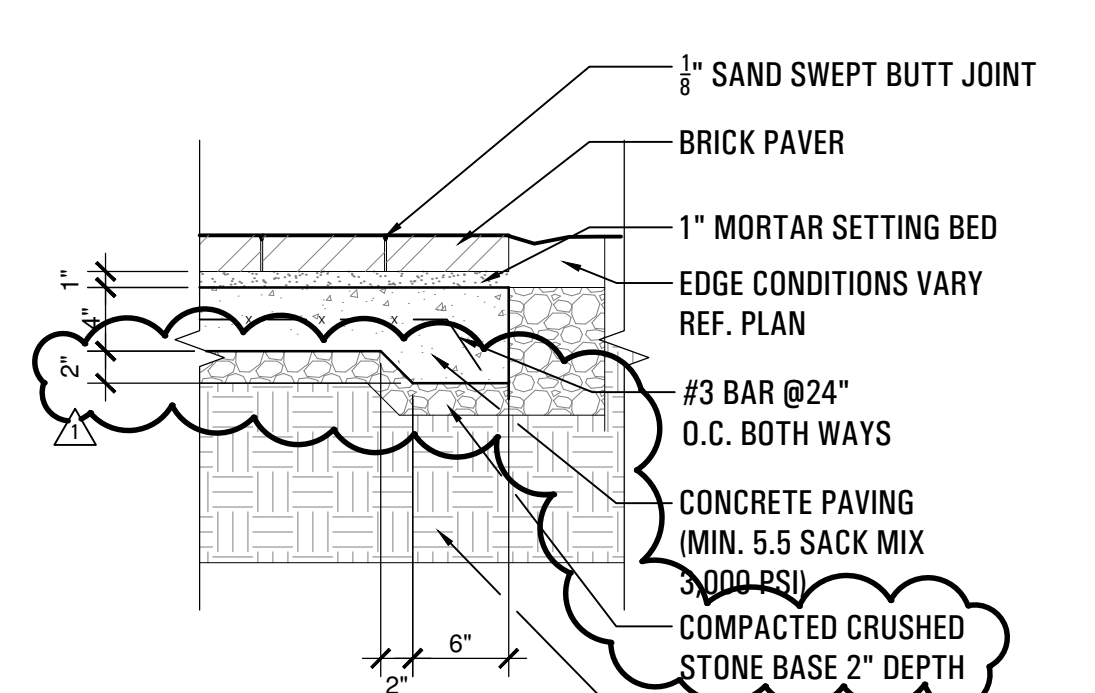
5 PEDESTRIAN BRICK PAVER
SCALE: 1" = 1'-0"



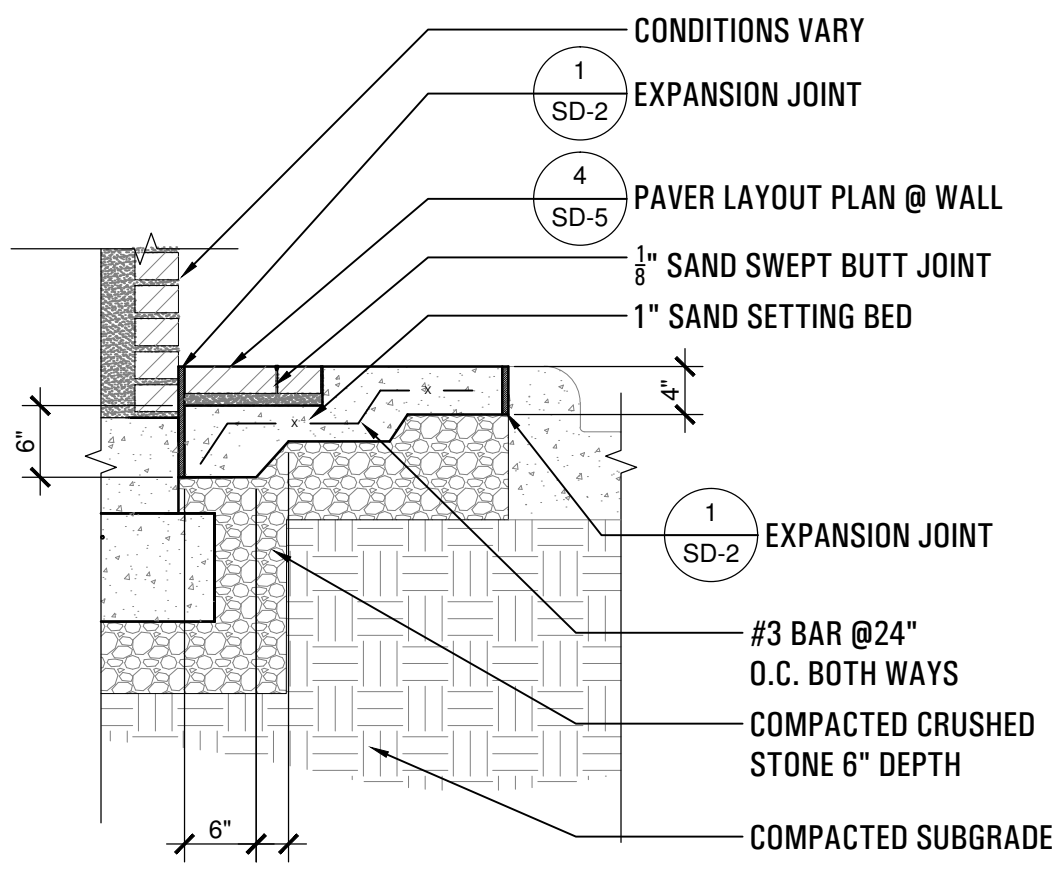
6 VEHICULAR BRICK PAVER
SCALE: 1" = 1'-0"



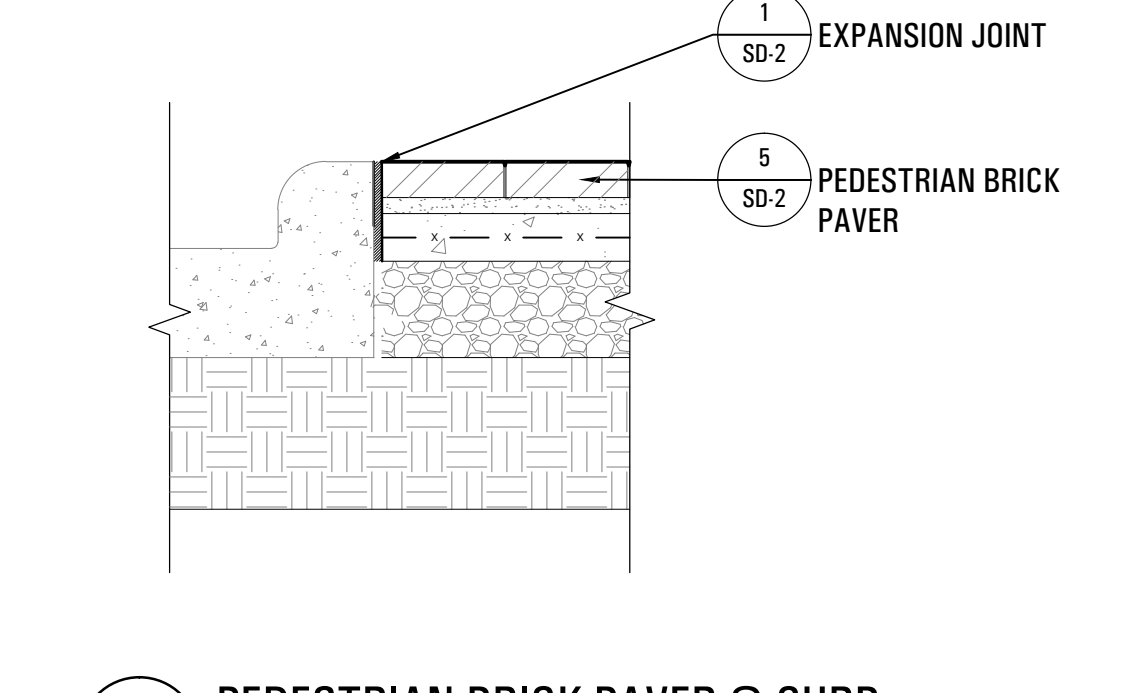
7 CONCRETE SIDEWALK EDGE
SCALE: 1" = 1'-0"



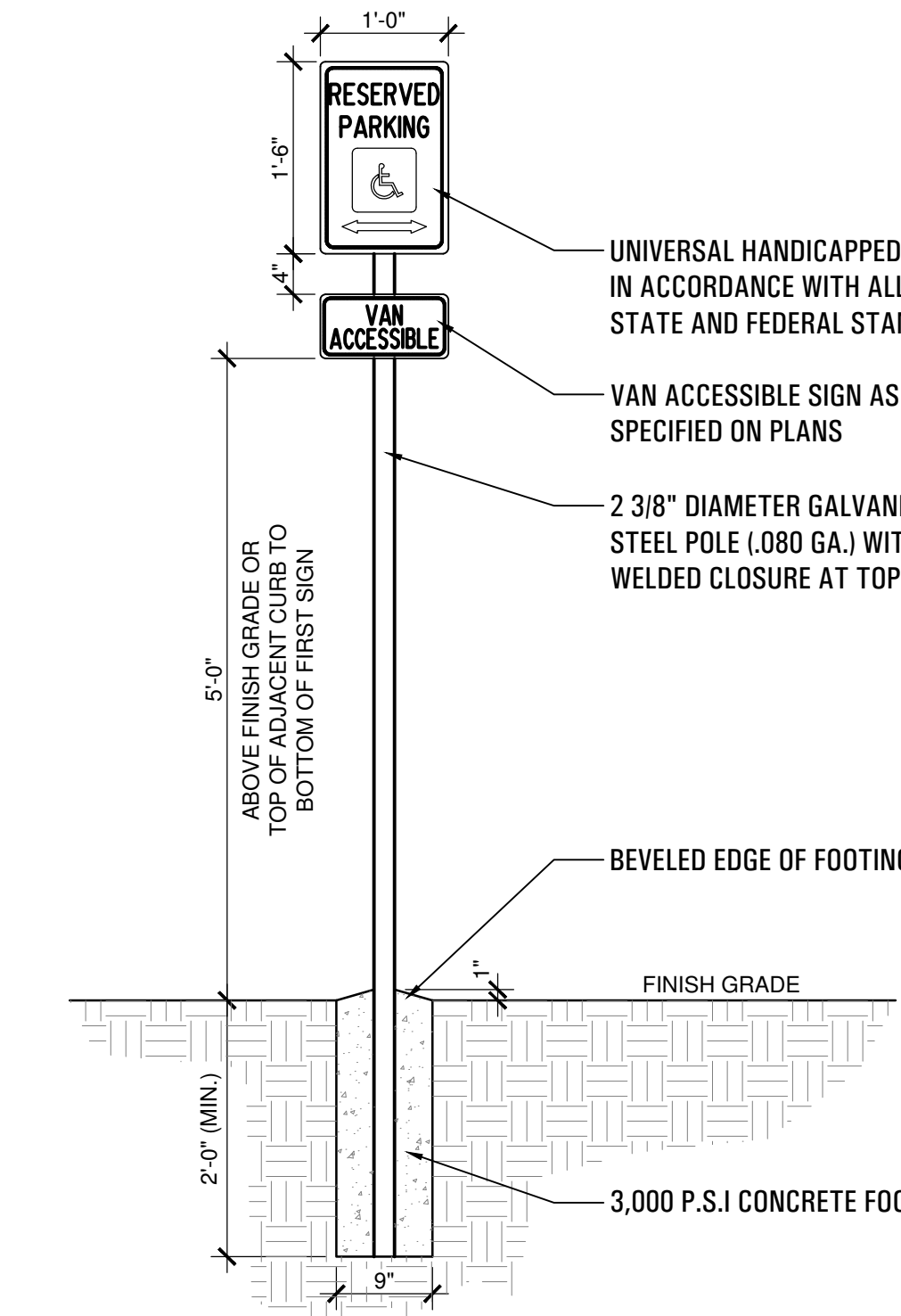
8 PEDESTRIAN BRICK PAVER @ LANDSCAPE BED
SCALE: 1" = 1'-0"



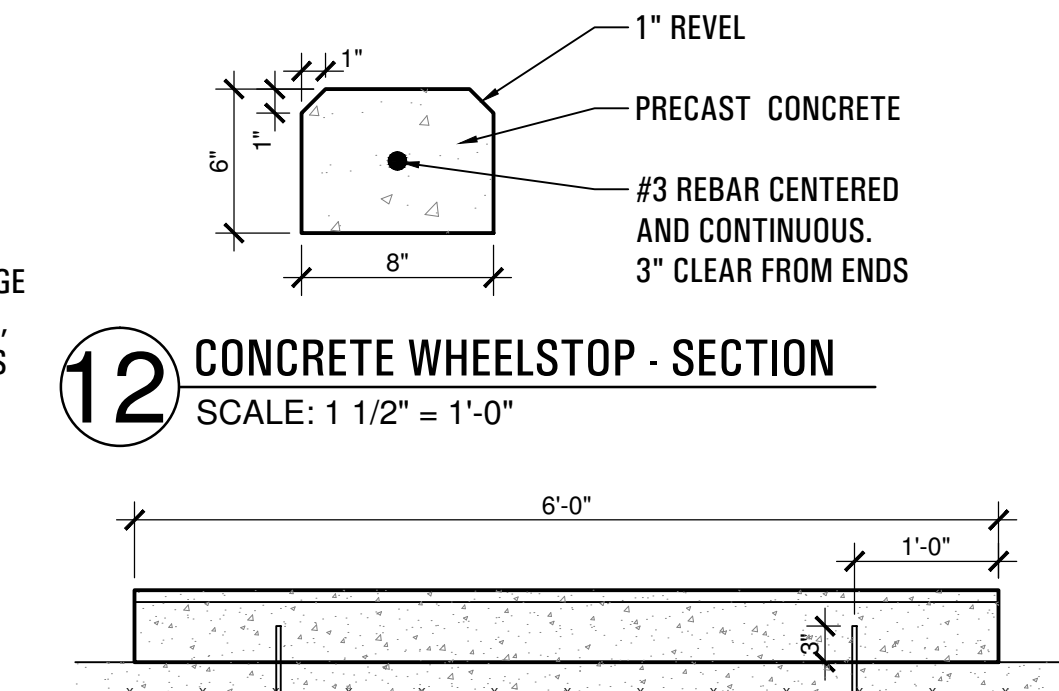
9 PAVERS @ WALL
SCALE: 3/4" = 1'-0"



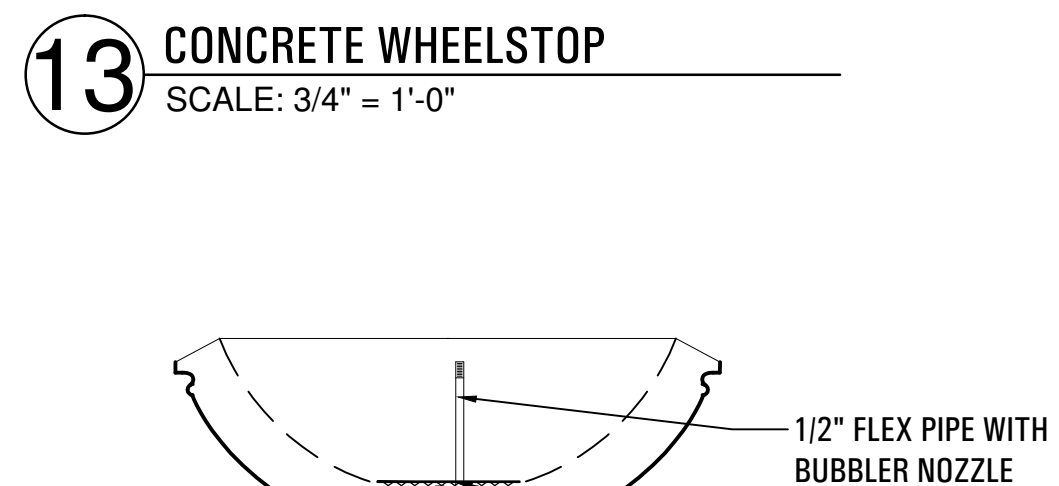
10 PEDESTRIAN BRICK PAVER @ CURB
SCALE: 1" = 1'-0"



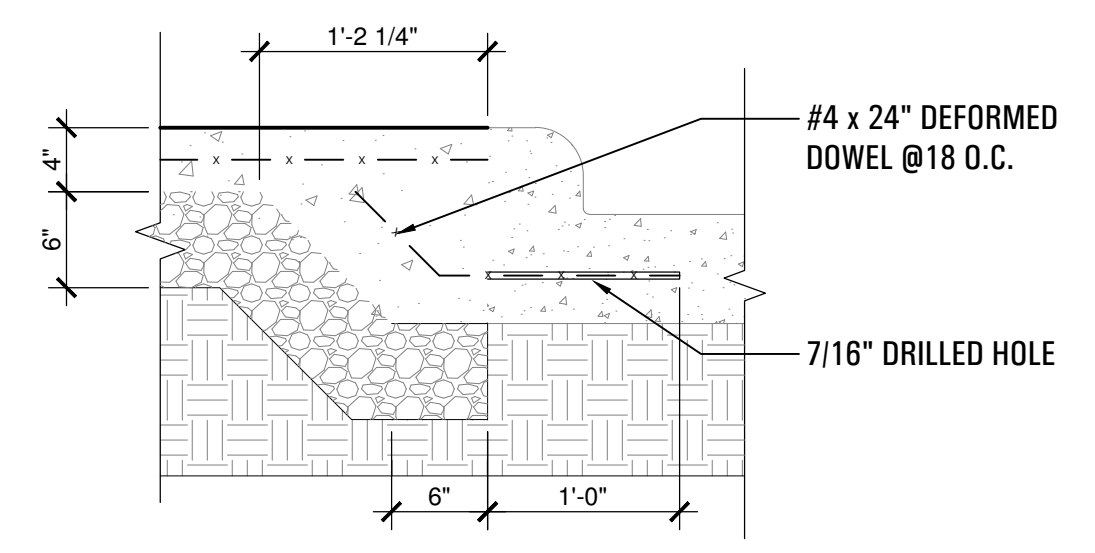
11 H/C SIGN
SCALE: 3/4" = 1'-0"



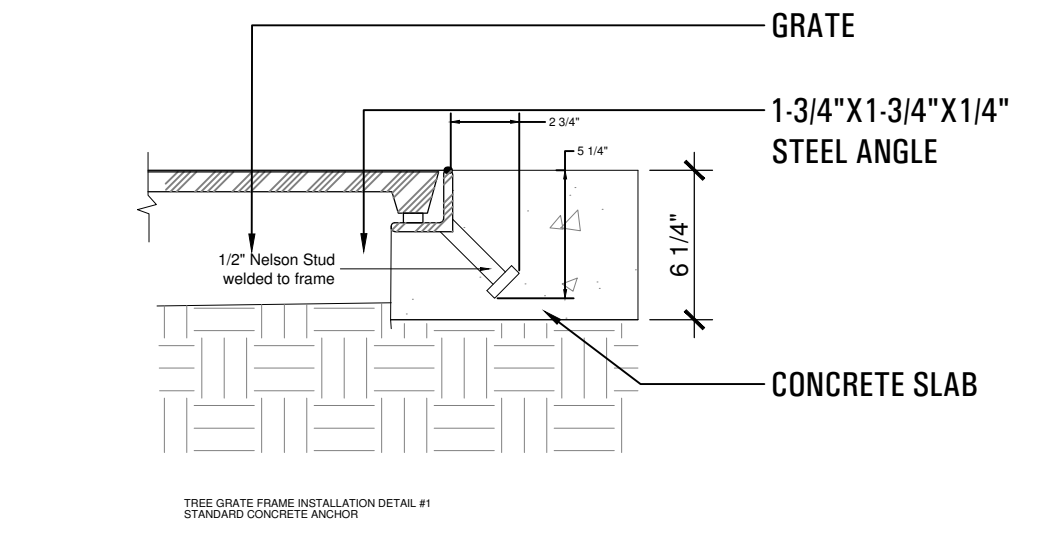
12 CONCRETE WHEELSTOP - SECTION
SCALE: 1 1/2" = 1'-0"



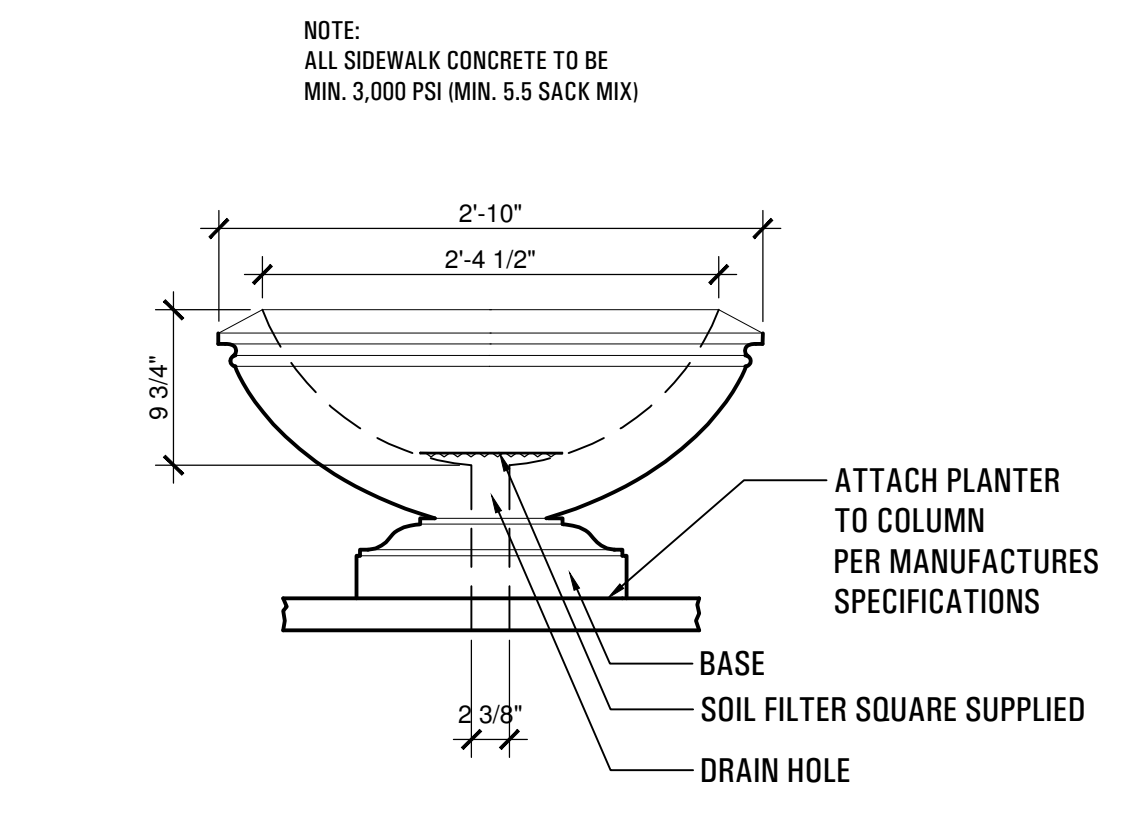
13 CONCRETE WHEELSTOP
SCALE: 3/4" = 1'-0"



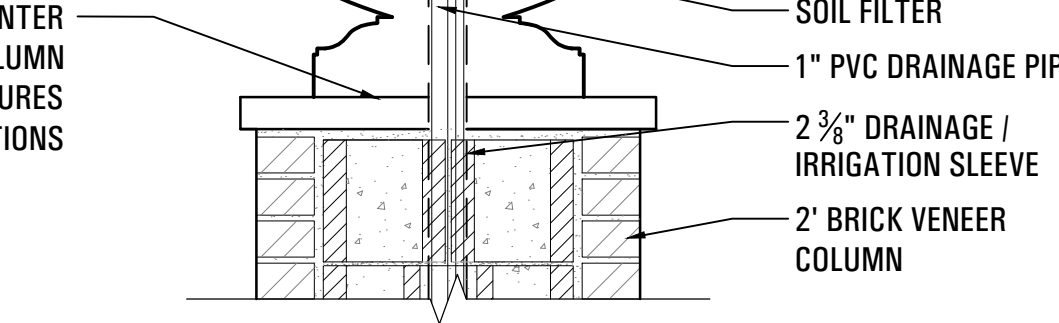
14 CONCRETE SIDEWALK @ EXISTING CURB
SCALE: 1" = 1'-0"



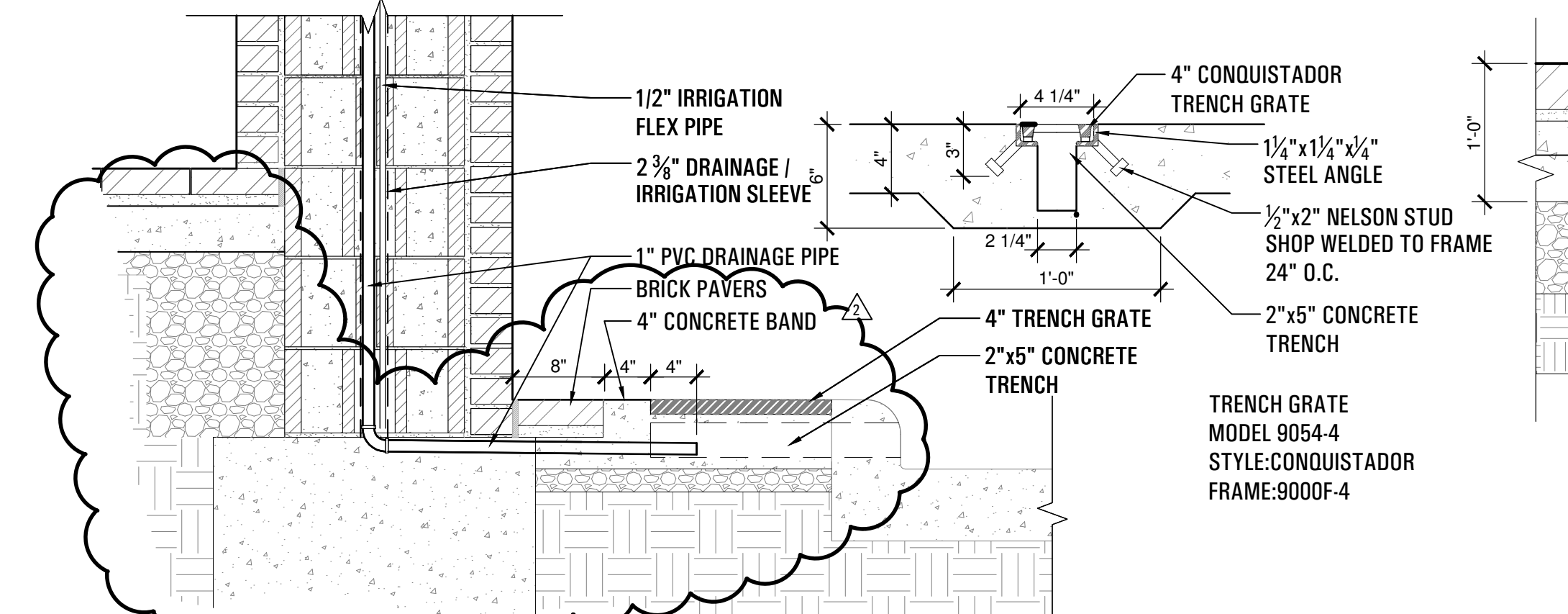
15 TREE GRATE @ CONCRETE SLAB
N.T.S.



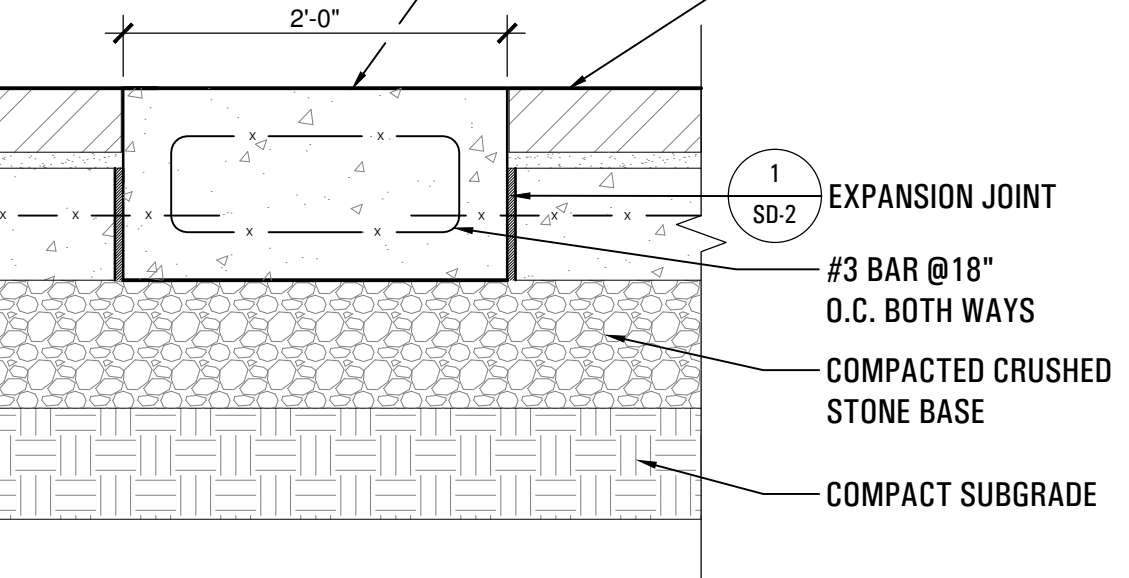
16 HIGHWOOD 34" PLANTER
SCALE: 1" = 1'-0"



17 DRAINAGE CONNECTION FROM PLANTER
SCALE: 1" = 1'-0"



18 DRAINAGE PIPE CURB OUTFALL
SCALE: 1" = 1'-0"



19 CONCRETE BAND
SCALE: 1" = 1'-0"

NOTE: ALL SIDEWALK CONCRETE TO BE MIN. 3,000 PSI (MIN. 5.5 SACK MIX)

submittals / revisions

no.	date	detail
▲	04/08/14	RFI #78
▲	04/28/14	RFI #59
▲	05/08/14	RFI #62

la terra studio, inc.
12024
its project number
02.26.2014
date
rac; bhm
drawn by
mtb
checked by
registration
MICHAEL T. BLANK
REGISTERED LANDSCAPE ARCHITECT
STATE OF TEXAS
2202
02.26.2014
sheet title