



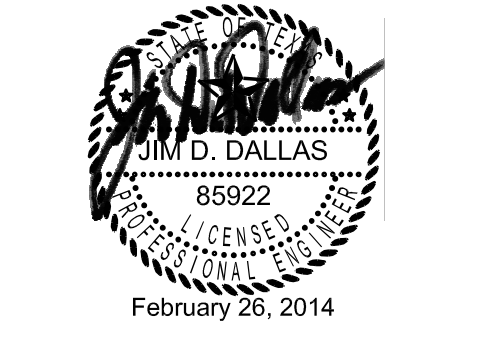
submittals / revisions

no.	date	detail
▲	4/2/14	Electrical Revisions
▲	5/8/14	Electrical Revisions
▲	5/21/14	Electrical Revisions
▲	7/22/14	'S2' Pole Base
▲	7/24/14	Utility Relocations

la terra studio, inc.

12024
 Its project number
 02.26.2014
 date
 C.A.D.
 drawn by
 J.W.
 checked by

registration



sheet title
Electrical Details & Schedules - Phase 2
 sheet number

EL2.03

LUMINAIRE SCHEDULE

TYPE	DESCRIPTION	MANUFACTURER/MODEL #	VOLTAGE	LAMPS	REMARKS
S1	POST TOP MOUNTED LED ACORN FIXTURE ON 12'-6" FLUTED POLE	HADCO, FIXTURE #C11540, BANNER ARM #CA11540A, POLE #CPI1540A	277V	LED5 FURNISHED	WITH BASE MOUNTED TRANSFORMER AND FUSE HOLDERS FOR RECEPTACLE. REFER 1/EL2.02 FOR POLE BASE DETAIL
S1A	SAME AS TYPE 'S1' EXCEPT W/ TWIN SIDED BANNER ARMS	HADCO, FIXTURE #C11540, (2) BANNER ARMS #CA11540A, POLE #CPI1540A	277V	LED5 FURNISHED	WITH BASE MOUNTED TRANSFORMER AND FUSE HOLDERS FOR RECEPTACLE. REFER 1/EL2.02 FOR POLE BASE DETAIL
S2	ARM MOUNTED LED ACORN FIXTURE @ 16'-0" A.F.G. ON 25'-0" FLUTED POLE	HADCO, FIXTURE #C11540, (2) BANNER ARMS #CA11540A, POLE #CPI1540B MOD W/ #CA11540B ARM BRACKET	277V	LED5 FURNISHED	WITH BASE MOUNTED TRANSFORMER AND FUSE HOLDERS FOR RECEPTACLE. REFER 1/EL2.02 FOR POLE BASE DETAIL
S3	FESTOON LIGHTS ANCHORED TO EYE BOLT AT TOP OF 'S2' POLES	TK1STAR #EXBK-12-WU-F (MOUNTING) #EX-MDA-BK (POWER SUPPLY) #T24-300	24V	FURNISHED	PROVIDE WITH 1/8" ROUND AIRCRAFT CANTENARY CABLE
S4	SAME AS TYPE 'S1' EXCEPT W/ DUPLEX RECEPTACLE W/ IN-USE COVER AT POLE BASE ABOVE HAND HOLE FOR VENDOR POWER		277V		

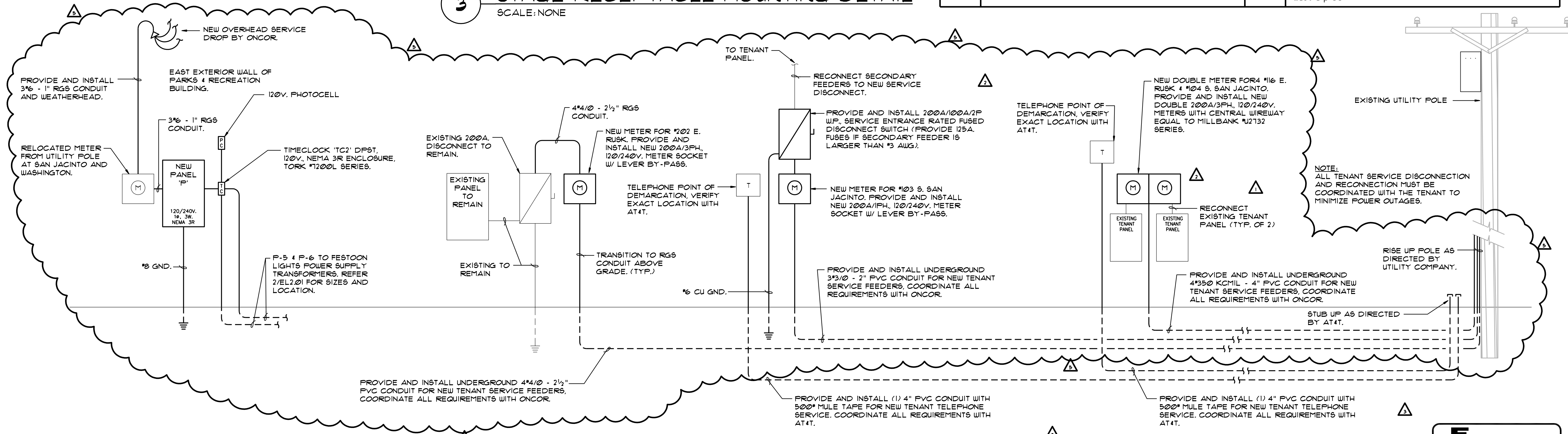
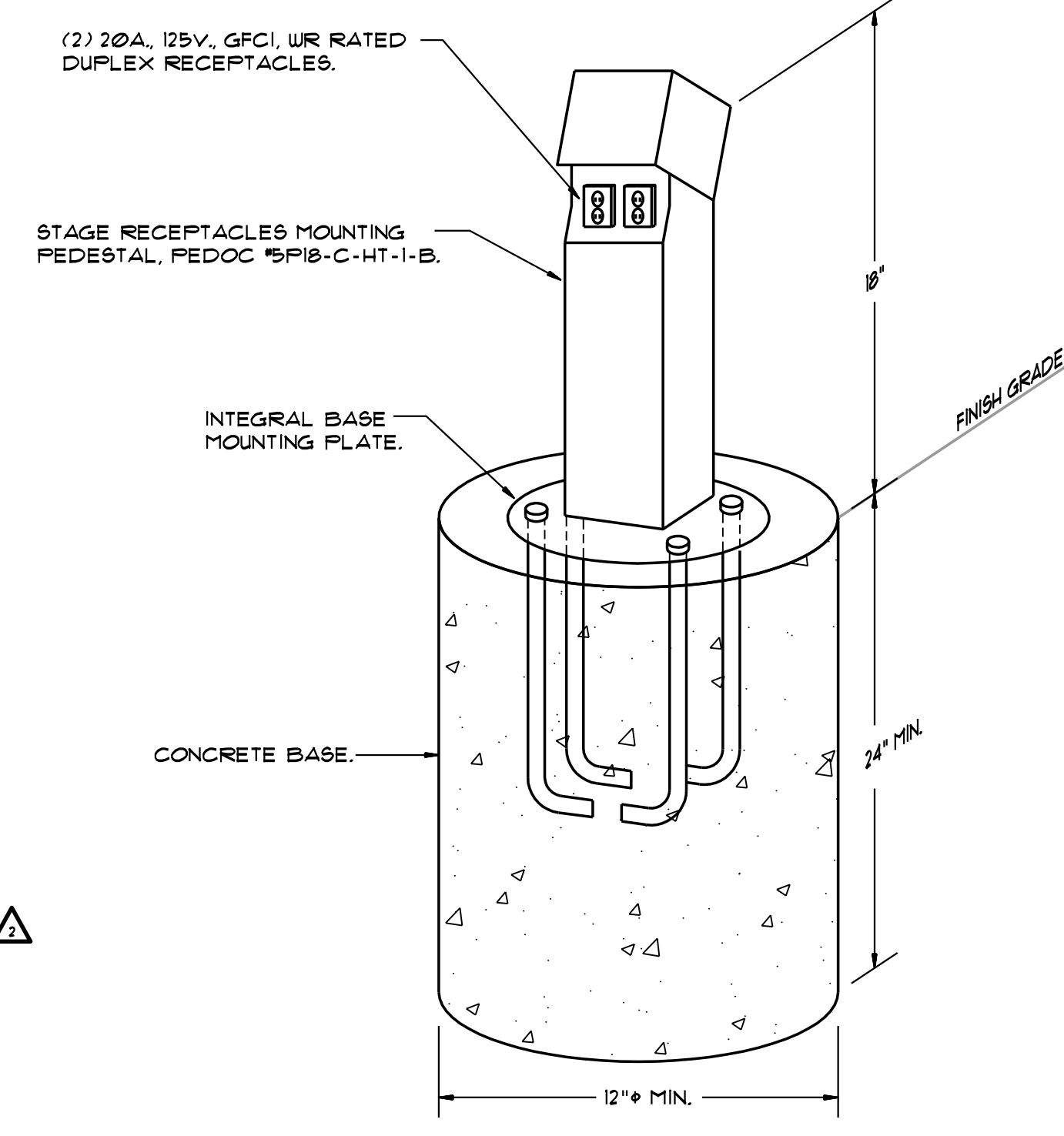
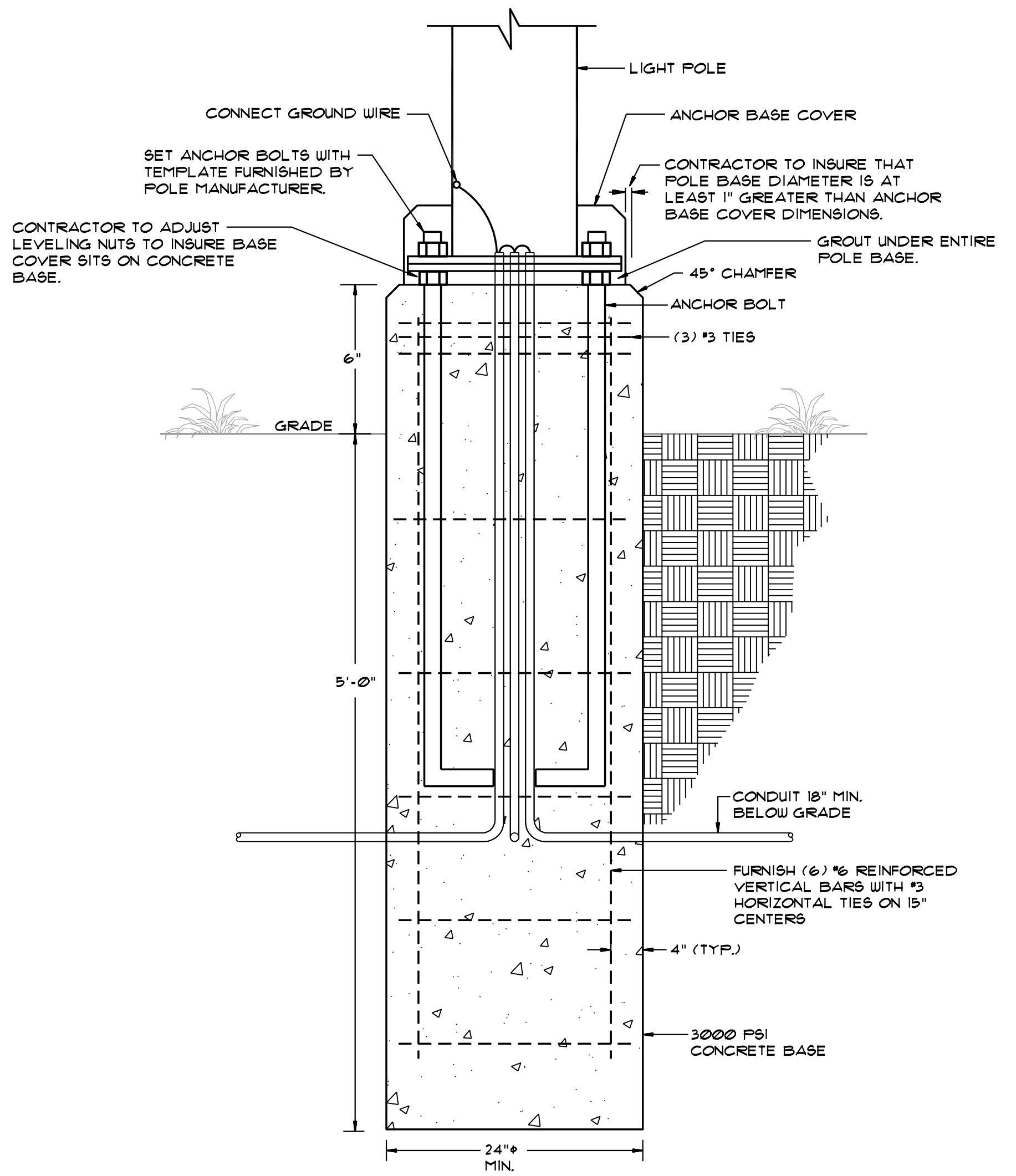
NEW PANEL 'P'

NOTES	DESCRIPTION	LOAD				DESCRIPTION	NOTES
		P - AMP	LIGHTING	POWER	PH / GFT #		
	Stage Receptacle	1 - 20		1200	1 A 2	1200	Stage Receptacle
	Stage Receptacle	1 - 20		1200	3 C 4	1200	Stage Receptacle
	Festoon Lights		300		5 A 6		Festoon Lights
	Space Only				7 C 8		Space Only
	Space Only				3 A 10		Space Only
	Space Only				11 C 12		Space Only
LOAD SUMMARY				CONN. KW	NEC DIV.	DIV. KW	
	LIGHTING		0.6	X 125	0.8		POLES SIZE 70A AMP
	POWER		4.8	X 10	4.8		MAINS 60 AMP MCB
	OTHER		0.0	X 10	0.0		VOLTS 120/240V, 1ø, 3W
TOTALS				5.4		5.6	A.I.C. 10K
							MOUNTING Surface
							ENCLOSURE NEMA 3R
PROJECT	Downtown Rockwall Streetscape - Phase 2		NOTES:	PANEL AMP5		23	
PANEL LOCATION:	Back of Stage @ Pedestrian Mall			LOADS PER PHASE:			
DATE:	February 2014			PHASE A (KW)		3.0	
				PHASE C (KW)		2.4	

ELECTRICAL SYMBOL LEGEND

NOTE: NOT ALL SYMBOLS APPEAR ON ALL DRAWINGS

SYMBOL	DESCRIPTION	SYMBOL	DESCRIPTION
⊕	Pole/Arm Mounted Area Light w/ Twin Sided Banner Arms (Arrow Denotes Banner Arm Orientation)	⊖	Flush in Wall Duplex Receptacle
⊕	Post Top Mounted Area Light w/ Single Sided Banner Arms (Arrow Denotes Banner Arm Orientation)	⊖	Flush in Wall Duplex Receptacle - Ground Fault Circuit Interrupt
---	String Lights	⌚	Timeclock
---	Conduit In Or Under Floor / Grade	☀	Photocell
---	HomeRun To Panelboard In Or Under Floor / Grade	☑	Surface Mounted Branch Circuit Panel
---	Wire Run Indicating Ground Wire, Phase And Neutral Conductors	⊗	Fused Disconnect Switch
☑	Junction Box Flush With Grade	⊕	Transformer
☑	Weatherproof		



EA ENGINEERING ASSOCIATES
 TX REG # 4925
 Ph: 940.427.8487 Fax: 940.427.8499
 P.O. Box 167 Alford, TX 76225