



submittals / revisions

no.	date	detail
1	4-8-14	RFI #70

la terra studio, inc.

12024
Its project number
4.8.2014
date
bgp
drawn by
bgp
checked by

registration



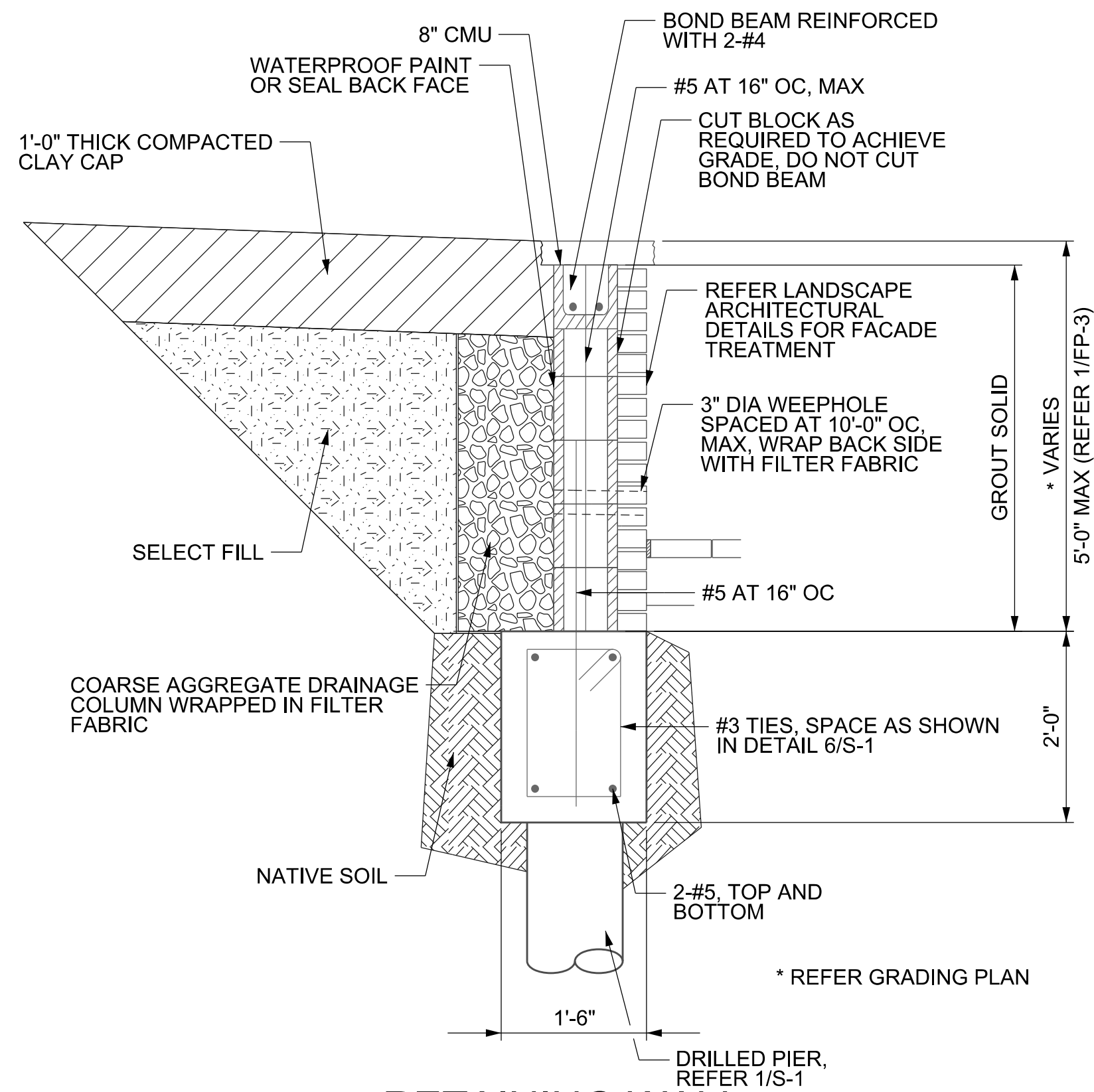
4-8-14

sheet title

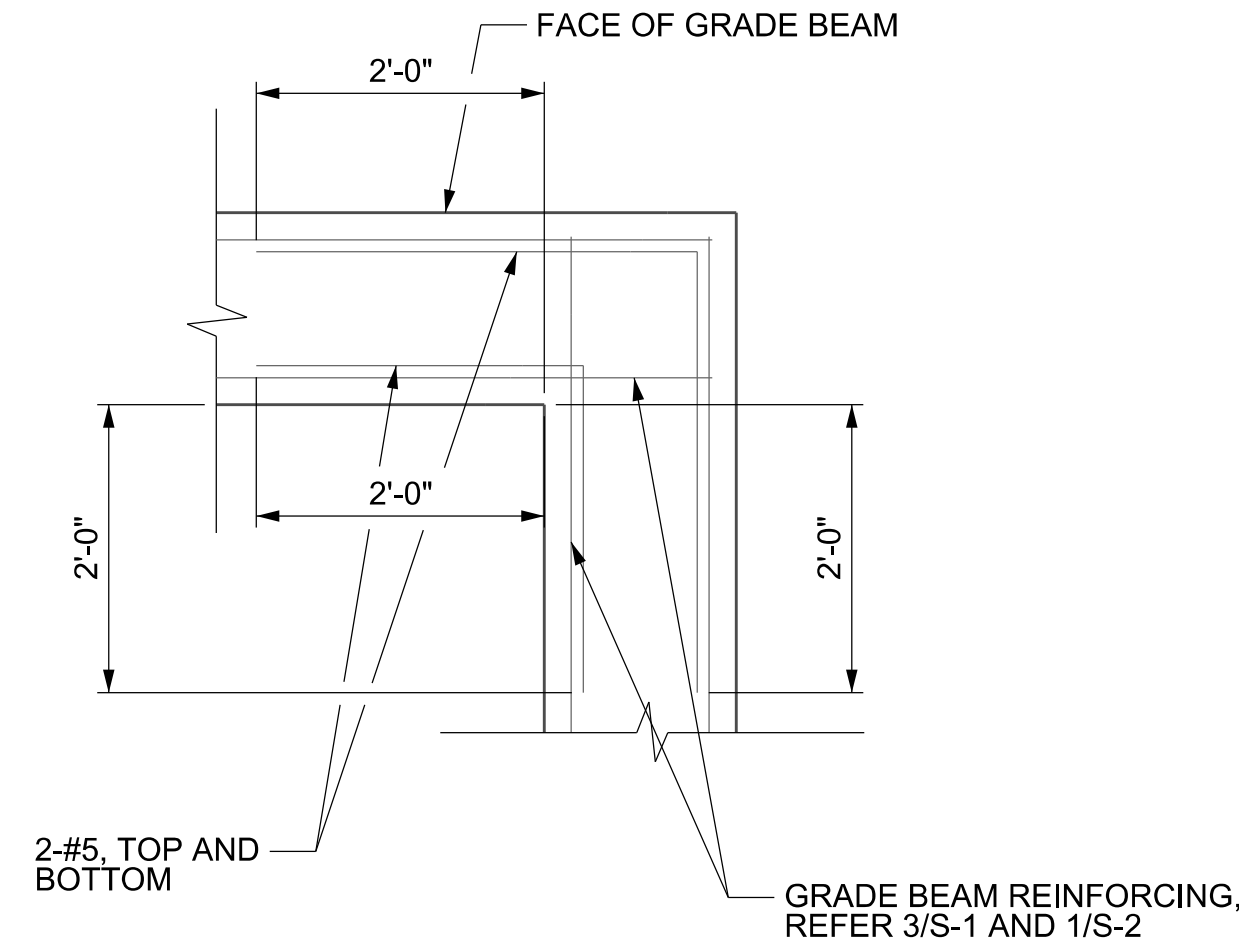
STRUCTURAL DETAILS

sheet number

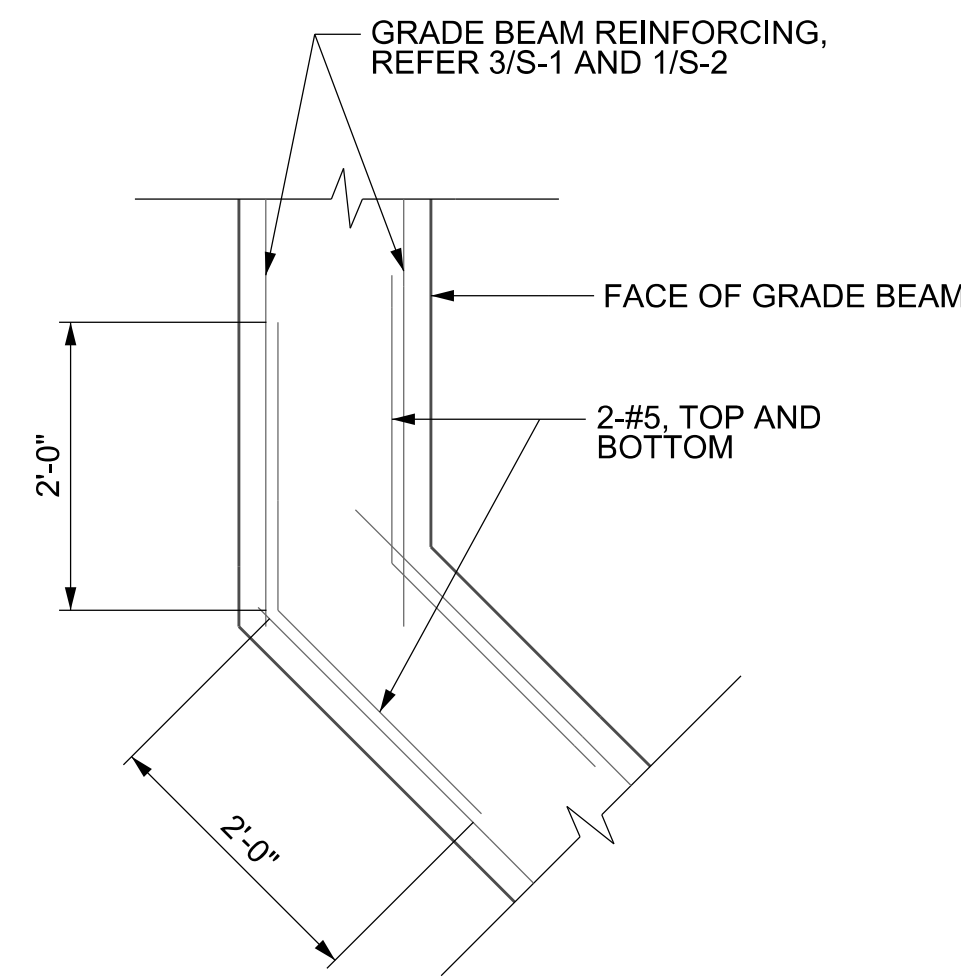
S-2



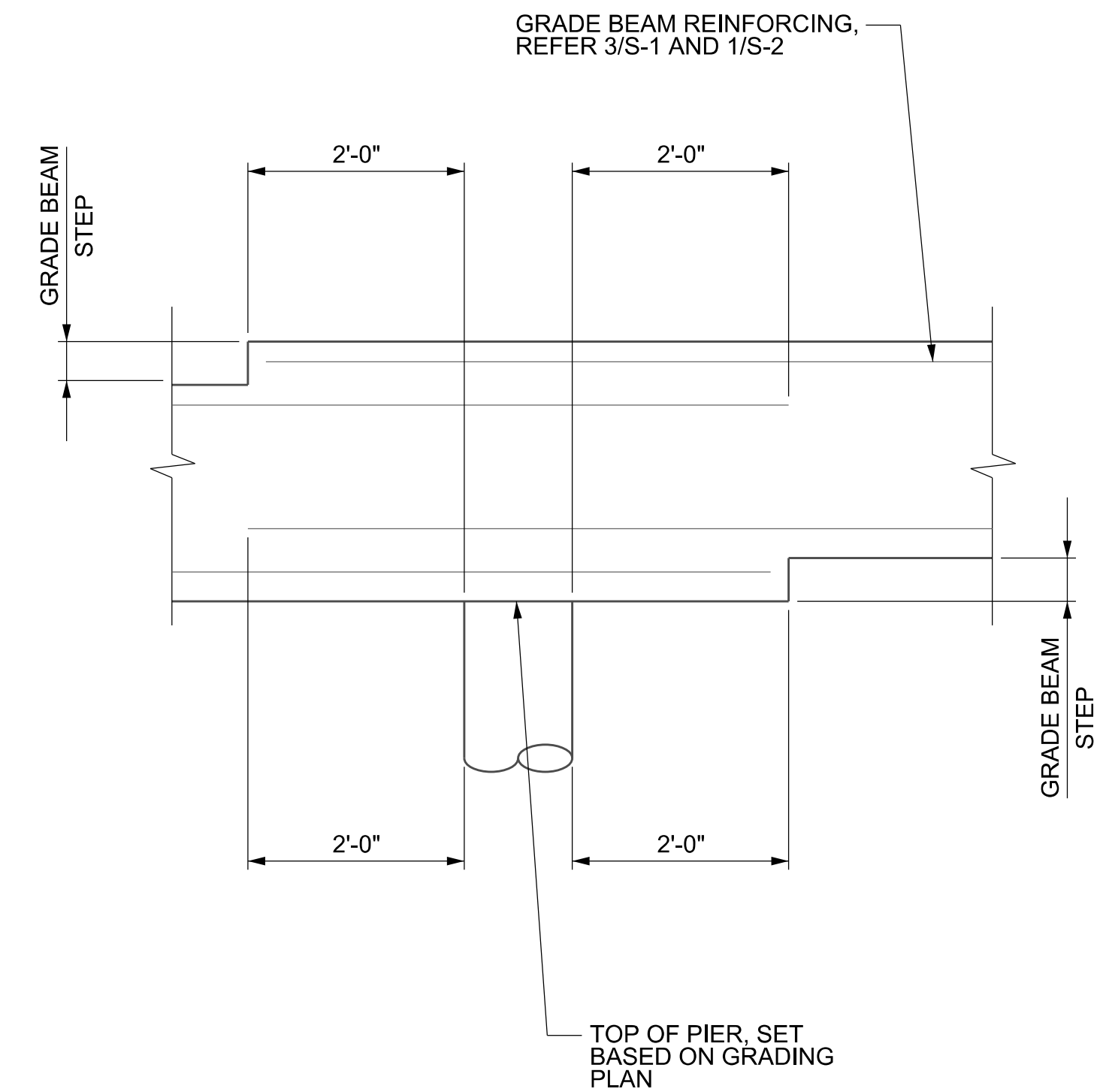
1 RETAINING WALL
S-2 SCALE: 3/4" = 1'-0"



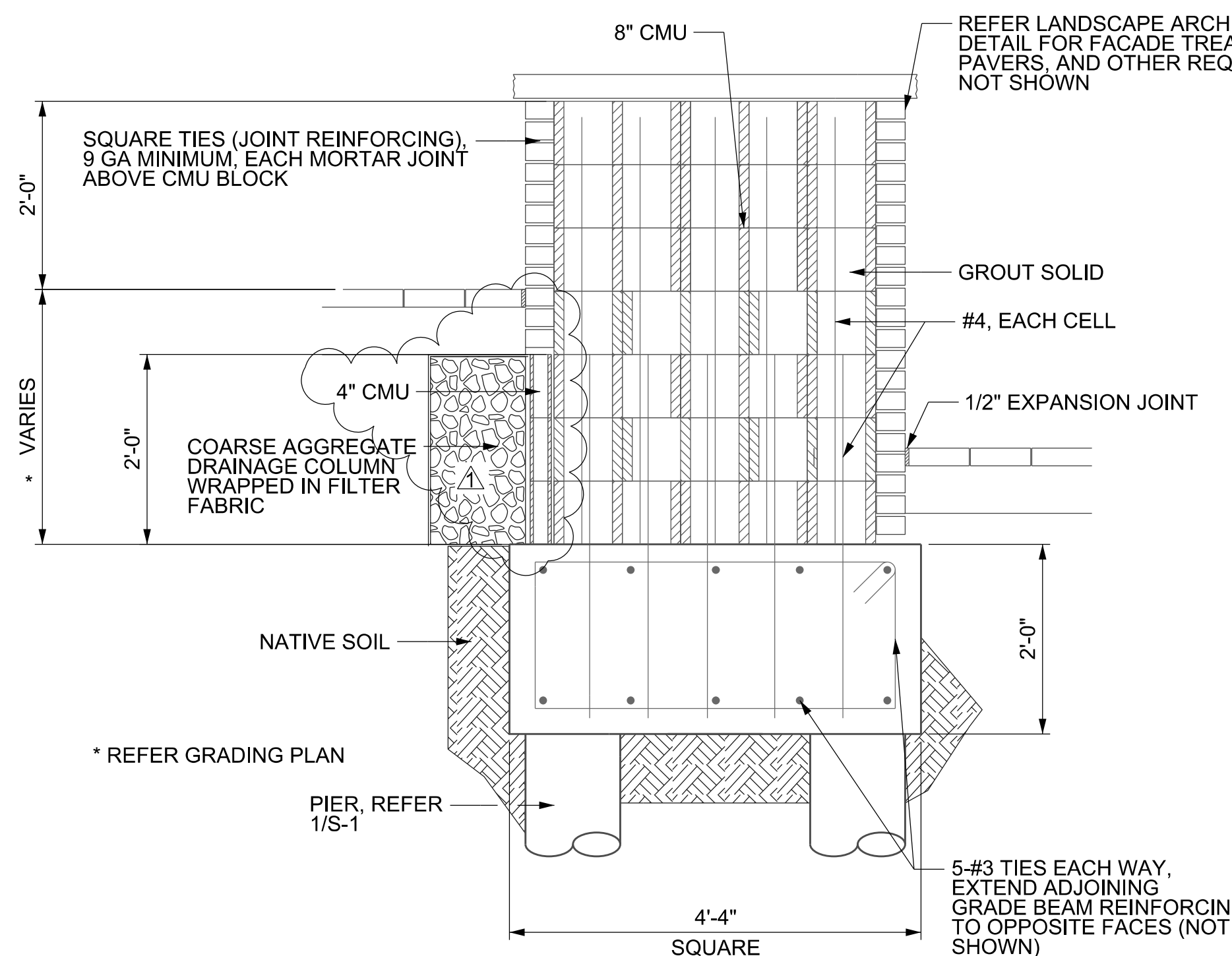
2 GRADE BEAM CORNER
S-2 SCALE: 3/4" = 1'-0"



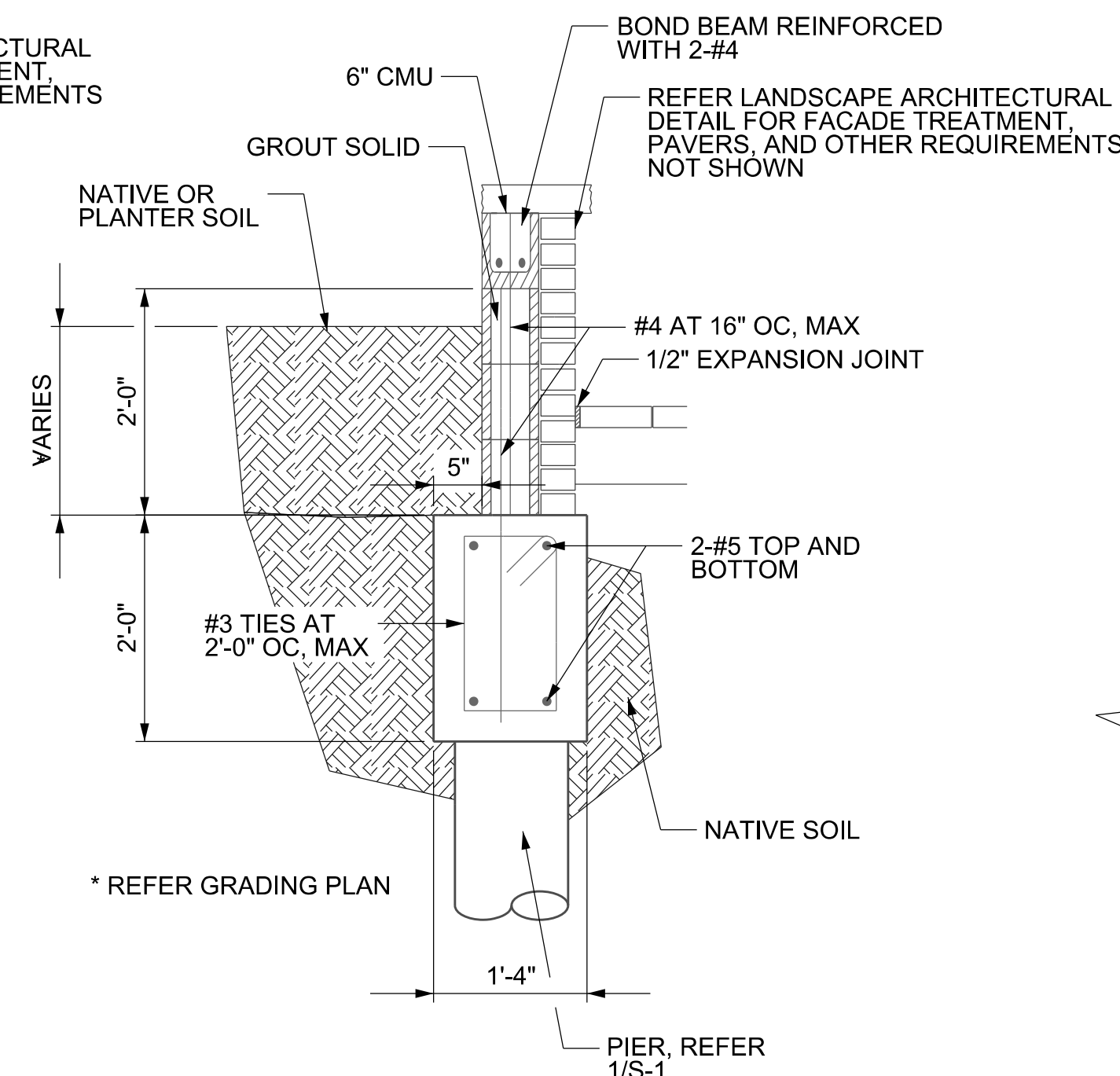
3 GRADE BEAM BEND
S-2 SCALE: 3/4" = 1'-0"



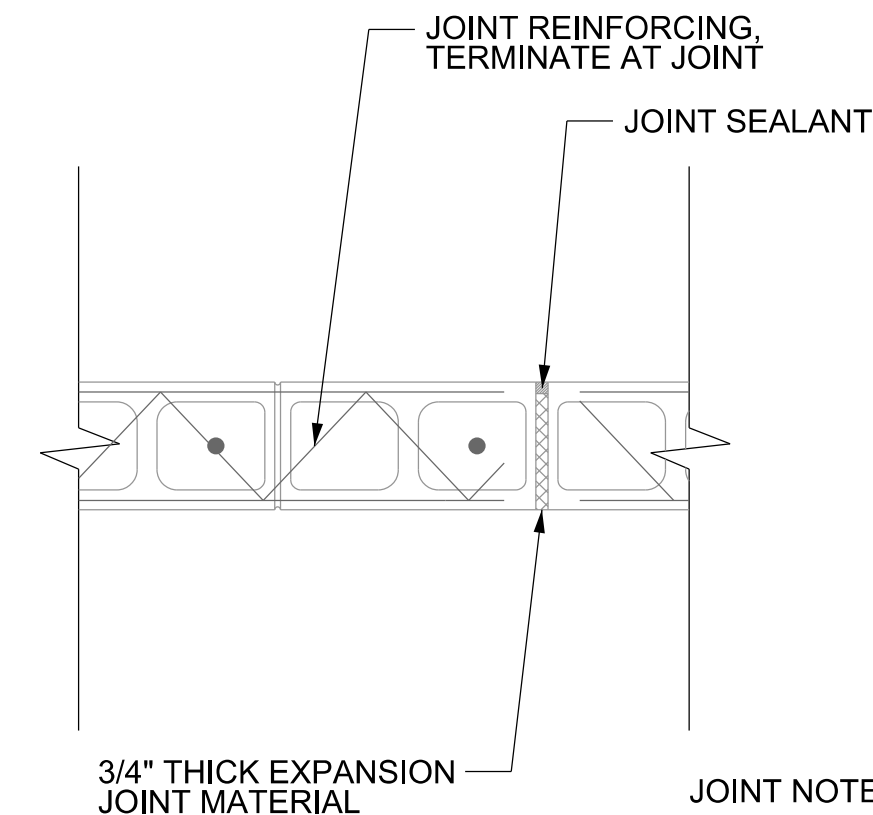
4 GRADE BEAM STEP
S-2 SCALE: 3/4" = 1'-0"



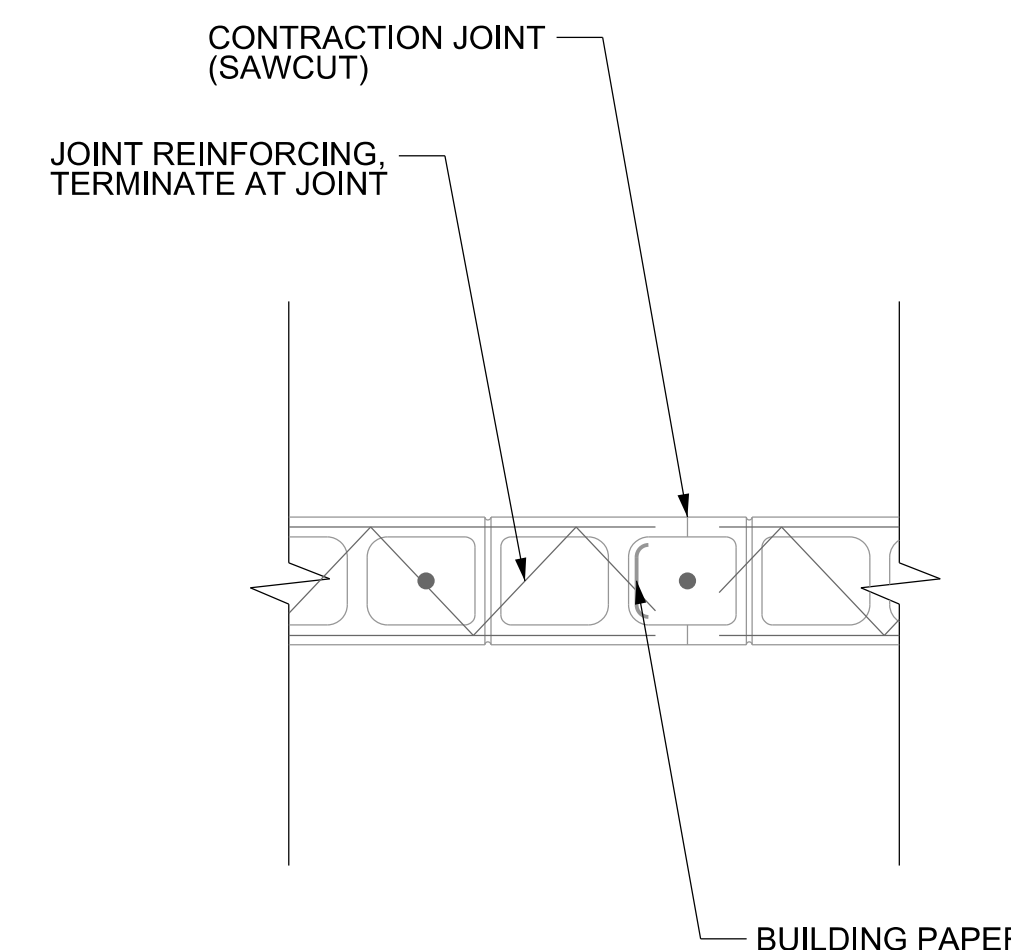
5 LARGE BRICK VENEER COLUMN
S-2 SCALE: 3/4" = 1'-0"



6 PLANTER WALL
S-2 SCALE: 3/4" = 1'-0"



7 EXPANSION JOINT
S-2 SCALE: 3/4" = 1'-0"



8 CONTRACTION JOINT
S-2 SCALE: 3/4" = 1'-0"

- JOINT NOTES:
1. JOINTS SHALL NOT EXTEND INTO GRADE BEAMS.
 2. MAXIMUM SPACING FOR EXPANSION JOINTS SHALL BE 40'-0".
 3. MAXIMUM SPACING FOR CONTRACTION JOINTS SHALL BE 20'-0".

FOR PROCUREMENT PURPOSES ONLY
PIERCE ENGINEERING
STRUCTURAL ENGINEERING
BUS.: (940) 937-8600 132 N. MAIN STREET
FIRM REG #: F-9186 CHILDRESS, TX 79201