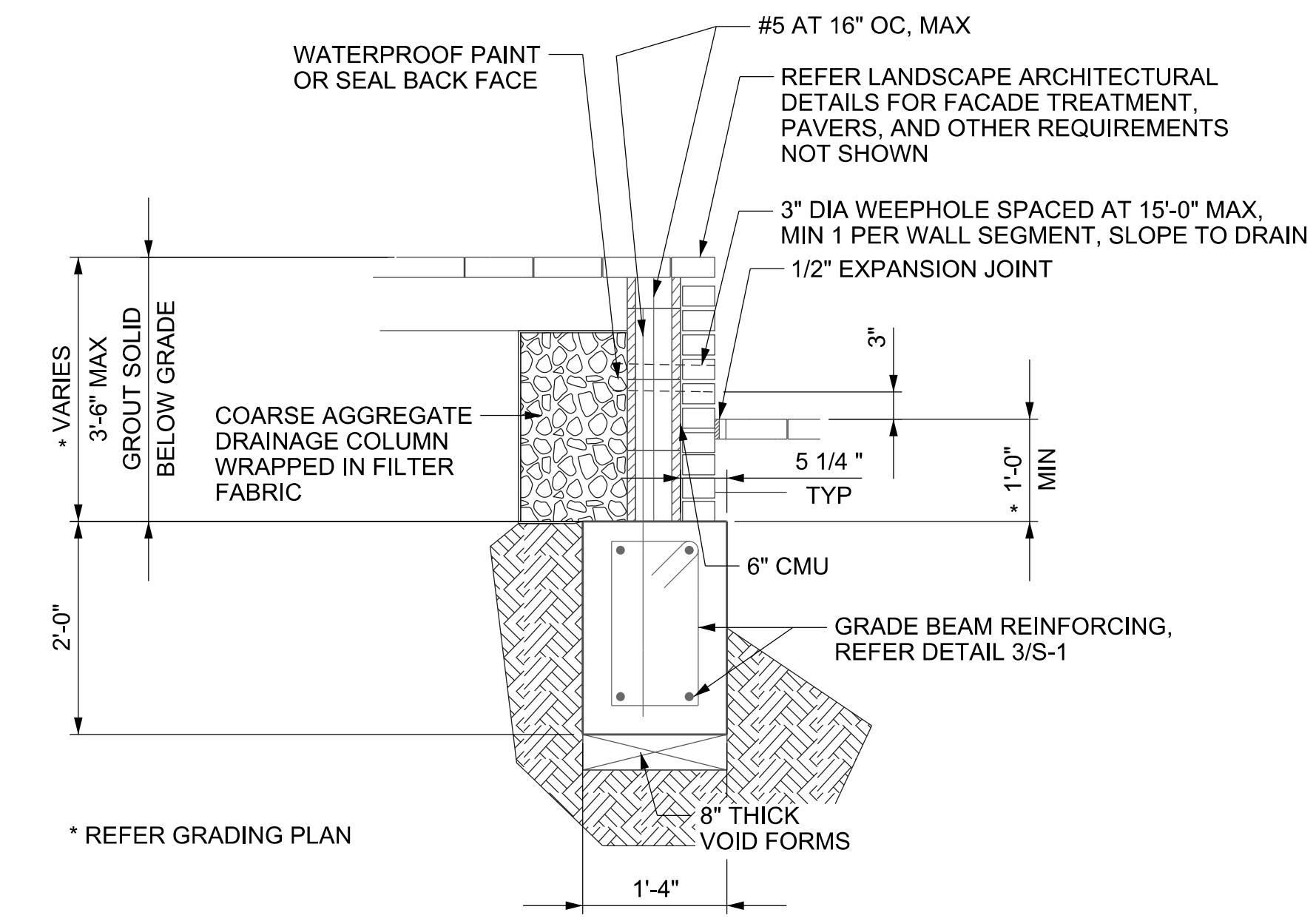
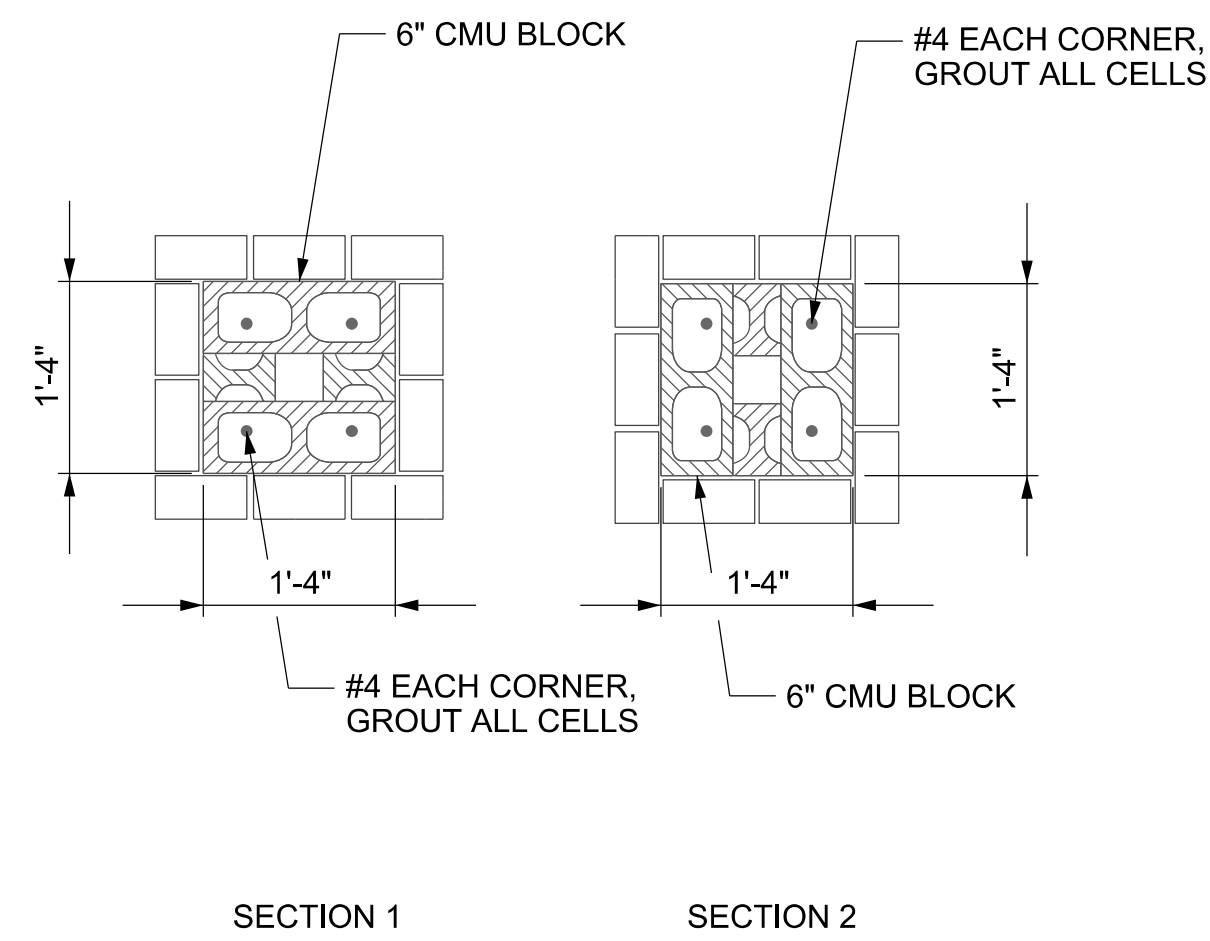


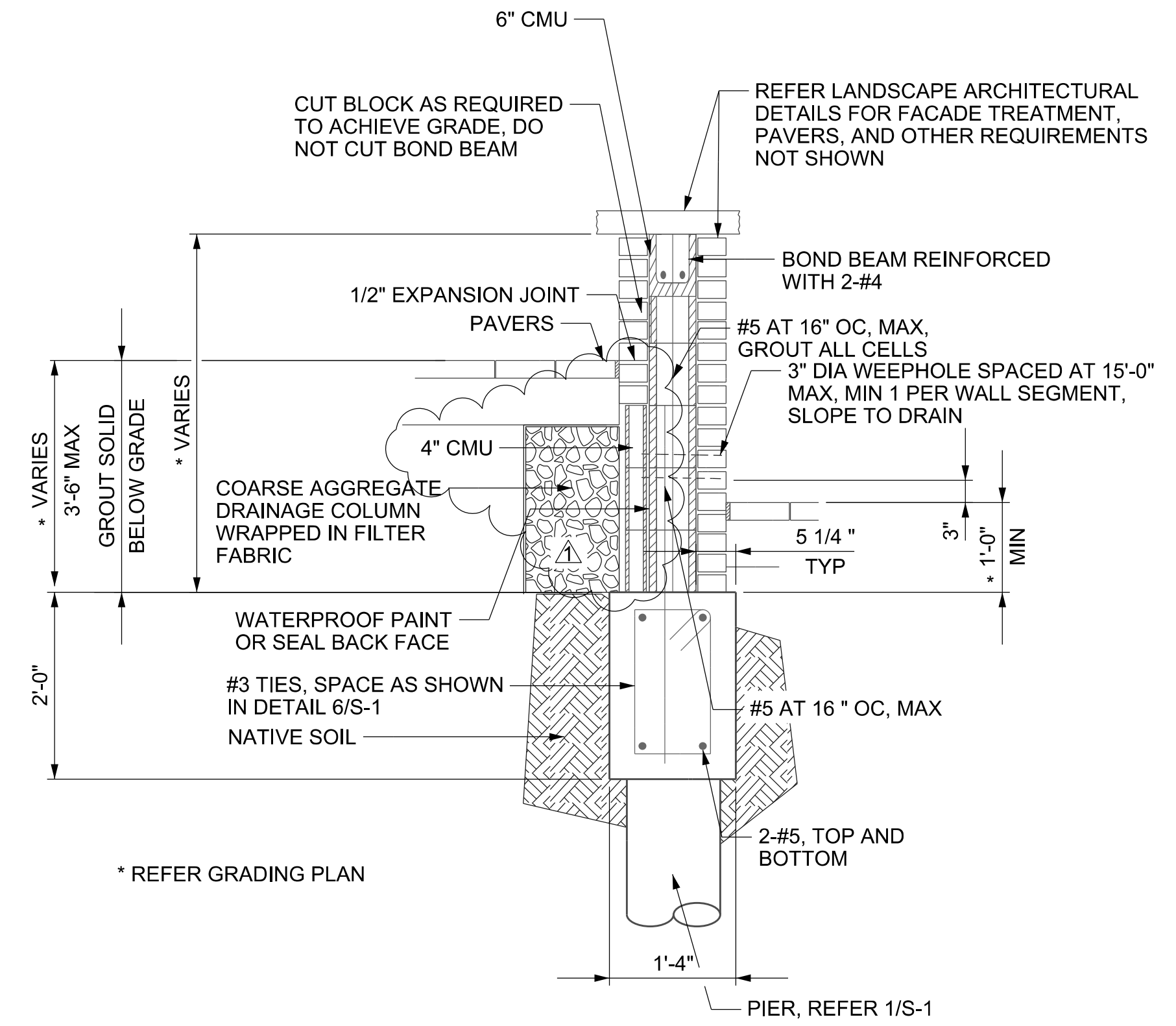
1 COLUMN SECTION
SCALE: 3/4" = 1'-0"



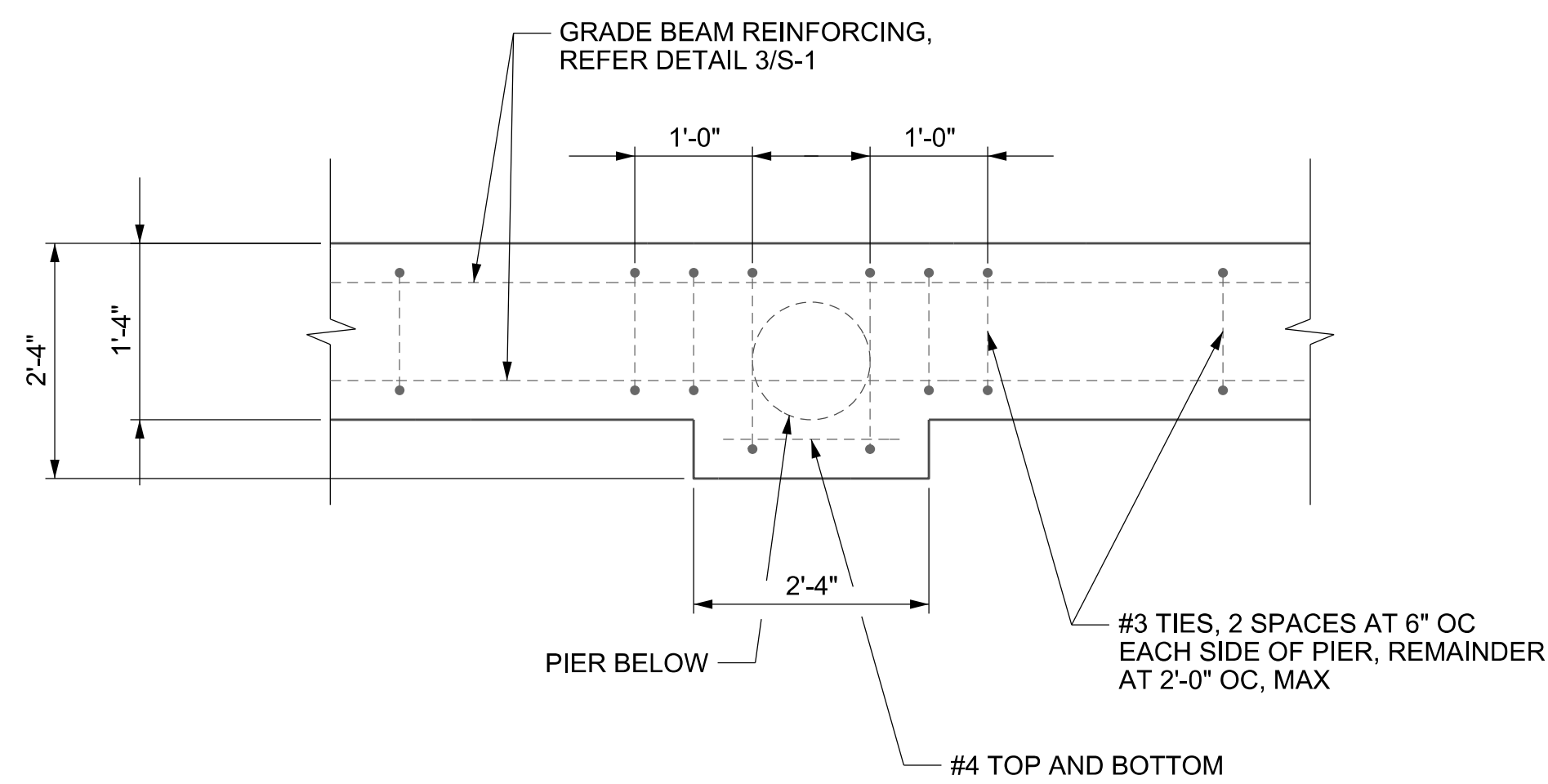
4 WALL SECTION
SCALE: 3/4" = 1'-0"



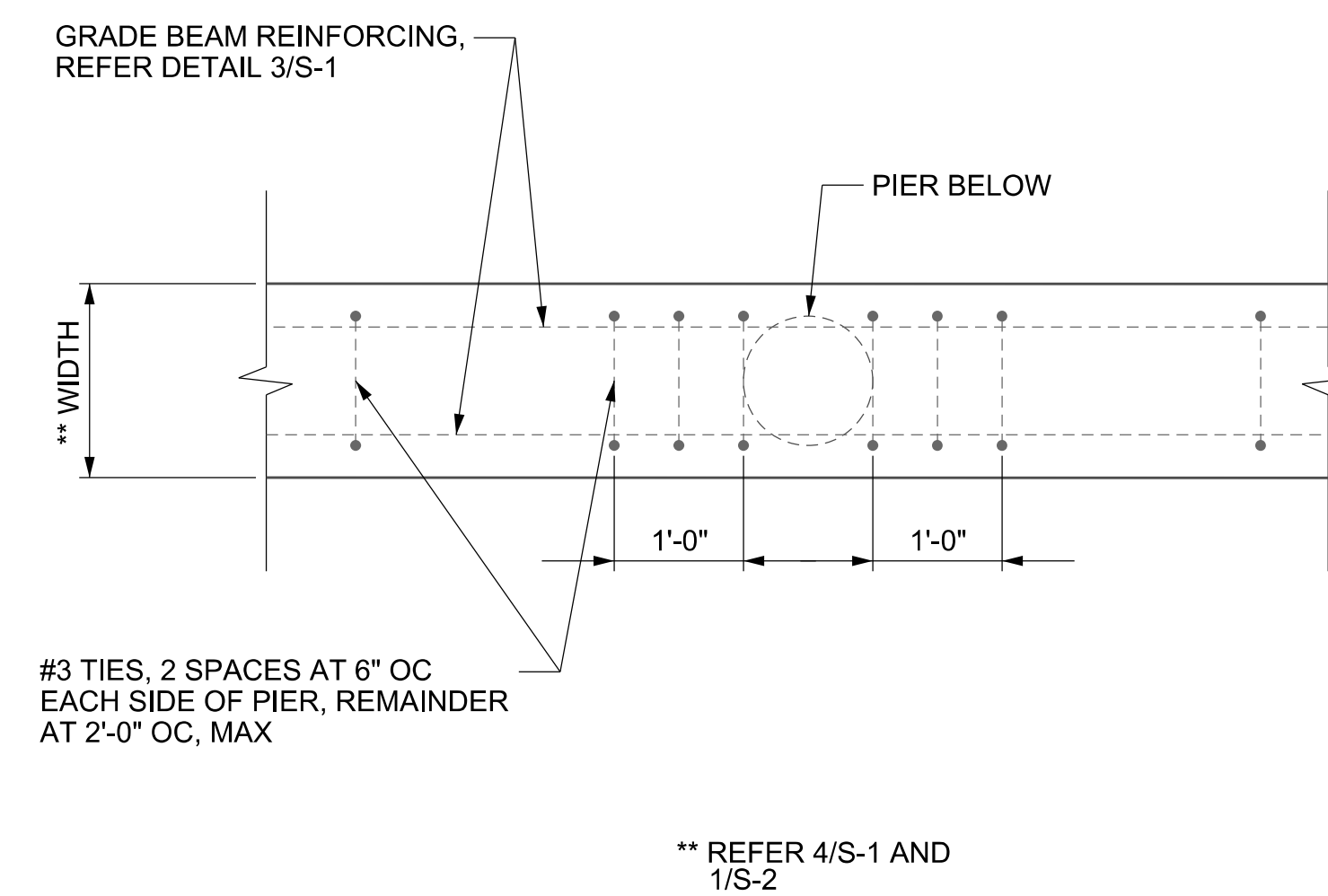
2 HORIZONTAL SECTIONS
SCALE: 3/4" = 1'-0"



3 WALL SECTION
SCALE: 3/4" = 1'-0"



5 FOUNDATION DETAIL
SCALE: NTS



6 FOUNDATION DETAIL
SCALE: 3/4" = 1'-0"



la terra studio



Pacheco Koch



Engineering Associates

Downtown Rockwall
Project # 12024 ~ renovation ~
streetscape improvements
rockwall, texas



submittals / revisions

no.	date	detail
1	4-8-14	RFI #70

la terra studio, inc.

12024
Its project number

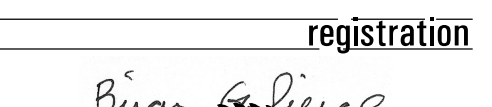
4.8.2014
date

bgp
drawn by

bgp
checked by

registration

4-8-14



Brian G. Pierce
Professional Engineer
94837

4-8-14

sheet title

STRUCTURAL DETAILS

sheet number

S-1

FOR PROCUREMENT PURPOSES ONLY
PIERCE ENGINEERING
STRUCTURAL ENGINEERING
BUS.: (940) 937-8600 132 N. MAIN STREET
FIRM REG #: F-9186 CHILDRESS, TX 79201