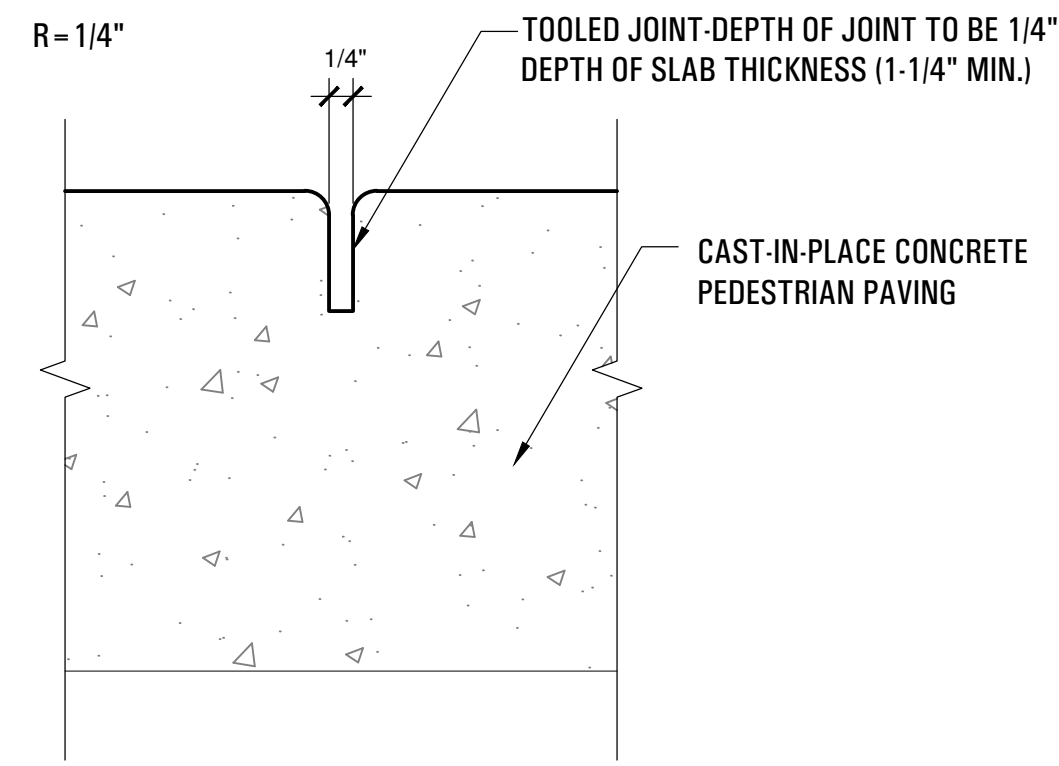
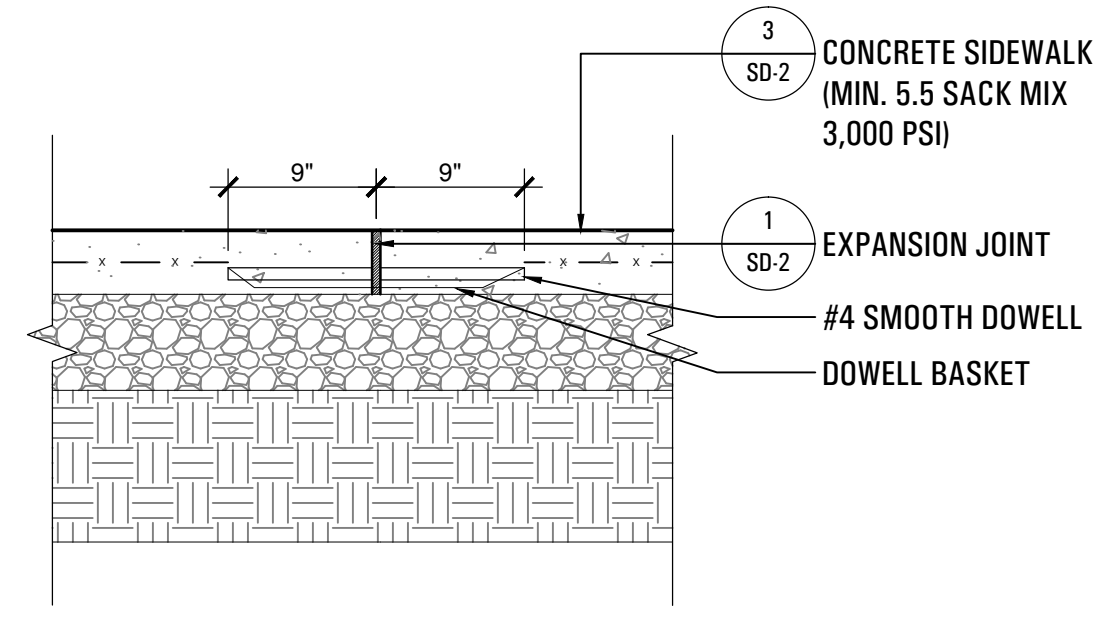


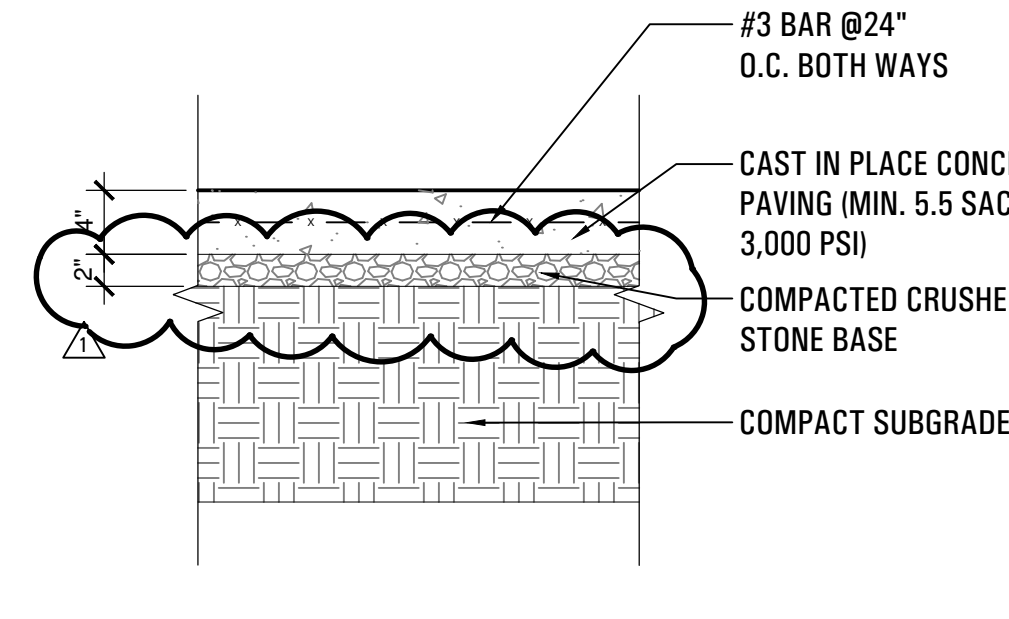
**1** EXPANSION JOINT  
SCALE: 6" = 1'-0"



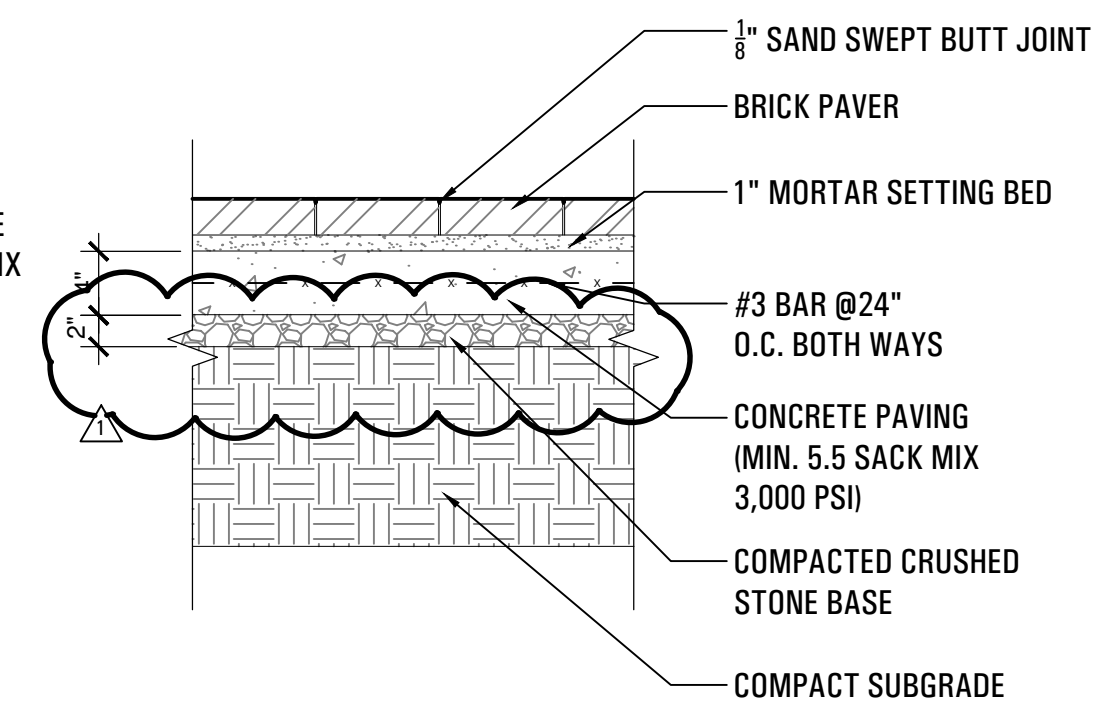
**2** CONTROL JOINT  
SCALE: 6" = 1'-0"



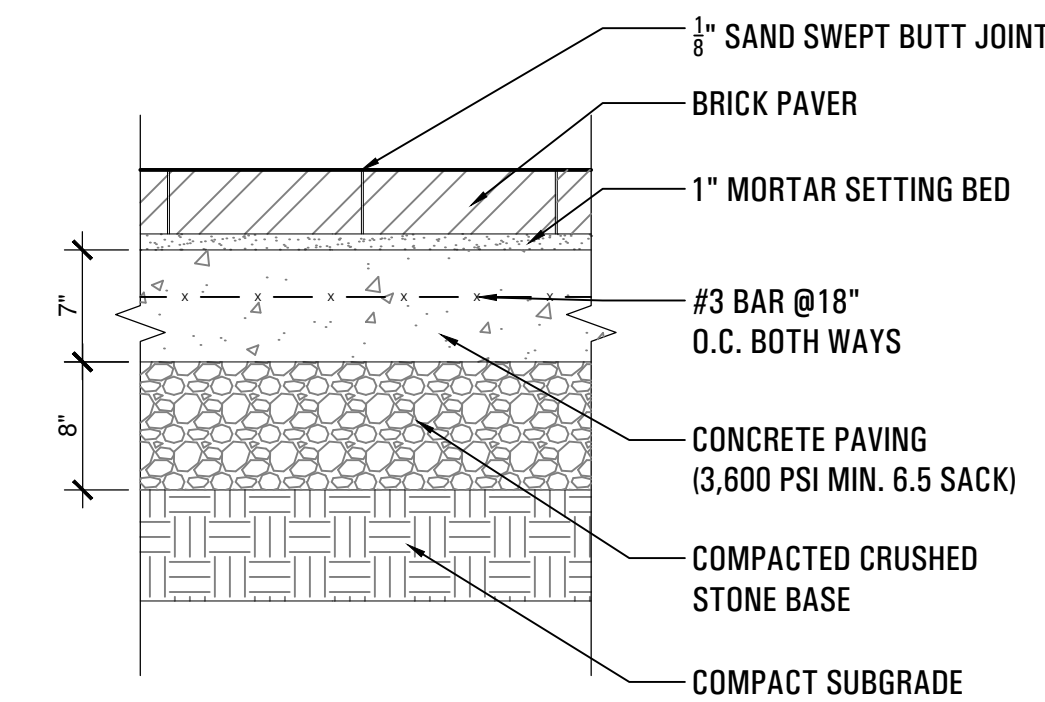
**3** DOWELLED EXPANSION JOINT  
SCALE: 1" = 1'-0"



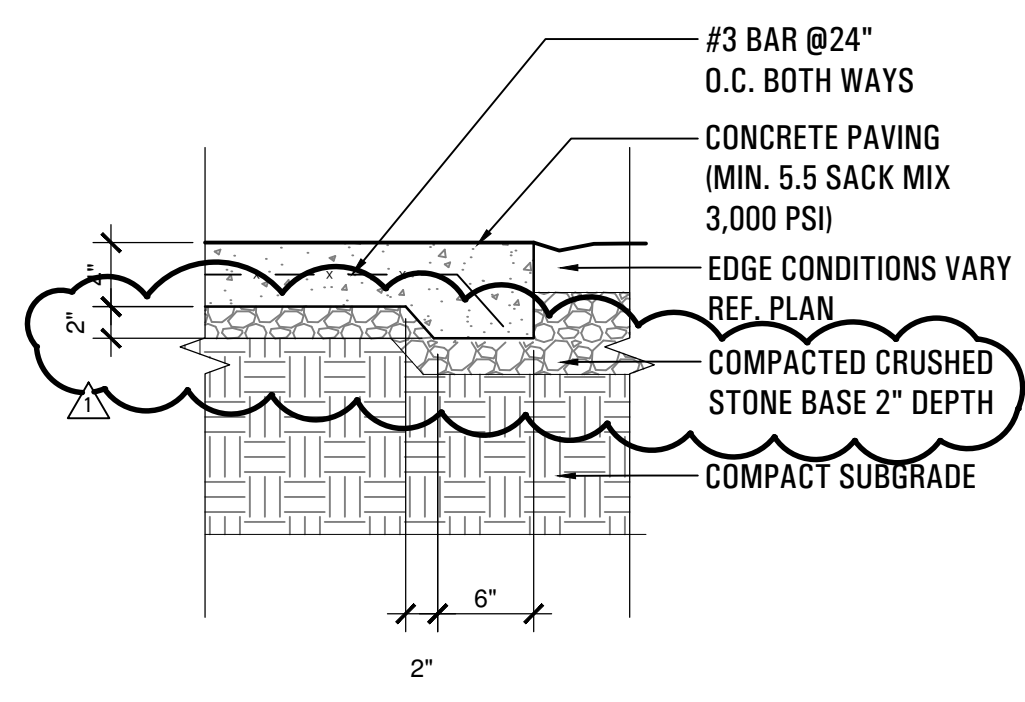
**4** CONCRETE SIDEWALK  
SCALE: 1" = 1'-0"



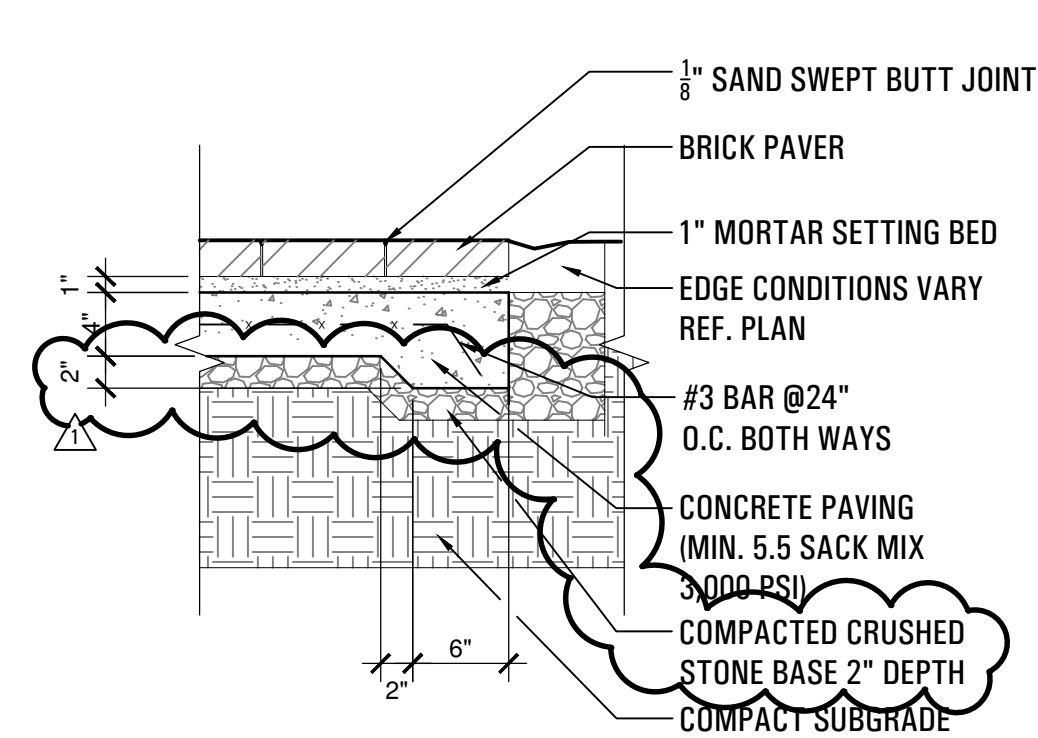
**5** PEDESTRIAN BRICK PAVER  
SCALE: 1" = 1'-0"



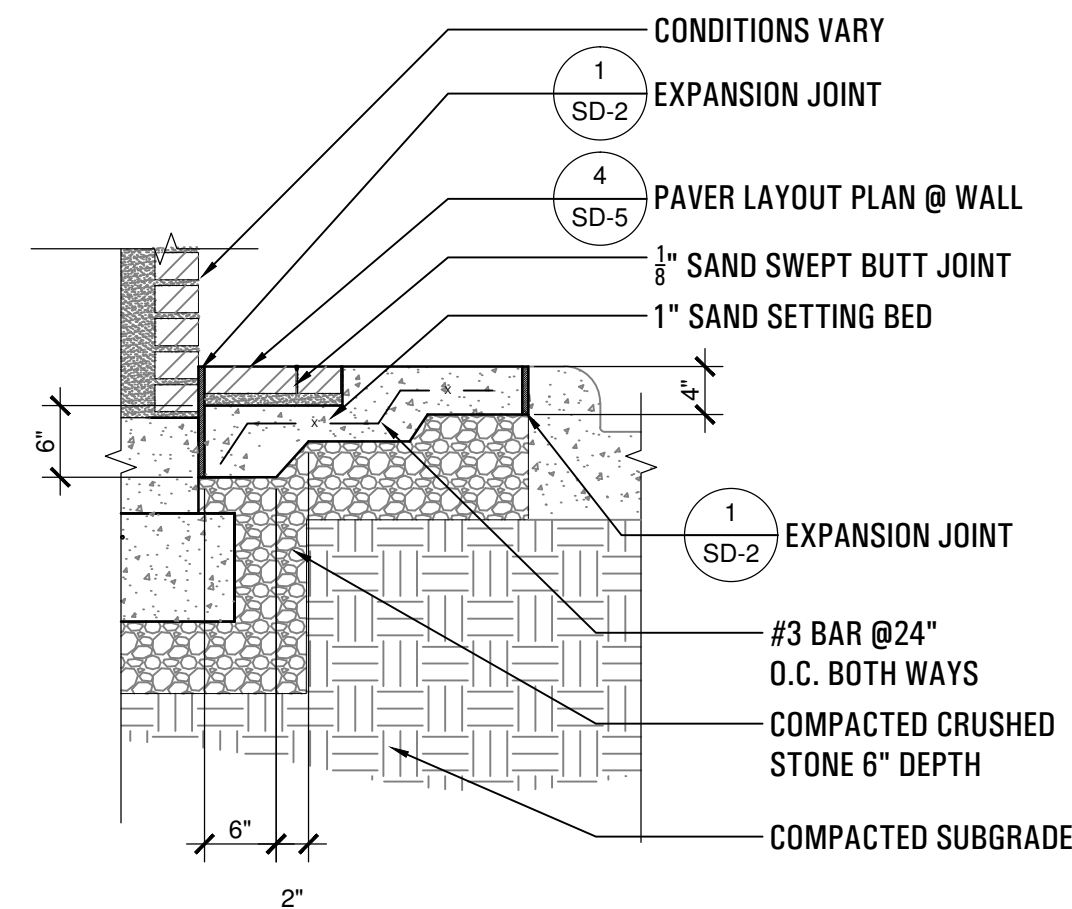
**6** VEHICULAR BRICK PAVER  
SCALE: 1" = 1'-0"



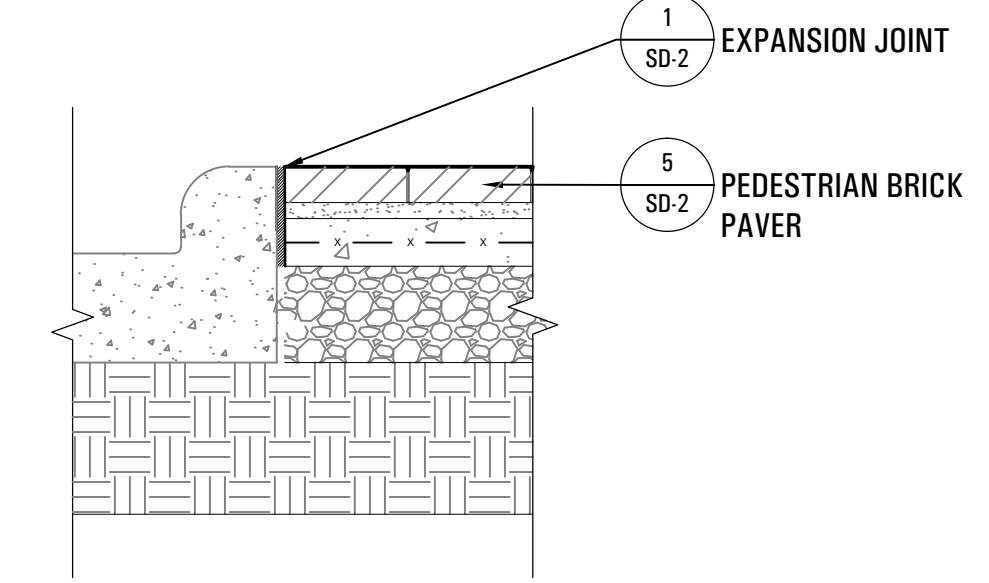
**7** CONCRETE SIDEWALK EDGE  
SCALE: 1" = 1'-0"



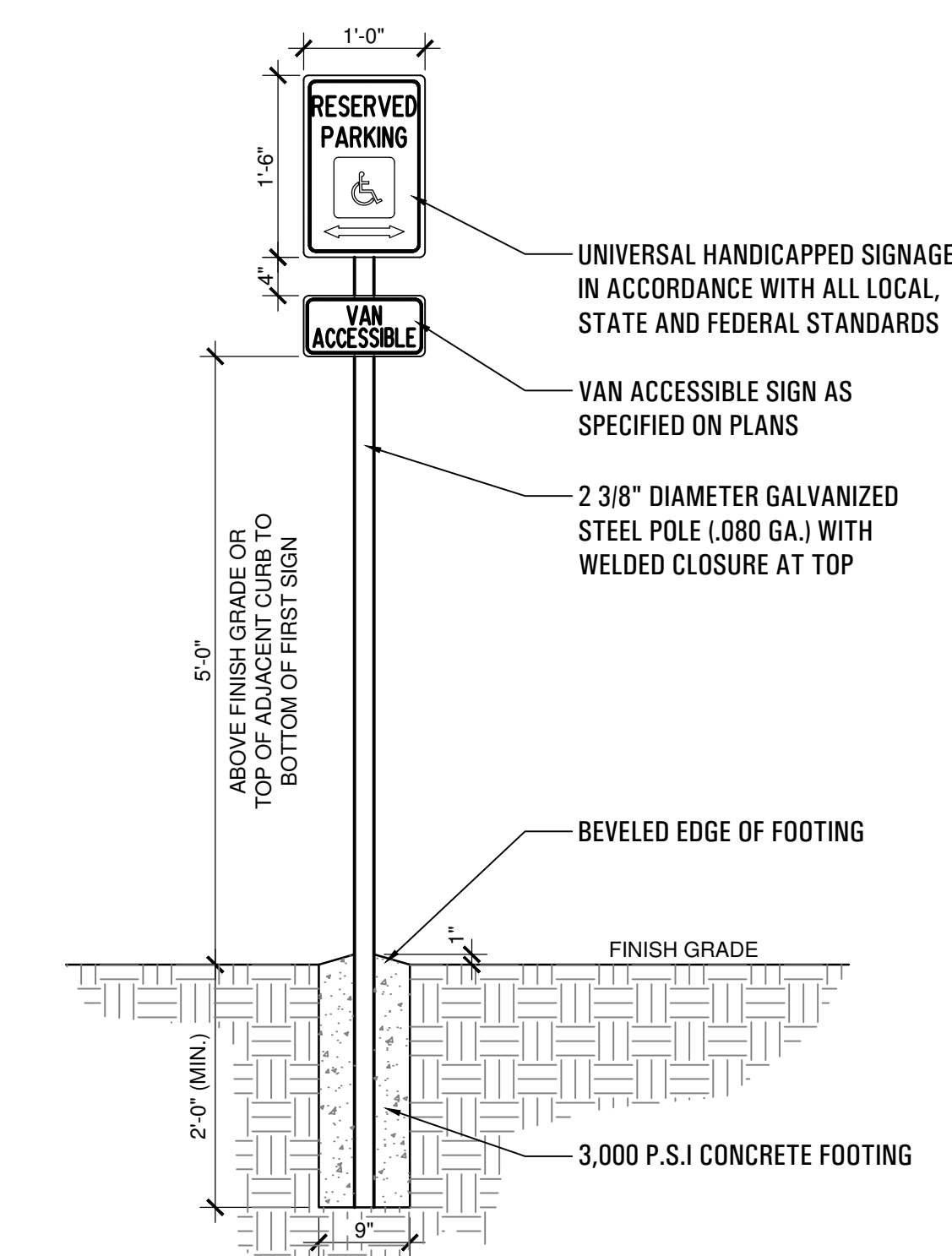
**8** PEDESTRIAN BRICK PAVER @ LANDSCAPE BED  
SCALE: 1" = 1'-0"



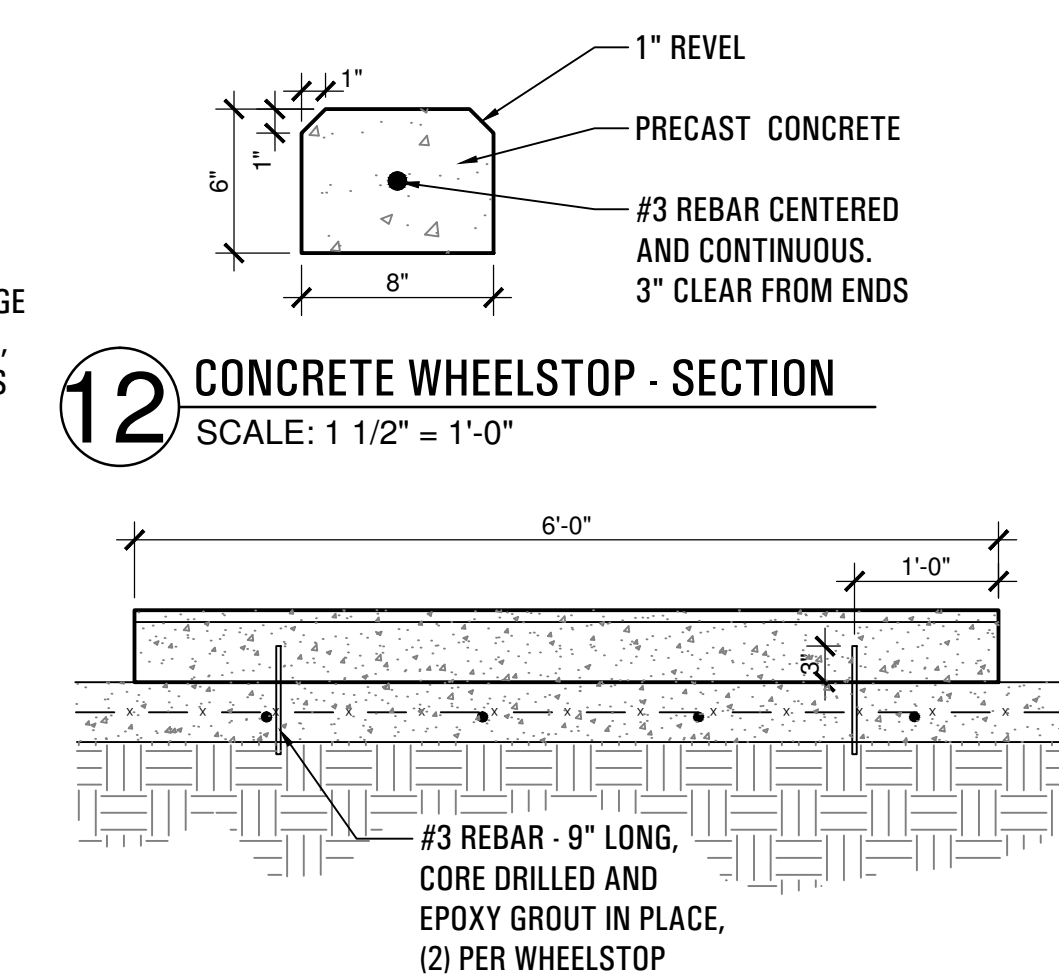
**9** PAVERS @ WALL  
SCALE: 3/4" = 1'-0"



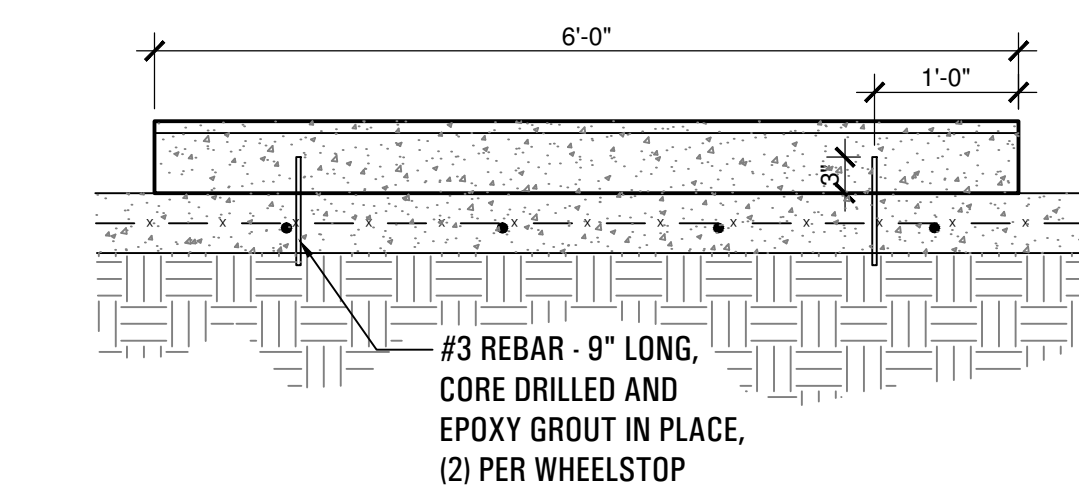
**10** PEDESTRIAN BRICK PAVER @ CURB  
SCALE: 1" = 1'-0"



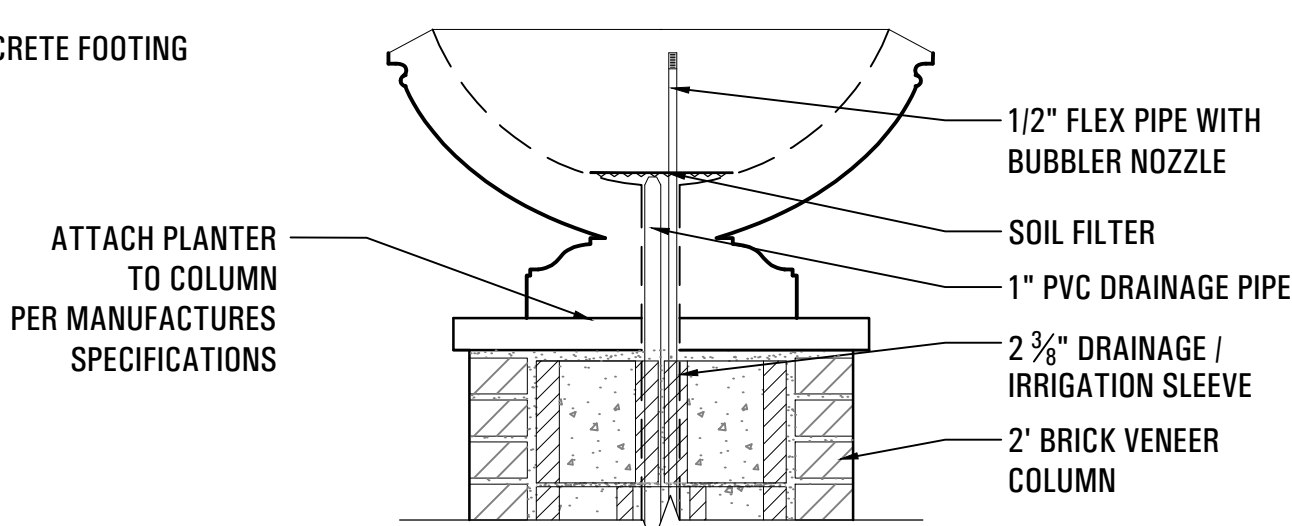
**11** H/C SIGN  
SCALE: 3/4" = 1'-0"



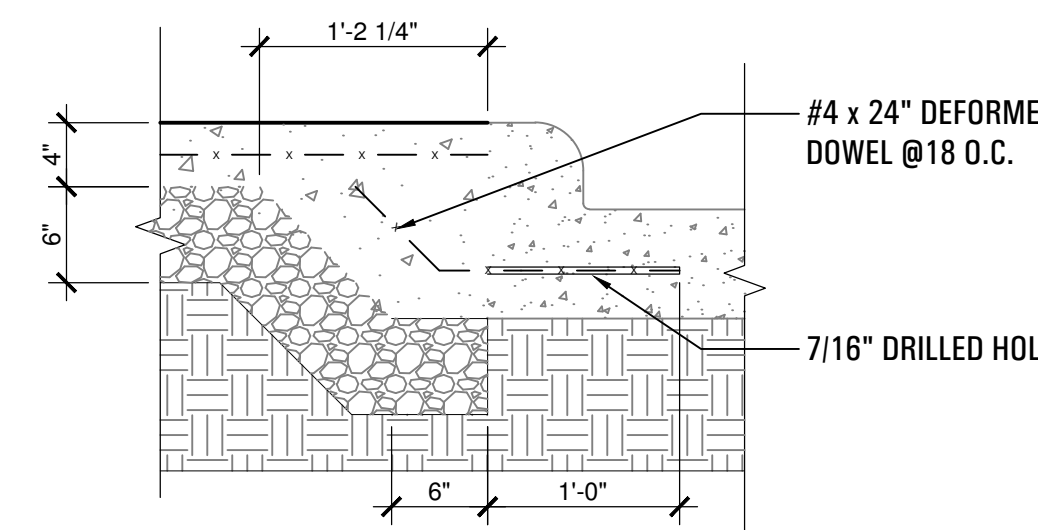
**12** CONCRETE WHEELSTOP - SECTION  
SCALE: 1 1/2" = 1'-0"



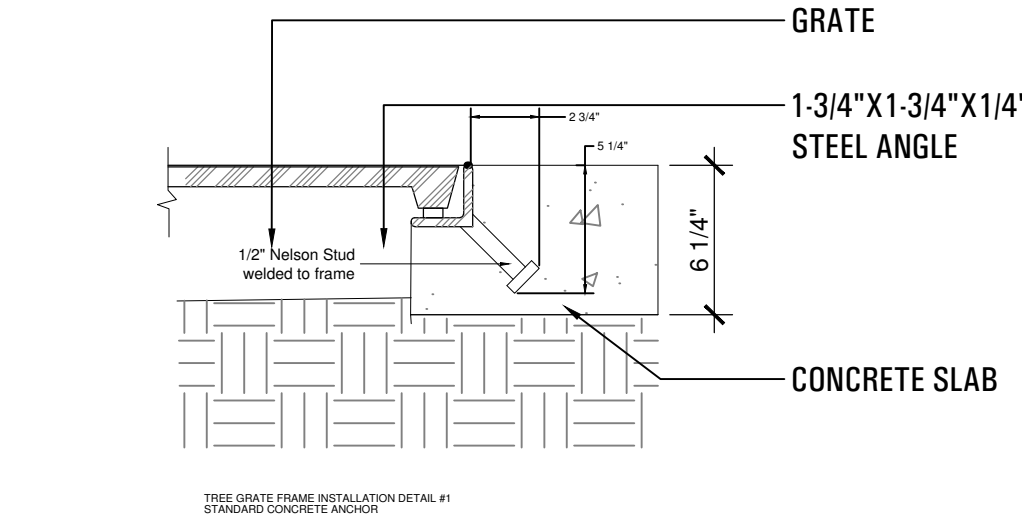
**13** CONCRETE WHEELSTOP  
SCALE: 3/4" = 1'-0"



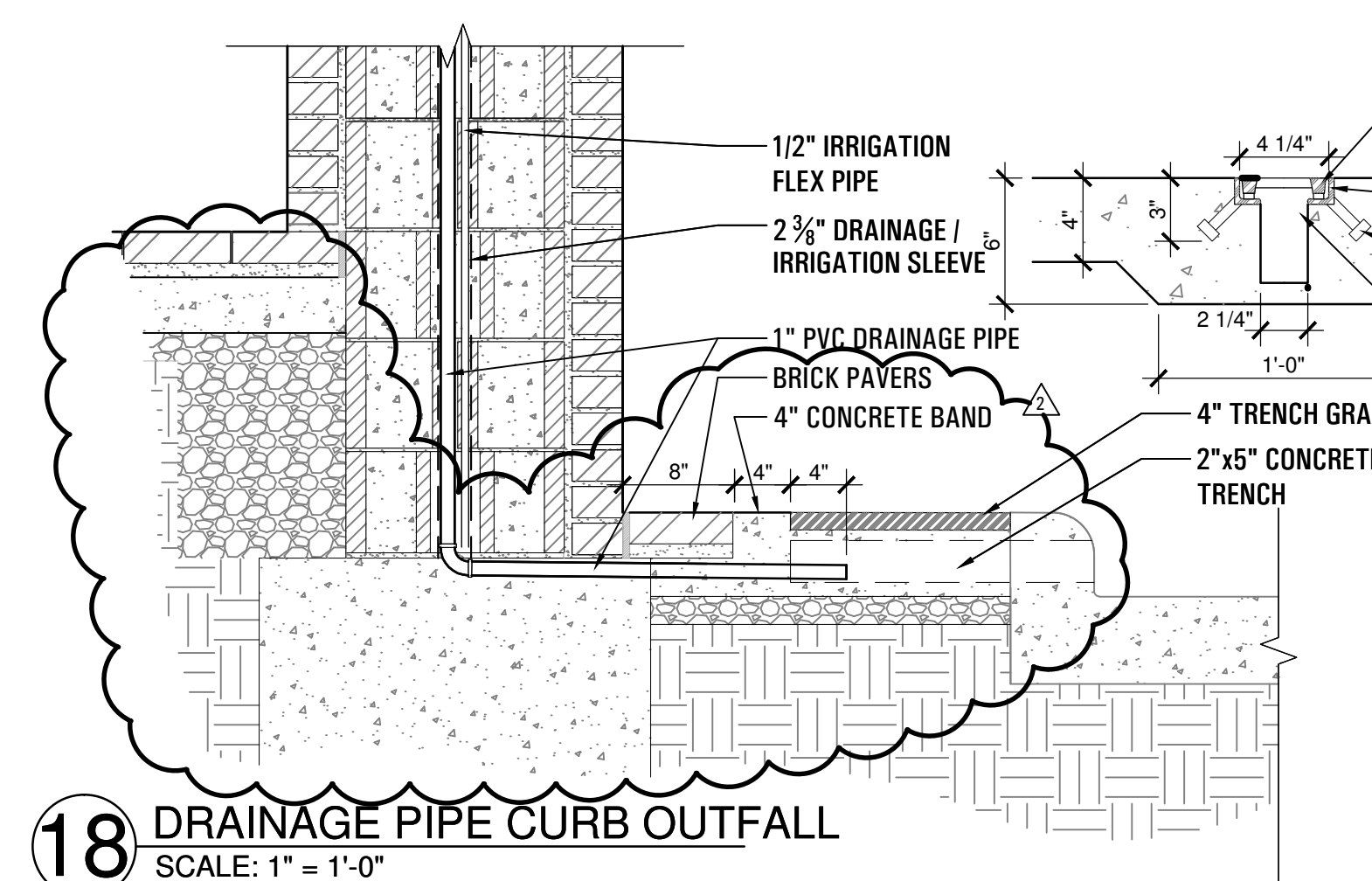
**17** DRAINAGE CONNECTION FROM PLANTER  
SCALE: 1" = 1'-0"



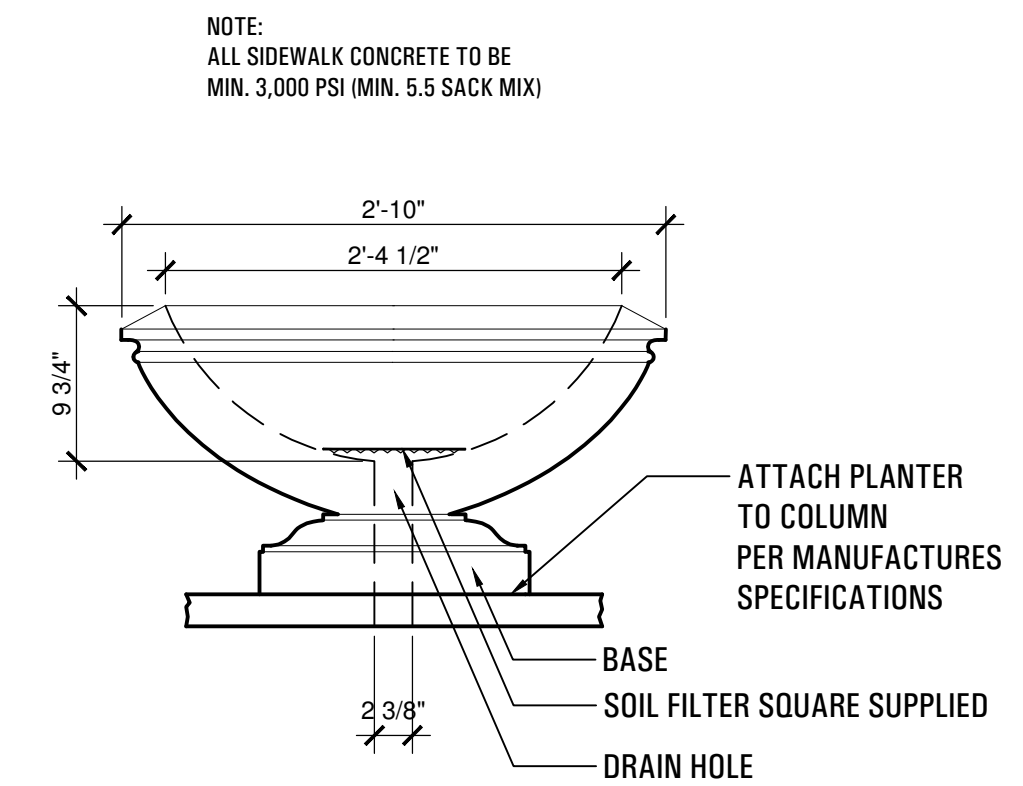
**14** CONCRETE SIDEWALK @ EXISTING CURB  
SCALE: 1" = 1'-0"



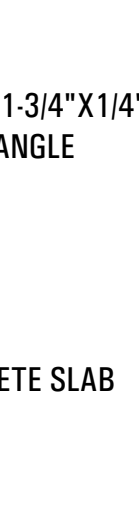
**15** TREE GRATE @ CONCRETE SLAB  
N.T.S.



**18** DRAINAGE PIPE CURB OUTFALL  
SCALE: 1" = 1'-0"



**16** HIGHWOOD 34" PLANTER  
SCALE: 1" = 1'-0"



**19** CONCRETE BAND  
SCALE: 1" = 1'-0"

NOTE:  
ALL SIDEWALK CONCRETE TO BE  
MIN. 3,000 PSI (MIN. 5.5 SACK MIX)



submittals / revisions

no.	date	detail
▲	04/08/14	RFI #78
▲	04/28/14	RFI #59

la terra studio, inc.

12024  
its project number  
02.26.2014  
date  
rac; bhm  
drawn by  
mtb  
checked by



Site Details  
sheet number

**SD-2**