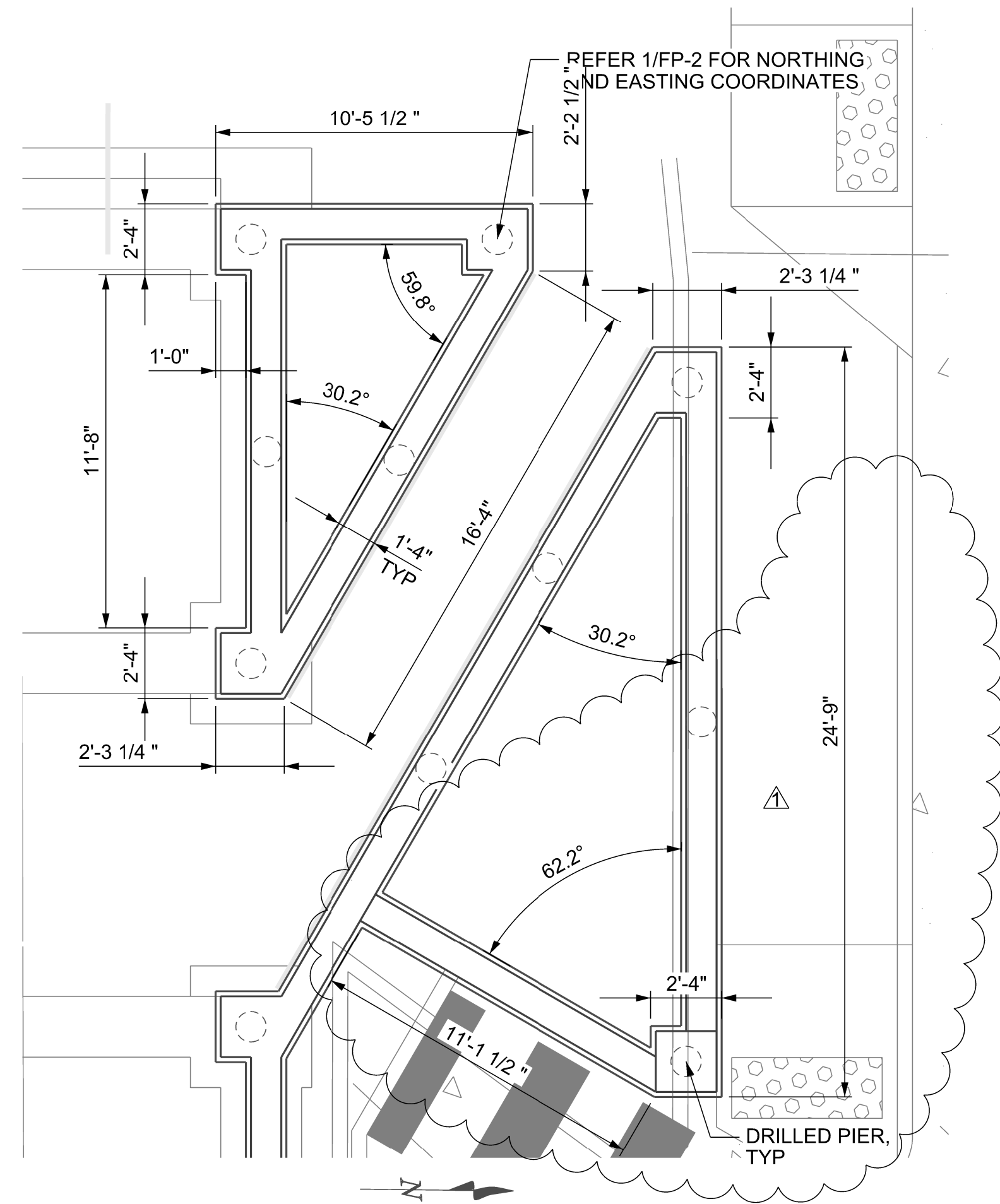


no.	date	detail
1	4-15-14	RFI #39

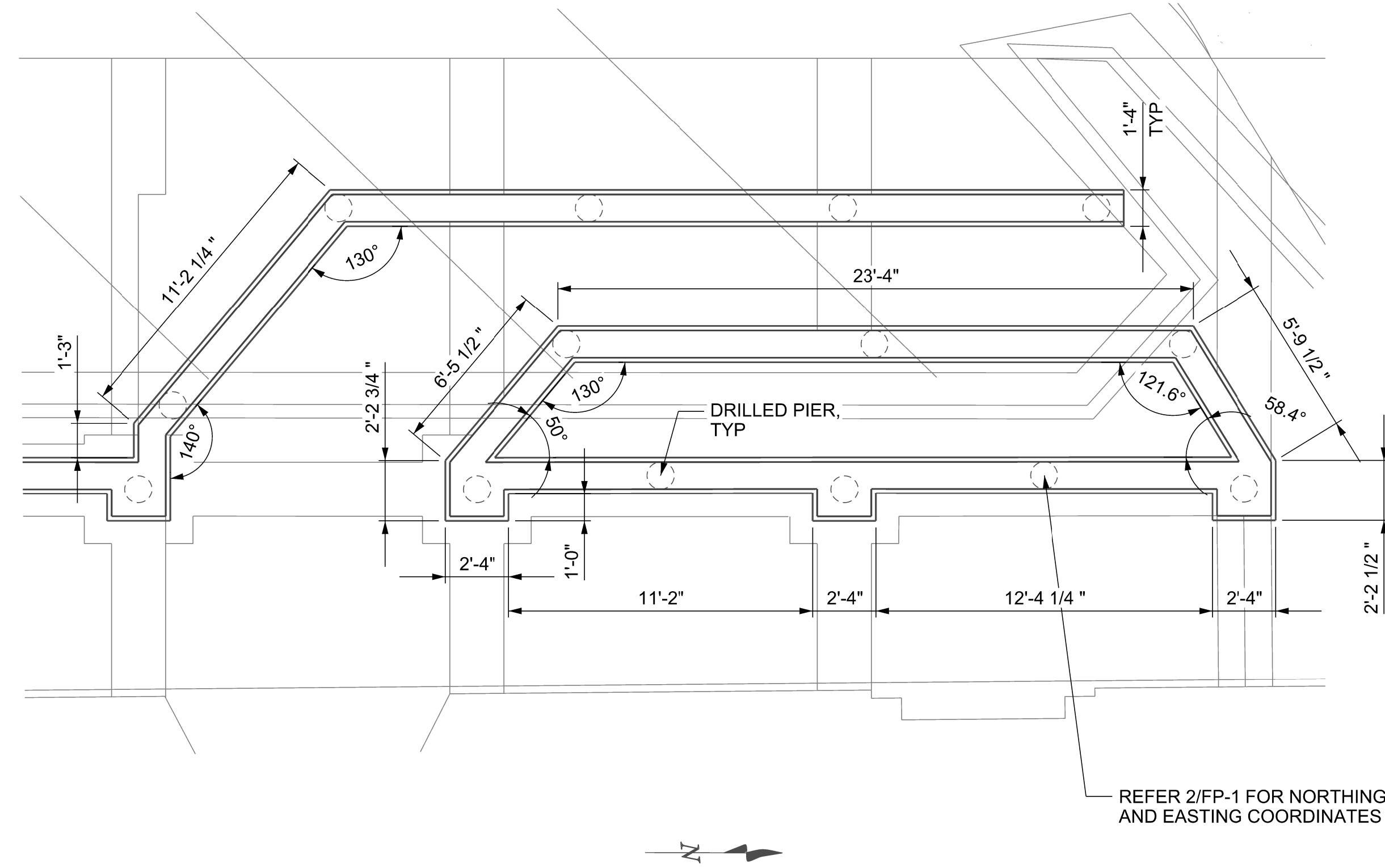
12024
Its project number
4.15.2014
date
bgp
drawn by
bgp
checked by



ENLARGED STRUCTURAL PLAN

1
FP-4
SCALE: 1/4" = 1'-0"

REFER 1/FP-2 FOR NORTHING AND EASTING COORDINATES

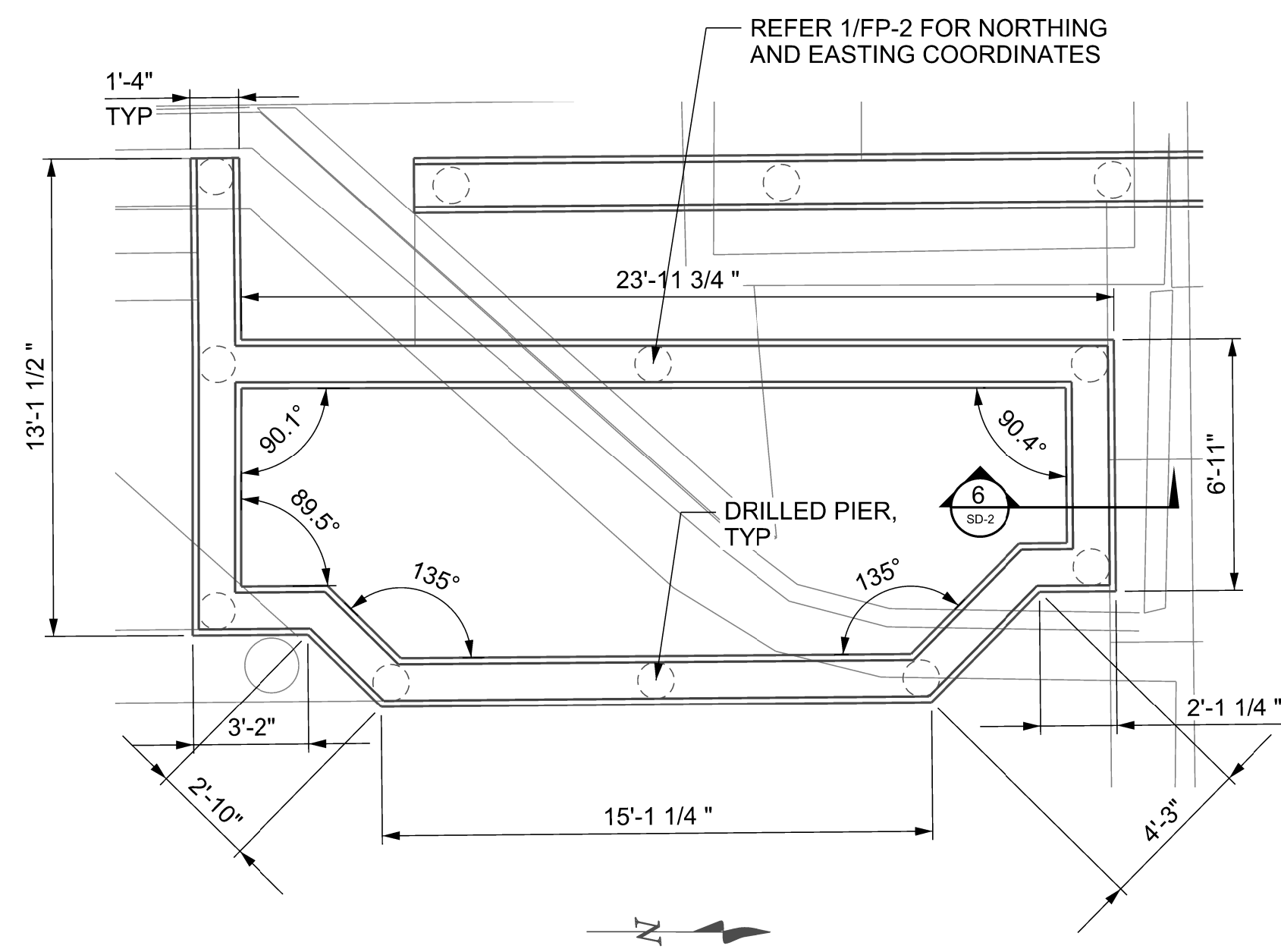


ENLARGED STRUCTURAL PLAN

2
FP-4
SCALE: 1/4" = 1'-0"

REFER 2/FP-1 FOR NORTHING AND EASTING COORDINATES

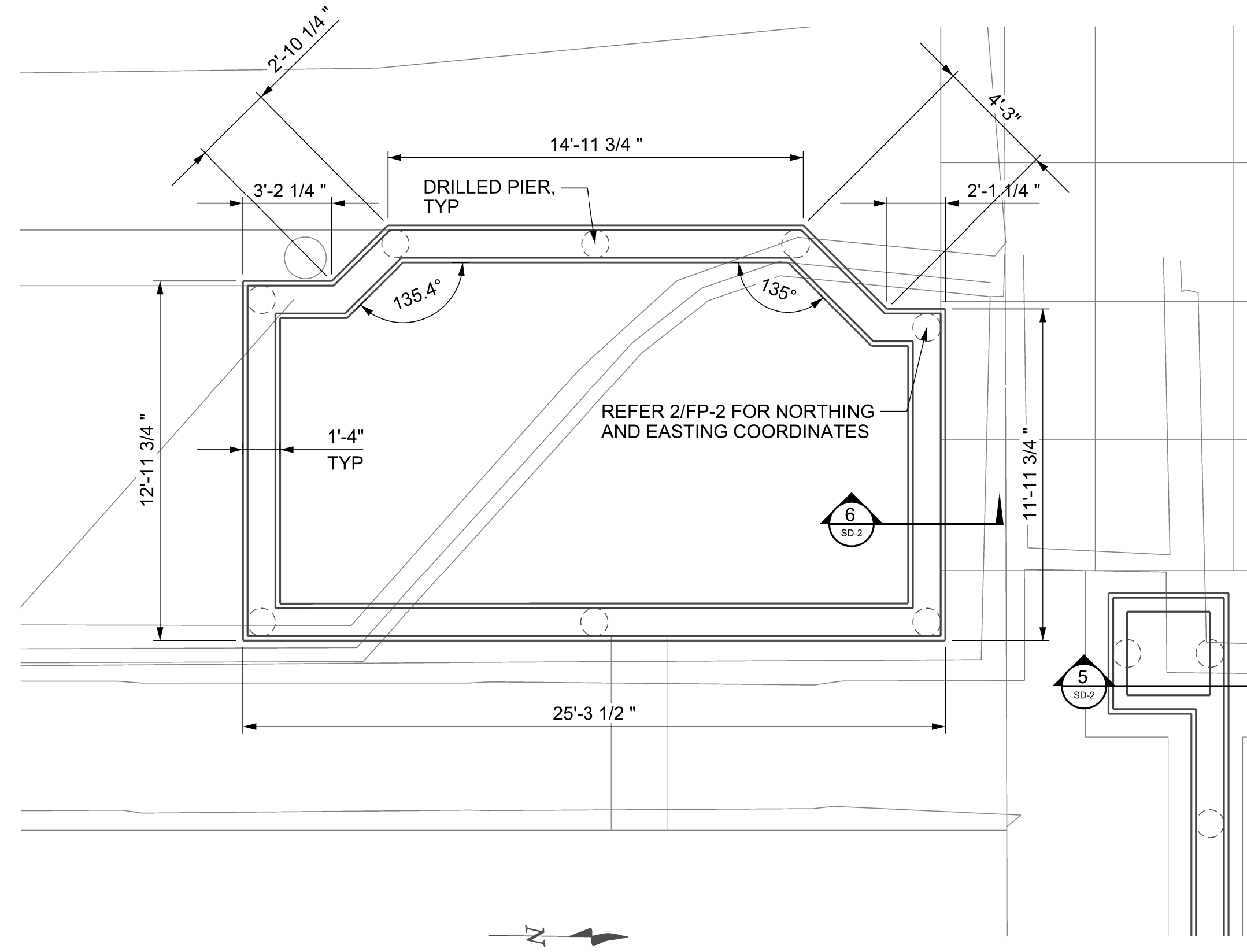
ALL INTERIOR ANGLES ARE 90°, UNO



BRICK VENEER PLANTER NORTHWEST

3
FP-4
SCALE: 1/4" = 1'-0"

REFER 1/FP-2 FOR NORTHING AND EASTING COORDINATES



BRICK VENEER PLANTER NORTHEAST

4
FP-4
SCALE: 1/4" = 1'-0"

REFER 2/FP-2 FOR NORTHING AND EASTING COORDINATES

△ MODIFIED WALL AND PIER LOCATIONS.
4-15-14

FOR PROCUREMENT PURPOSES ONLY
PIERCE ENGINEERING
STRUCTURAL ENGINEERING

BUS.: (940) 937-8600 132 N. MAIN STREET
FIRM REG #: F-9186 CHILDRESS, TX 79201