

Downtown Rockwall
la terra studio Project #12024
streetscape improvements
 PHASE 2
 rockwall, texas



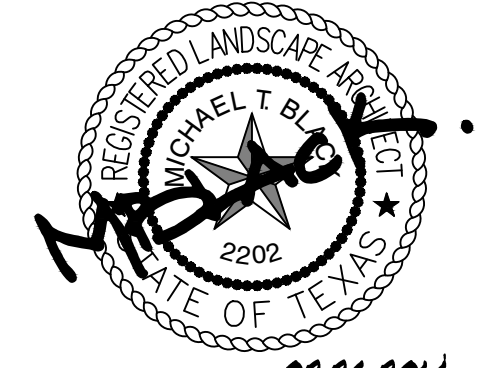
submittals / revisions

no.	date	detail
1	06/17/14	RFI #93
2	09/10/15	RFI #38

la terra studio, inc.

12024
 its project number
 02.26.2014
 date
 rac; bhm
 drawn by
 mtb
 checked by

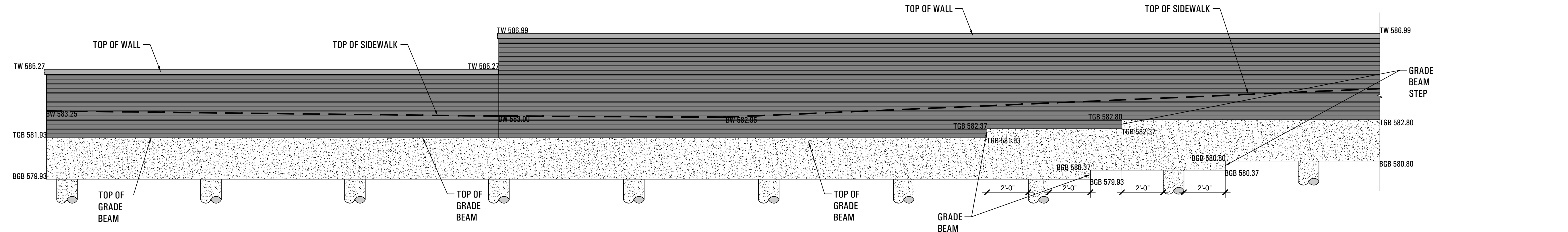
registration



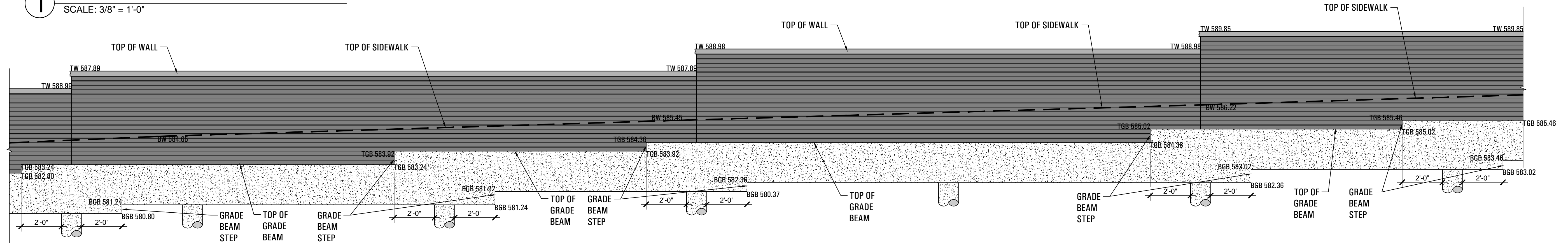
02.26.2014
 sheet title

Site Details
 sheet number

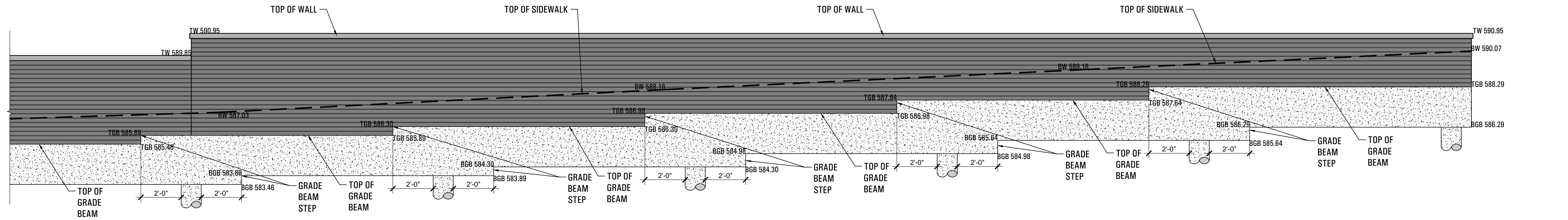
SD-9



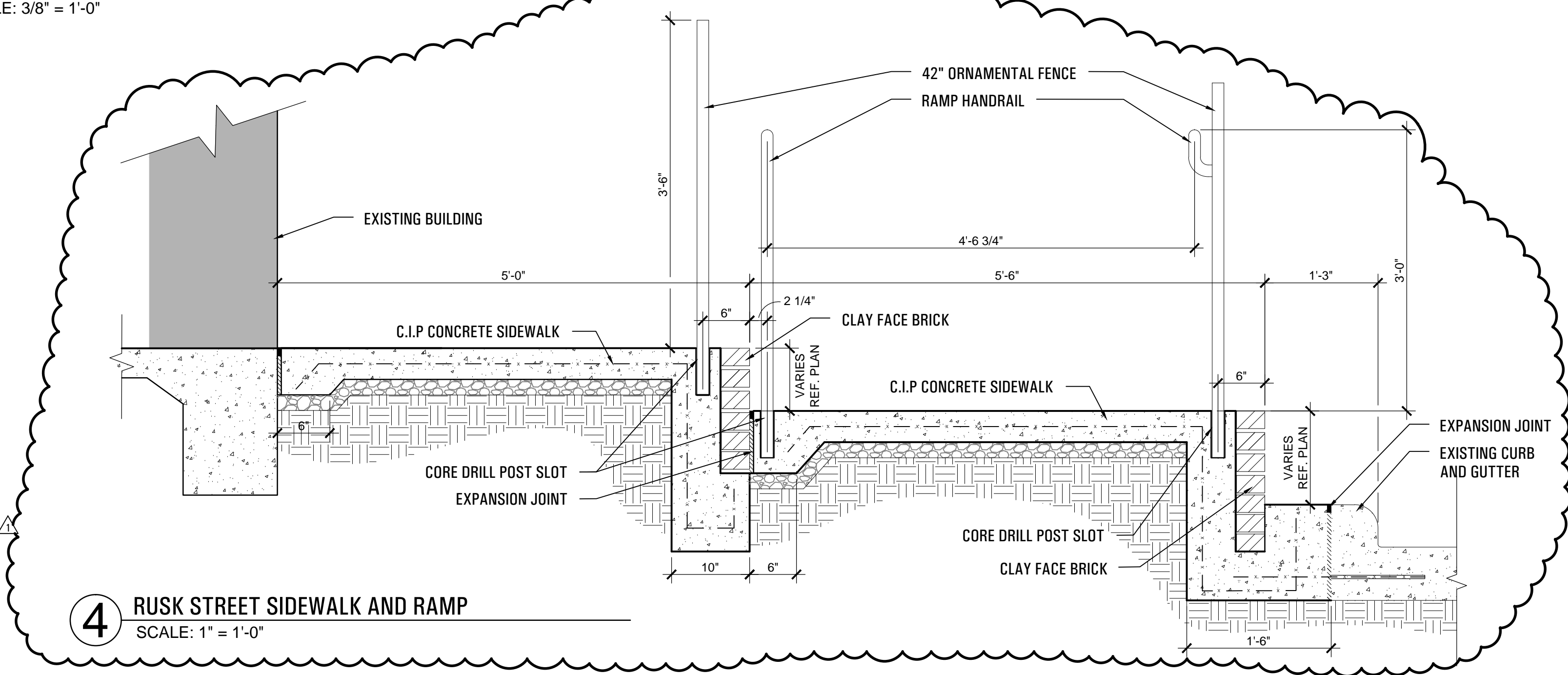
1 SOUTH WALL ELEVATION - CITYPLACE
 SCALE: 3/8" = 1'-0"



2 WALL ELEVATION - CITYPLACE
 SCALE: 3/8" = 1'-0"



3 NORTH WALL ELEVATION - CITYPLACE
 SCALE: 3/8" = 1'-0"



4 RUSK STREET SIDEWALK AND RAMP
 SCALE: 1" = 1'-0"