


la terra studio™



Downtown Rockwall
Project # 12024 ~ renovation ~
streetscape improvements
rockwall, texas



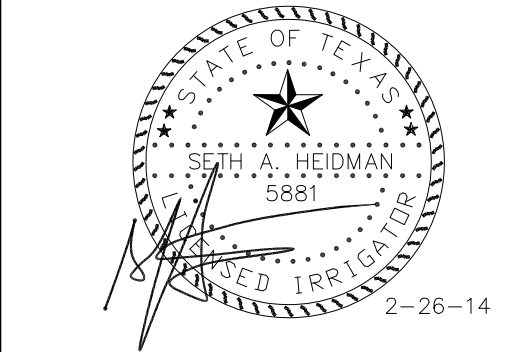
submittals / revisions

| no. | date | detail |
|-----|------|--------|
| | | |
| | | |
| | | |
| | | |
| | | |
| | | |
| | | |
| | | |
| | | |
| | | |
| | | |

la terra studio, inc.

12024
Its project number
02.26.2014
date
SAH
drawn by
SAH
checked by

registration



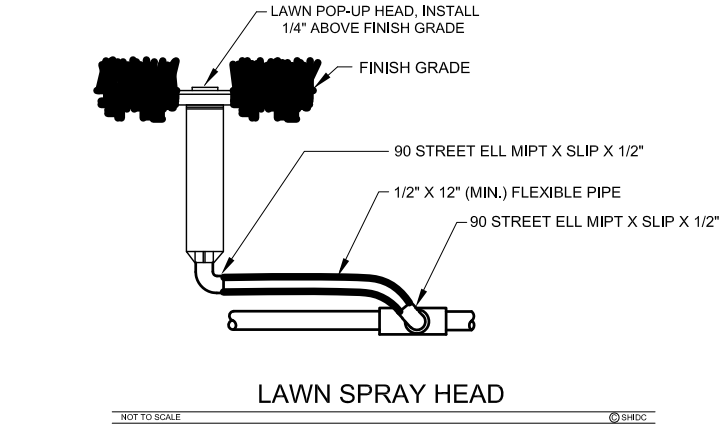
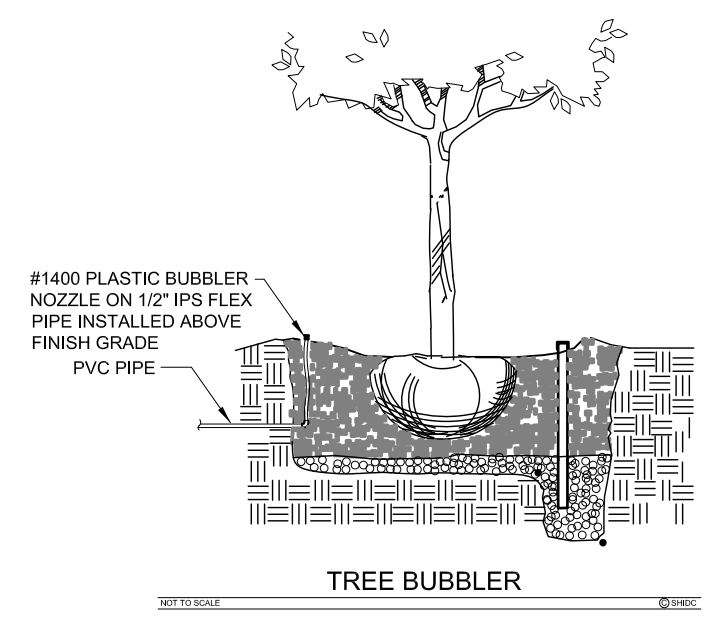
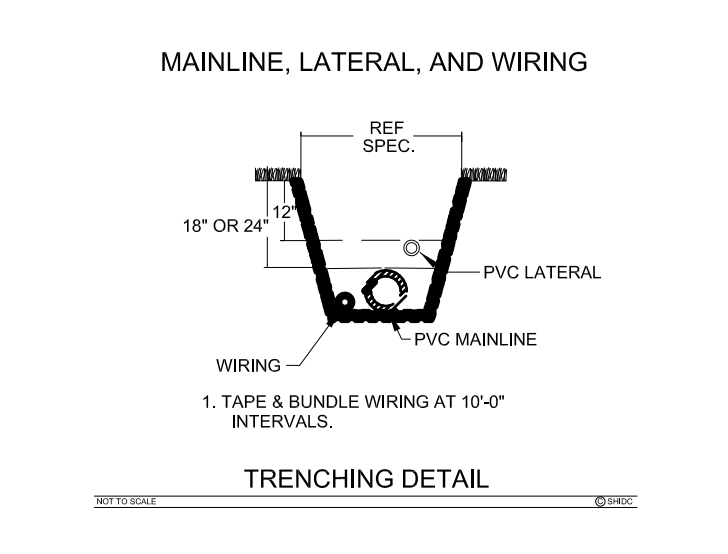
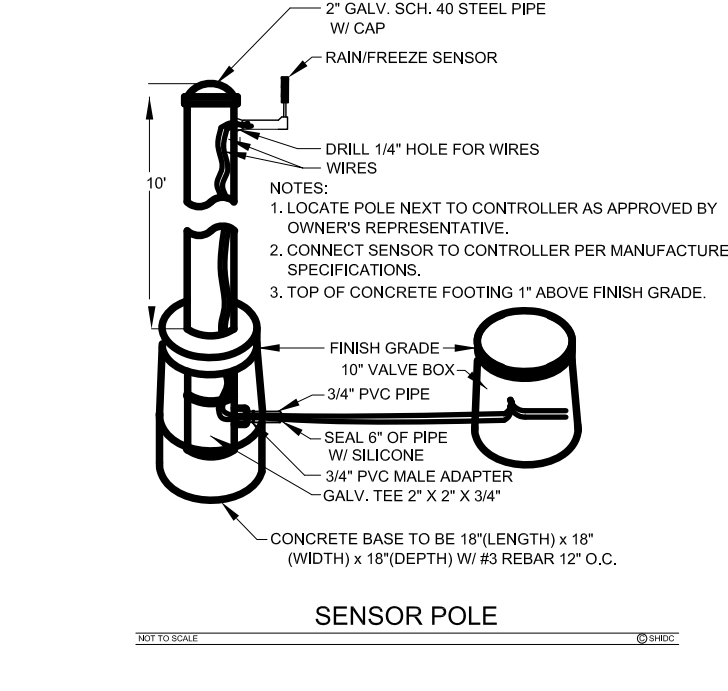
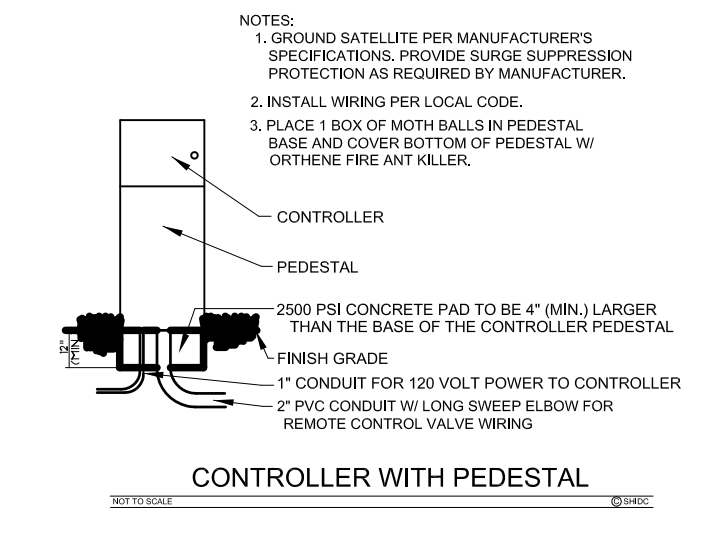
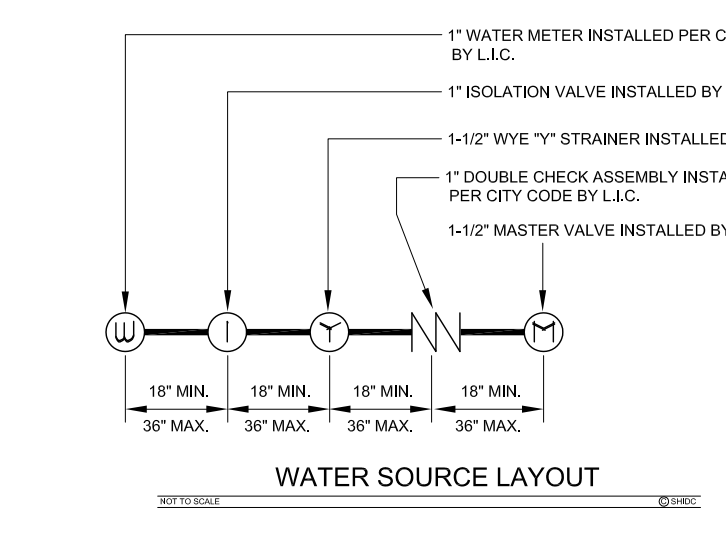
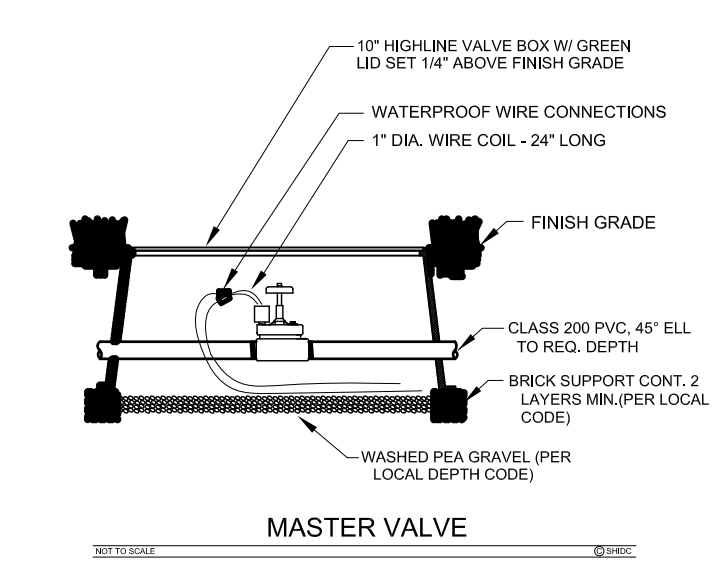
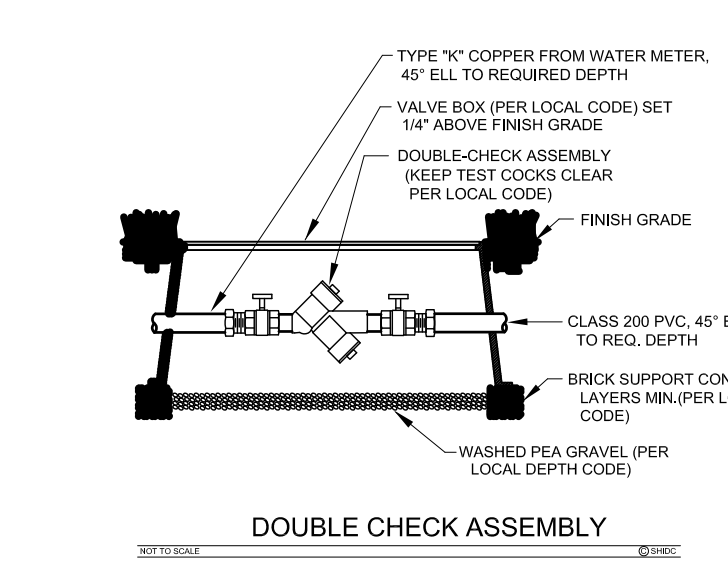
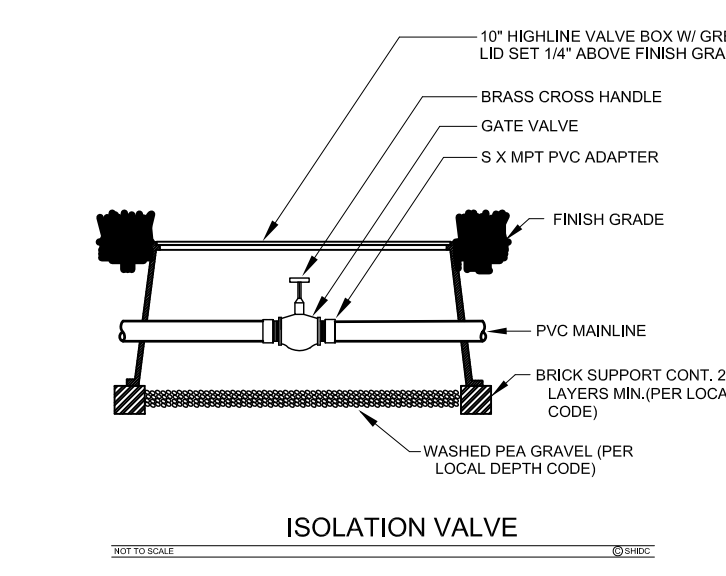
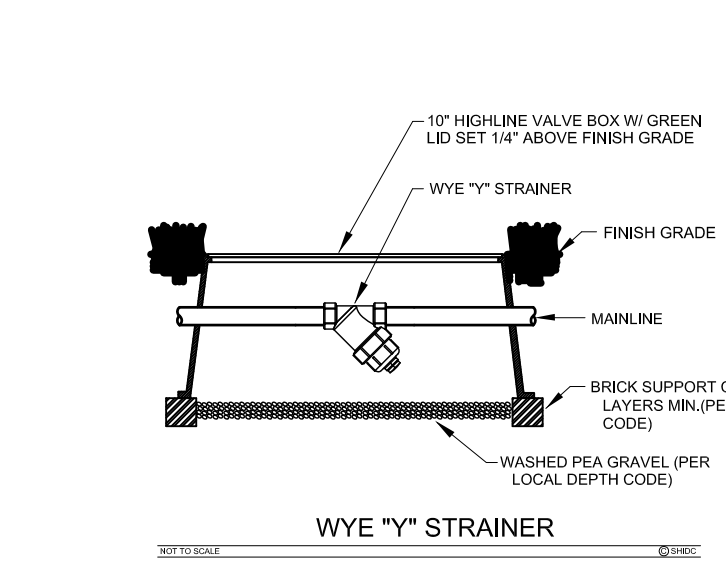
sheet title

Irrigation Details
sheet number

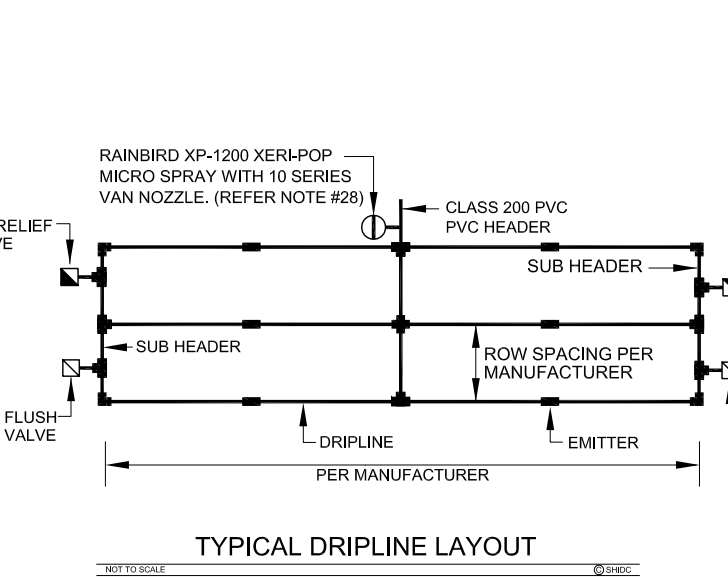
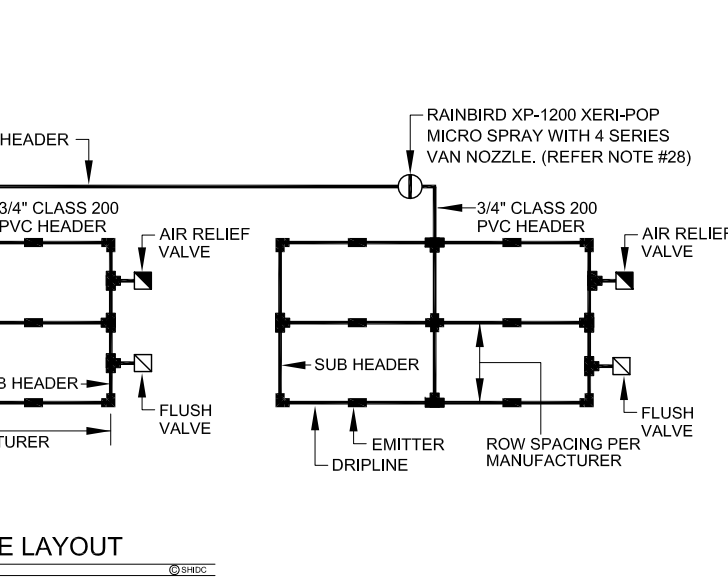
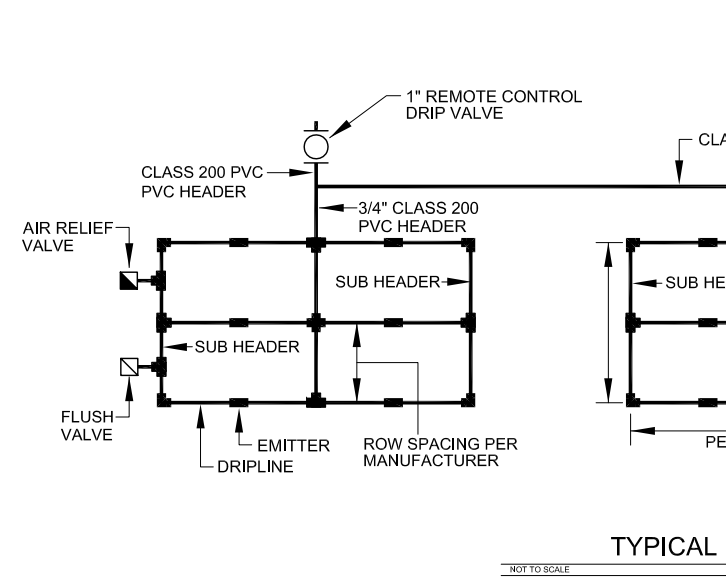
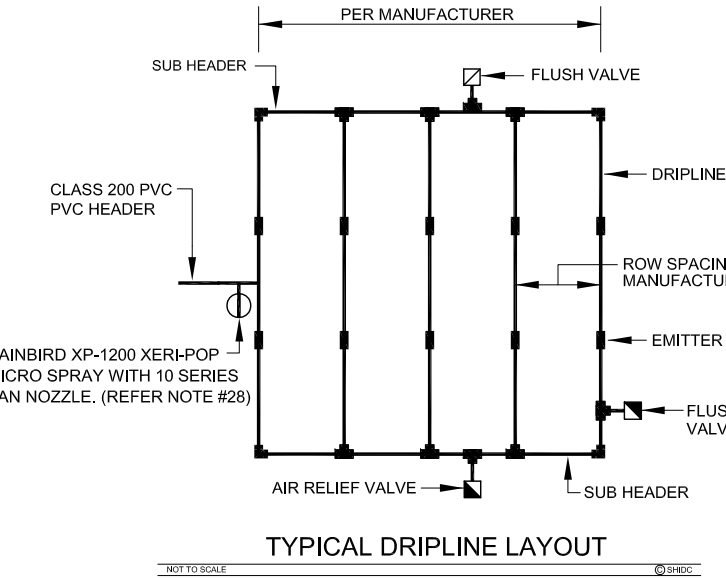
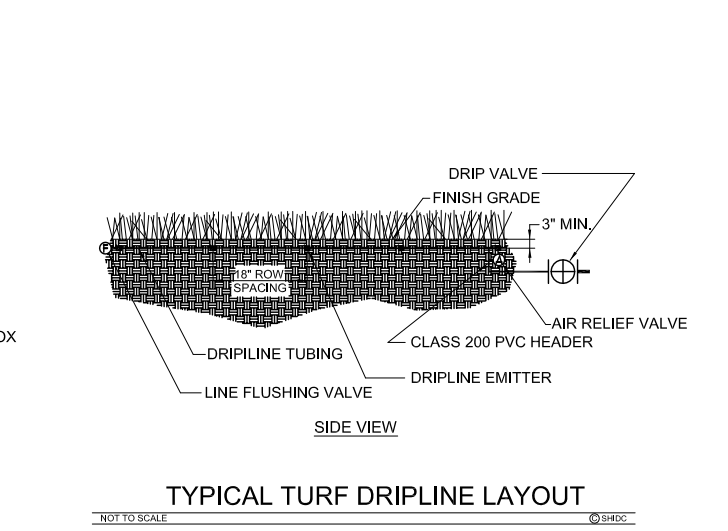
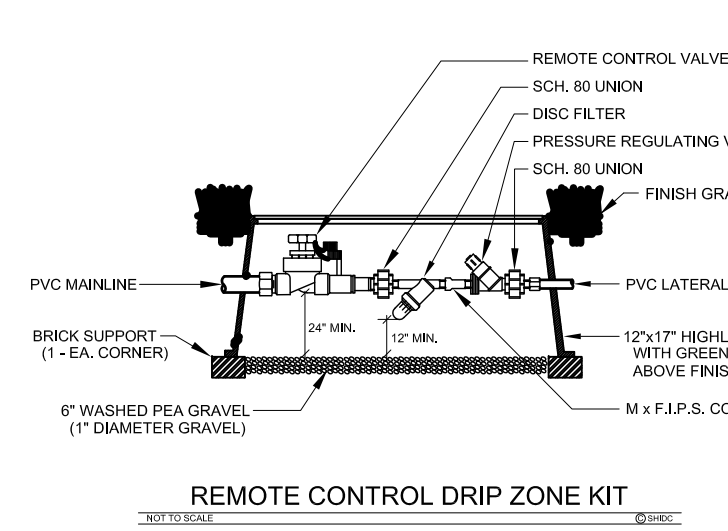
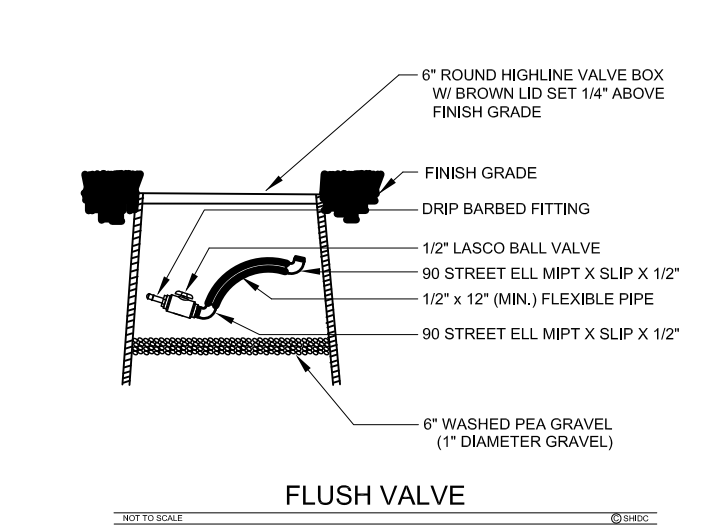
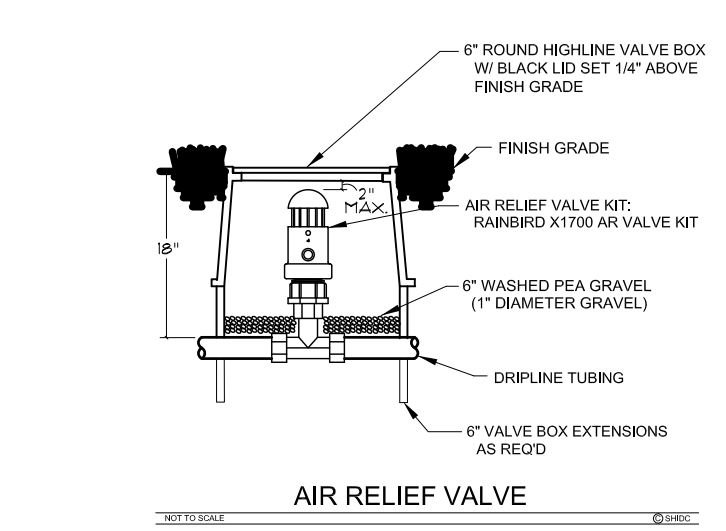
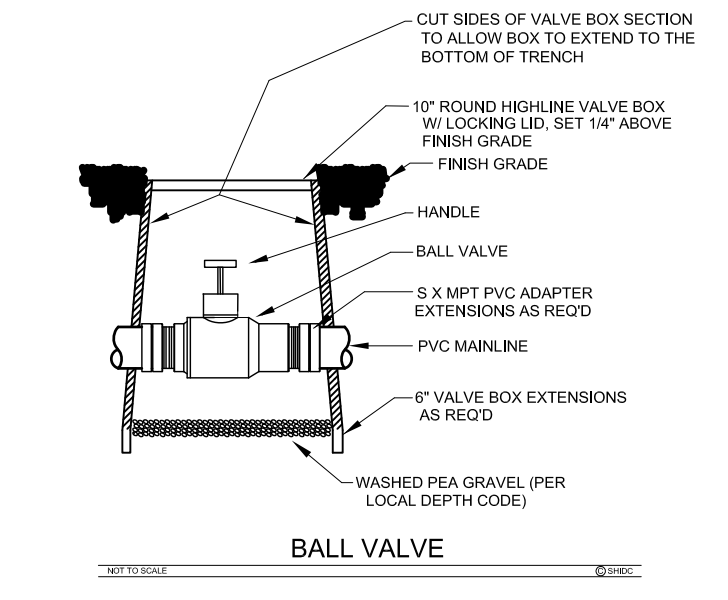
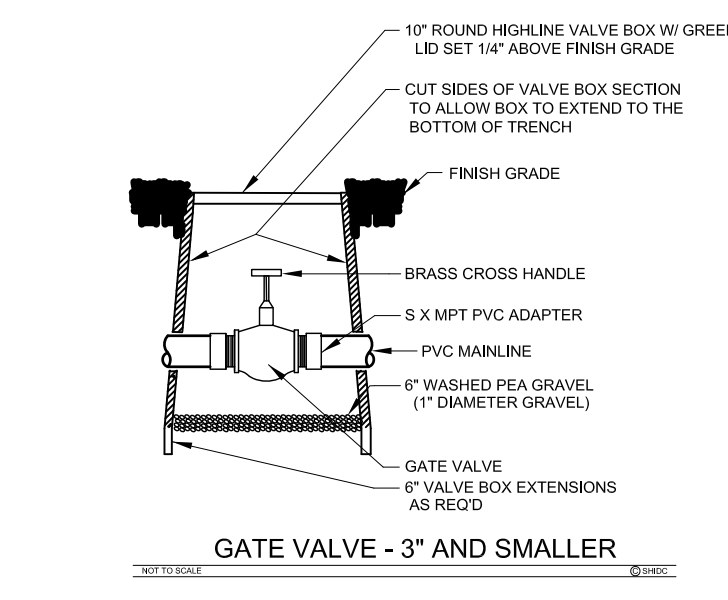
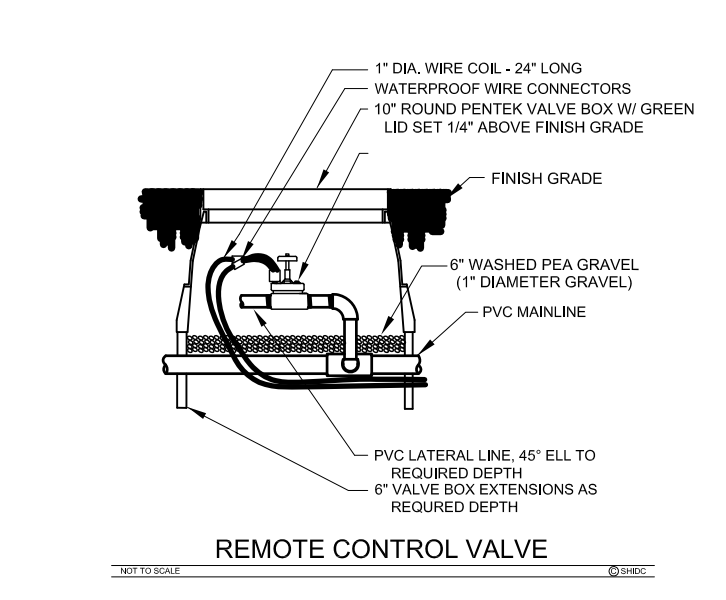
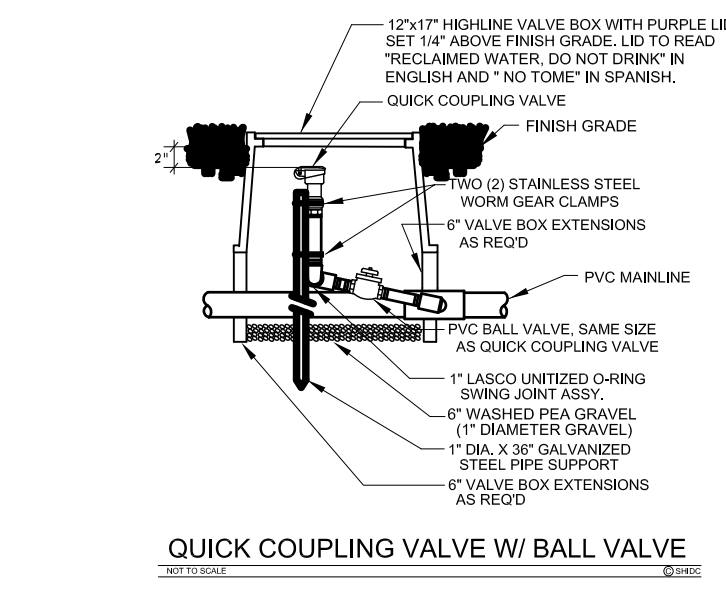
IP-9

NOTES:

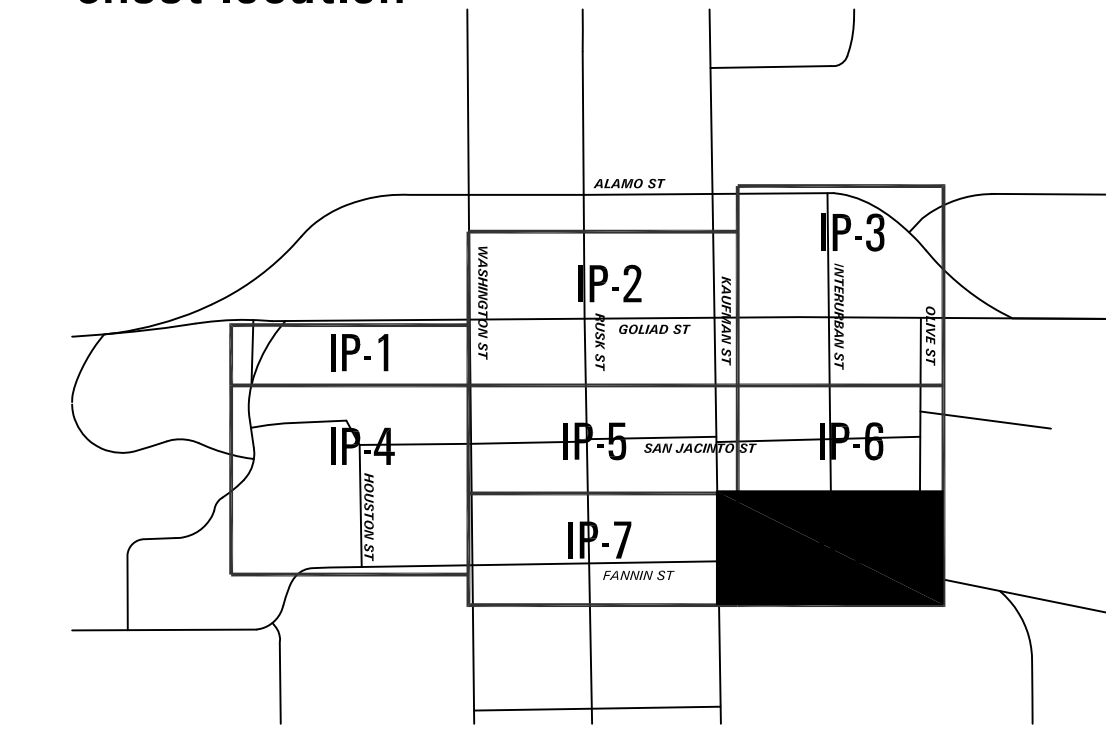
- 1. ALL 24 VOLT LEAD AND COMMON VALVE WIRING SHALL BE A MINIMUM OF UF-14 GA. SINGLE CONDUCTOR. REFER TO MANUFACTURER'S RECOMMENDATIONS FOR PROPER WIRE SIZE. WIRE SPLICES SHALL BE KING ONE-STEP #7 (TAN) OR 3M-DBY PERMANENT AND WATERPROOF PER THE SPECIFICATIONS.
- 2. COORDINATE INSTALLATION OF IRRIGATION SYSTEM WITH LANDSCAPE CONTRACTOR TO ENSURE ALL PLANT MATERIAL WILL BE WATERED IN ACCORDANCE WITH THE INTENT OF THE PLANS AND SPECIFICATIONS.
- 3. LATERAL PIPING SHALL HAVE A MINIMUM OF 12" OF COVER. MAINLINE AND PIPING UNDER PAVING SHALL HAVE A MINIMUM OF 18" OF COVER. ALL FITTINGS TO BE SCHEDULE 40 PVC. USE WELD-ON #705 SOLVENT AND #P-68 PRIMER FOR PVC CONNECTIONS PER THE SPECIFICATIONS.
- 4. PIPING AND VALVES IN PAVING SHOWN FOR CLARITY, INSTALL IN ADJACENT PLANTING BED OR LAWN AREA.
- 5. CONNECT LAWN AND HIGH-POP SPRAY HEADS TO LATERAL PIPING WITH 1/2" FLEXIBLE PVC AND 1/2" SCHEDULE 40 PVC FITTINGS AS REQUIRED, PER DETAIL SHOWN. USE WELD-ON #795 SOLVENT AND #P-68 PRIMER ON THESE CONNECTIONS PER THE SPECIFICATIONS.
- 6. ALL MAINLINE TO BE 1-1/2" CLASS 200 PVC. SIZE ALL LATERAL PIPING PER MANUFACTURER'S RECOMMENDATIONS OF NOT EXCEEDING 5'-0".
- 7. INSTALL QUICK COUPLING VALVES IN TWELVE BY SEVENTEEN (12"x17") INCH HIGHLINE VALVE BOX PER DETAIL SHOWN. CONNECT QUICK COUPLING VALVES TO MAINLINE PIPE WITH LASCO "UNITIZED", O-RING SWING JOINTS PER DETAIL SHOWN, #T722-212. SUPPLY OWNER WITH THREE (3) COUPLER KEYS WITH SWIVEL HOSE BIBB EACH, #33DK-10 AND #SH-0 RESPECTIVELY. VALVES TO BE INSTALLED SO THAT TOP OF QUICK COUPLER IS 2" BELOW BOTTOM OF VALVE BOX TOP. PURPLE LID READS "NON-POTABLE, NOT SAFE FOR DRINKING" IN ENGLISH AND SPANISH.
- 8. INSTALL REMOTE CONTROL VALVES IN TEN (10") INCH ROUND HIGHLINE VALVE BOXES PER DETAIL SHOWN.
- 9. INSTALL REMOTE CONTROL DRIP VALVES IN TWELVE BY SEVENTEEN (12"x17") INCH HIGHLINE VALVE BOXES PER DETAIL SHOWN.
- 10. INSTALL ALL WIRE SPLICES IN TEN (10") INCH ROUND HIGHLINE VALVE BOXES.
- 11. PERFORM ELECTRICAL WORK IN ACCORDANCE WITH LOCAL BUILDING CODE. POWER (120V) SHALL BE LOCATED IN A JUNCTION BOX AND HARDWIRED WITHIN FIVE (5') FEET OF CONTROLLER LOCATION BY OTHER TRADES.
- 12. SLEEVES SHALL BE CLASS 200 PVC, SIZED AS NOTED ON PLANS AND INSTALLED BY LANDSCAPE IRRIGATION CONTRACTOR.
- 13. ROUTE AND ADJUST WIRE FROM CONTROLLER TO REMOTE SENSORS IN SERIES PRIOR TO CONNECTING TO REMOTE CONTROL VALVES.
- 14. INSTALL AND ADJUST VAN SERIES NOZZLES FOR SITUATIONS THAT REQUIRE LESS THAN 90° DEGREE RADIUS SPRAY.
- 15. DESIGN PRESSURE IS 50.0 PSI. TEN DAYS PRIOR TO START OF CONSTRUCTION, VERIFY STATIC PRESSURE. IF STATIC PRESSURE IS LESS THAN 55.0 PSI. DO NOT START WORK UNTIL NOTIFIED TO PROCEED BY OWNER.
- 16. MINIMUM DISTANCE BETWEEN MAIN LINE AND LATERAL LINE FITTINGS (EXCEPT FOR REDUCER BUSHINGS) TO BE 18".
- 17. MINIMUM HORIZONTAL DISTANCE OF 24" TO BE MAINTAINED BETWEEN ANY VALVES THAT ARE INSTALLED SIDE BY SIDE.
- 18. WHERE SERVICE TEES ARE INSTALLED IN THE MAINLINE FOR INSTALLATION OF THE ELECTRICAL VALVES AND/OR QUICK COUPLING VALVES CONTRACTOR TO LIMIT THE NUMBER OF THESE PER SERVICE TEE. DO NOT INSTALL MORE THAN A TOTAL OF EITHER THREE ELECTRIC VALVES OR A COMBINATION OF TWO ELECTRIC VALVES AND ONE QUICK COUPLER VALVE AT EACH TEE. THE MINIMUM DISTANCE BETWEEN FITTINGS TO BE 18" INCHES AS REFERENCED IN NOTE #16 AND 17.
- 19. STAKE TREE BUBBLER HEAD LOCATIONS AND RECEIVE APPROVAL FROM OWNER'S REPRESENTATIVE PRIOR TO INSTALLATION.
- 20. STAKE DRIPLINE AND RECEIVE APPROVAL FROM OWNER'S REPRESENTATIVE BEFORE INSTALLATION.
- 21. PROVIDE AND INSTALL DISTRIBUTION TUBING, STAKES, EMITTERS, TRANSFER FITTINGS, DIFFUSER BUG CAP, CONTROL ZONE KITS, ETC. NECESSARY FOR PROPER INSTALLATION OF THE BEDS. ALL PVC HEADER PIPING TO BE CLASS 200 PVC SOLVENT WELD PIPE.
- 22. INSERT ALL RAINBIRD XF DRIPLINE INSERT FITTINGS PER MANUFACTURER'S RECOMMENDATIONS.
- 23. ALL PLANTING BED DRIPLINE AND DISTRIBUTION TUBING TO BE INSTALLED AT FINISH GRADE AND BELOW MULCH LAYER. ALL DRIPLINE TO BE INSTALLED ON 1'-6" MAX. ROW SPACING UNLESS INSTRUCTED OTHERWISE. L.I.C. IS RESPONSIBLE TO VERIFY THE EXACT EMITTER FLOW, EMITTER SPACING, AND ROW SPACING WITH MANUFACTURER PRIOR TO INSTALLING TO PROVIDE PROPER PRECIPITATION RATE BASED ON PLANT MATERIAL AND SOIL TYPE. TUBING TO BE STAKED WITH RAINBIRD TDS-050 12GA. WITH BEND GALVANIZED TIE DOWN STAKES. INSTALL STAKES AT 3'-0" ON CENTER ALONG LENGTH OF TUBING AND A MINIMUM OF 24" FROM ANY FITTINGS.
- 24. ALL TURF SOD DRIPLINE AND DISTRIBUTION TUBING TO BE INSTALLED BELOW FINISH GRADE APPROXIMATELY 3" TO 4" PER MANUFACTURER'S RECOMMENDATIONS. ALL TURF DRIPLINE TO BE INSTALLED ON 1'-6" MAX. ROW SPACING UNLESS INSTRUCTED OTHERWISE. L.I.C. IS RESPONSIBLE TO VERIFY THE EXACT EMITTER FLOW, EMITTER SPACING, AND ROW SPACING WITH MANUFACTURER PRIOR TO INSTALLING TO PROVIDE PROPER PRECIPITATION RATE BASED ON TURF AND SOIL TYPE. TUBING TO BE STAKED WITH RAINBIRD TDS-050 12GA. WITH BEND GALVANIZED TIE DOWN STAKES. INSTALL STAKES AT 3'-0" ON CENTER ALONG LENGTH OF TUBING AND A MINIMUM OF 24" FROM ANY FITTINGS.
- 25. AIR RELIEF VALVE TO BE RAINBIRD AR VALVE KIT INSTALLED IN A SIX-INCH (6") HIGHLINE ROUND VALVE BOX WITH BLACK LID AND 6" OF GRAVEL SUMP.
- 26. FLUSH VALVES TO BE 1/2" LASCO BALL VALVE ON IPS FLEXIBLE PIPE AND 1/2" SCHEDULE 40 FITTINGS INSTALLED IN A SIX-INCH (6") HIGHLINE ROUND VALVE BOX WITH BLACK LID AND 6" OF GRAVEL SUMP.
- 27. INCLUDE THE FOLLOWING ALLOWANCES FOR PROVIDING AND INSTALLING AIR RELIEF VALVES AND FLUSH VALVES FOR THE DRIP SYSTEM. EXACT QUANTITY AND LOCATION OF THESE DEVICES WILL BE DETERMINED AT THE TIME OF INSTALLATION. IN GENERAL, ALL AIR RELIEF VALVES WILL BE INSTALLED AT THE HIGH POINTS AND FLUSH VALVES WILL BE INSTALLED AT THE LOW POINTS. ALLOW FOR APPROXIMATELY TWO (2) AIR RELIEF VALVES AND APPROXIMATELY TWO (2) FLUSH VALVES FOR EACH DRIP ZONE KIT.
- 28. PROVIDE AND INSTALL ONE RAINBIRD XP-1200X XERX-POP MICRO SPRAY WITH 4 SERIES VAN NOZZLE FOR EACH DRIP ZONE TO VERIFY ZONE IS OPERATING. L.I.C. TO TURN VAN NOZZLE TO OFF POSITION.
- 29. PROVIDE ALL LABOR AND MATERIAL NECESSARY TO HAND DIG WITHIN ALL EXISTING TREE ROOT ZONES. CONTRACTOR TO STAKE AND RECEIVE APPROVAL PRIOR TO ANY DIGGING OR TRENCHING.
- 30. PROVIDE ALL LABOR AND MATERIAL NECESSARY TO REPAIR EXISTING SYSTEM IN THIS AREA SO IT IS 100% OPERABLE AND PROVIDES 100% COVERAGE UPON COMPLETION OF THE PROJECT. CONTRACTOR IS RESPONSIBLE TO COORDINATE THIS WORK WITH ALL DISCIPLINES PRIOR TO BEGINNING OF THE PROJECT.
- 31. PROVIDE ALL LABOR AND MATERIAL NECESSARY TO INSTALL THE NEW TORO SENTINEL CONTROLLER PER THE MANUFACTURER'S RECOMMENDATIONS AND THE CITY OF ROCKWALL REQUIREMENTS. CONTRACTOR IS RESPONSIBLE TO COORDINATE THIS WORK WITH ALL DISCIPLINES PRIOR TO BEGINNING OF THE PROJECT.
- 32. ALL STATE OF TEXAS LAWS/RULES AND ALL LOCAL CODES/ORDINANCES ARE MADE PART OF THESE PLANS AND SPECIFICATIONS WHETHER SHOWN OR NOT. THESE LAWS AND ORDINANCES WILL SUPERCEDE THE PLANS, DETAILS, AND/OR SPECIFICATIONS FOR THIS PROJECT. CONTRACTOR IS CAUTIONED THAT HE IS TO INCLUDE ANY AND ALL COST NECESSARY TO MEET OR EXCEED THE LAWS OF THE STATE OF TEXAS OR LOCAL CODES CONCERNING LANDSCAPE IRRIGATION.
- 33. A LICENSED IRRIGATOR OR LICENSED IRRIGATION TECHNICIAN SHALL BE ON-SITE AT ALL TIMES WHILE THE LANDSCAPE IRRIGATION SYSTEM IS BEING INSTALLED PER CITY OF ROCKWALL REQUIREMENTS.



| FLOW/GPM: | PIPE SIZE: |
|-------------|------------|
| 0 - 4.0 | 1/2" |
| 4.1 - 9.5 | 3/4" |
| 9.6 - 14.5 | 1" |
| 14.6 - 27.0 | 1-1/4" |
| 27.1 - 35.0 | 1-1/2" |
| 35.1 - 55.0 | 2" |



sheet location



© 2012 la terra studio, inc. All Rights Reserved FILE:E:\100% CD's Revisions dated 2.26.14_Downtown Rockwall Irrigation Plans.dwg