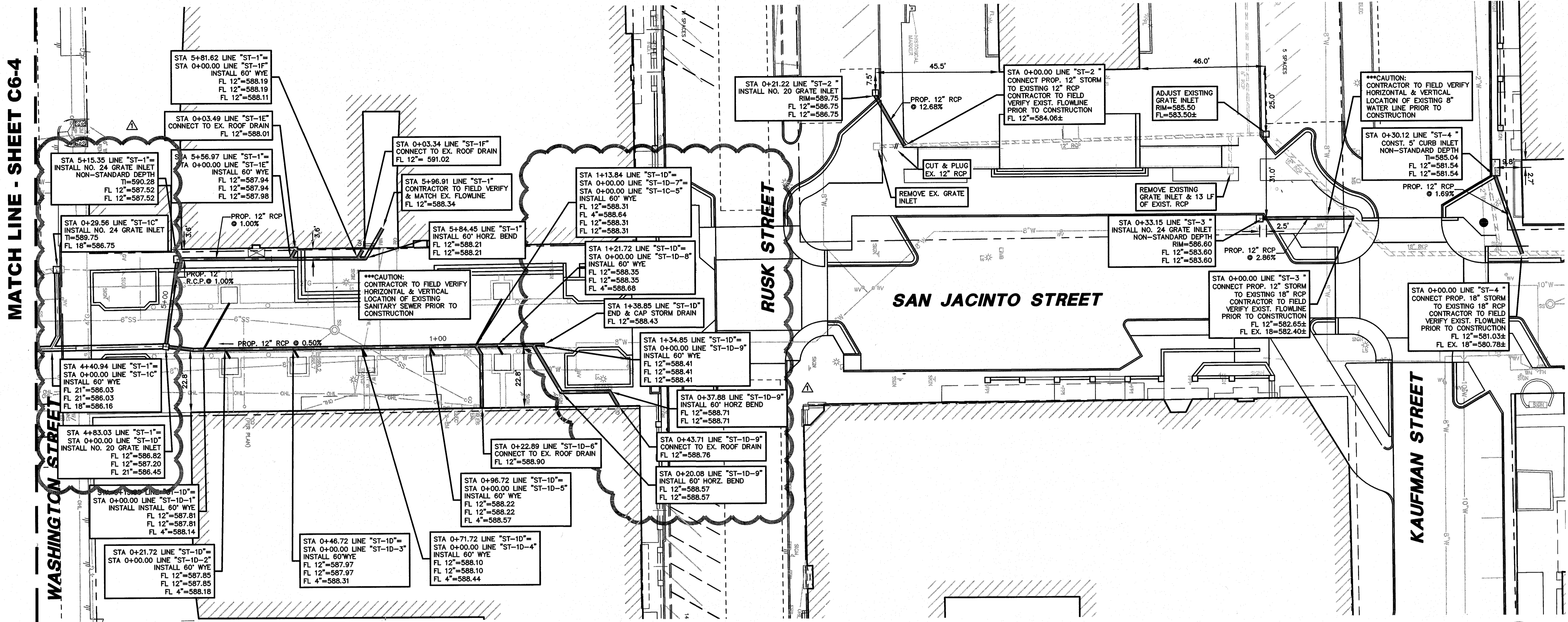


**Downtown Rockwall**  
la terra studio Project #12024  
streetscape improvements  
PHASE 2  
rockwall, texas



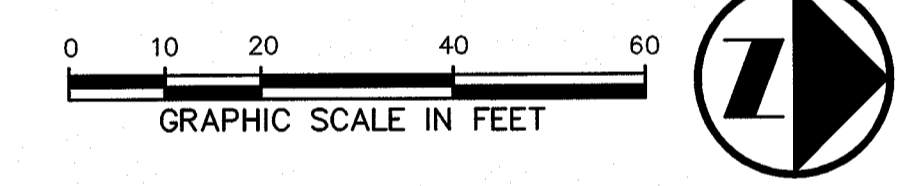
MATCH LINE - SHEET C6-4

WASHINGTON STREET

RUSK STREET

SAN JACINTO STREET

KAUFMAN STREET

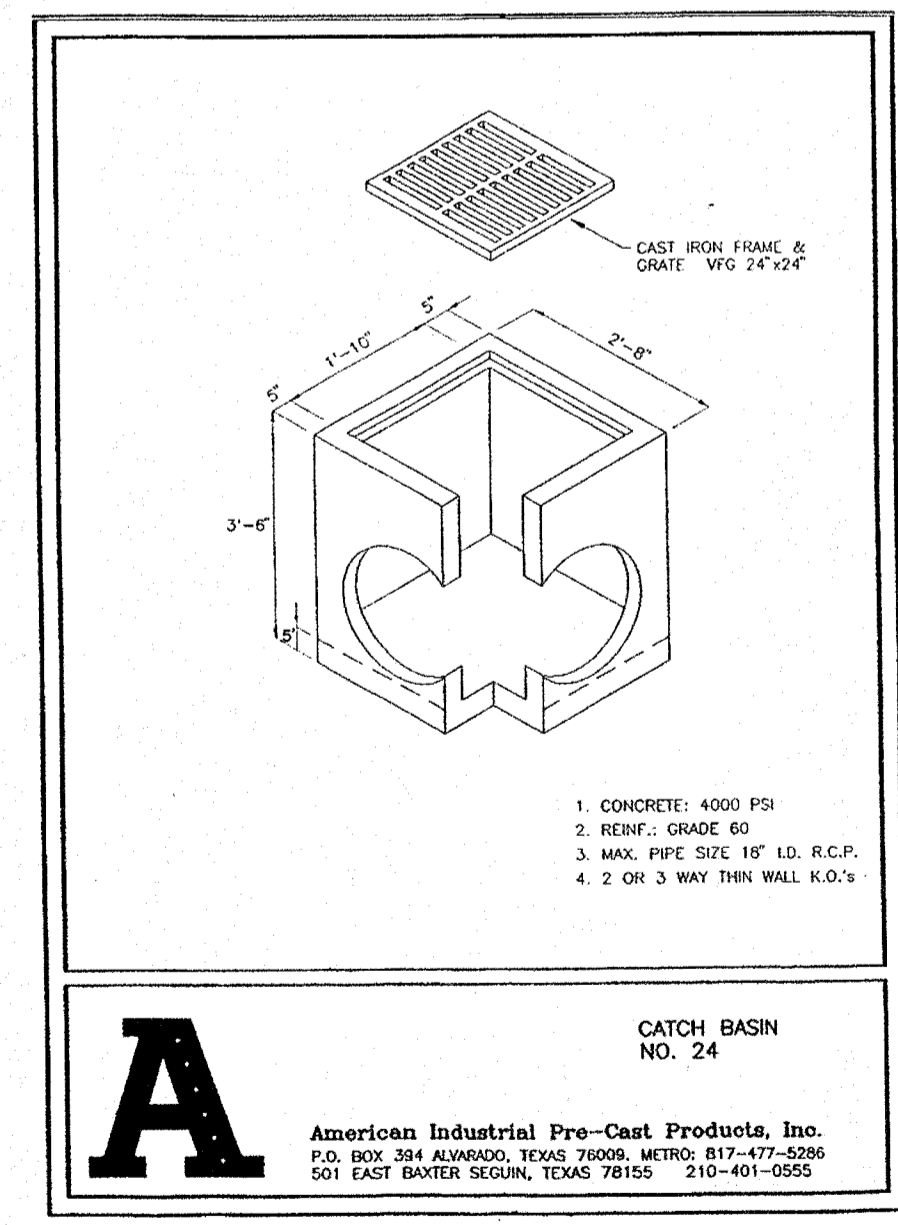
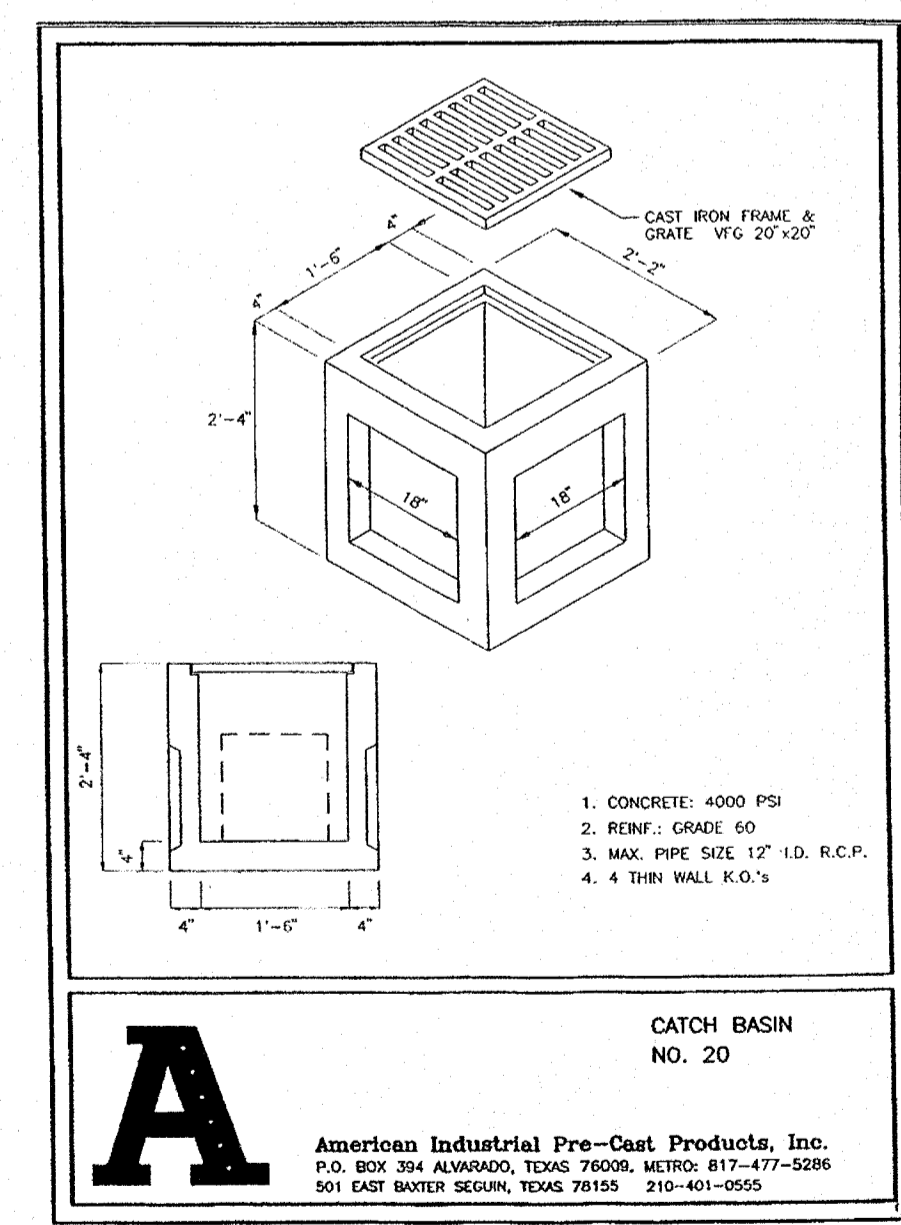


**LEGEND**

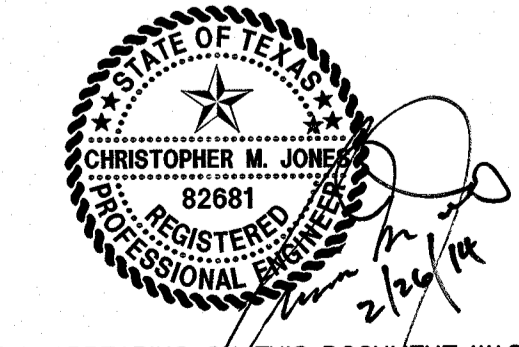
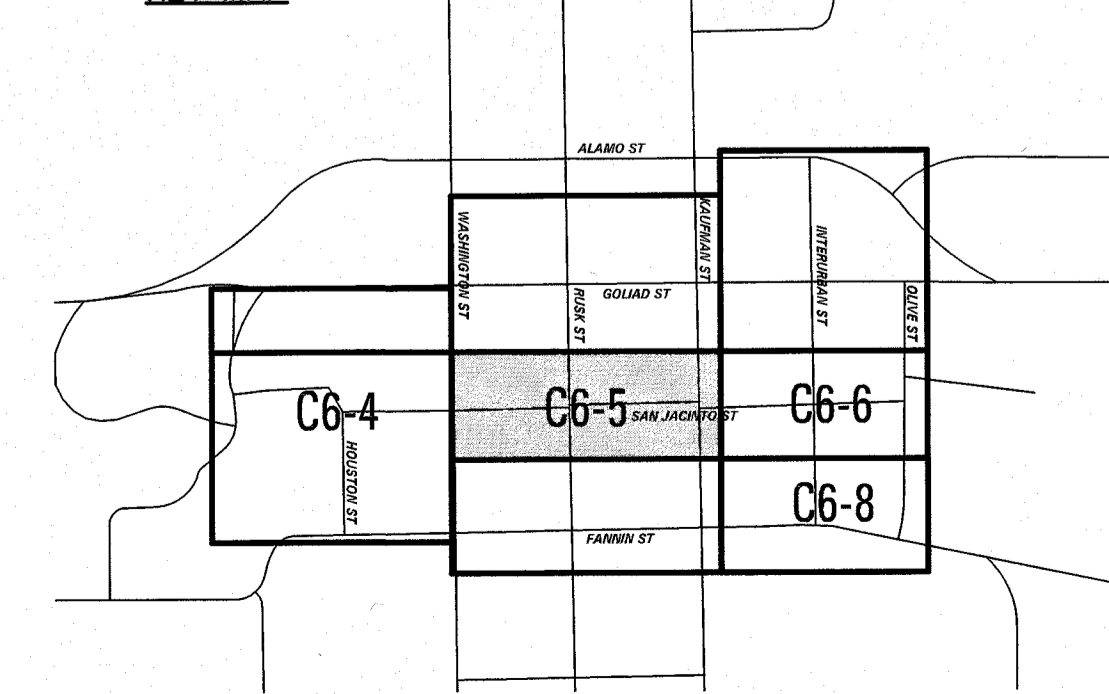
B	BOLLARD	FL	FLOOD LIGHT
DM	ELECTRIC METER	FP	FLAG POLE
PP	POWER POLE	SI	TRAFFIC SIGN
LS	LIGHT STANDARD	IR	1/2-INCH IRON ROD
WM	WATER METER	W/P	W/PACHECO KOCH" CAP SET
WV	WATER VALVE	(C.M.)	CONTROLLING MONUMENT
ICV	IRRIGATION CONTROL VALVE	---	PROPERTY LINE
FH	FIRE HYDRANT	X	FENCE
CO	CLEANOUT	OH	OVERHEAD UTILITY LINE
MH	MANHOLE	E	UNDERGROUND ELECTRIC LINE
TSC	TRAFFIC SIGNAL CONTROL	T	UNDERGROUND TELEPHONE LINE
TSP	TRAFFIC SIGNAL POLE	C	UNDERGROUND CABLE LINE
TEL	TELEPHONE BOX	6"W	UNDERGROUND WATER LINE
		6"SS	UNDERGROUND SANITARY SEWER LINE

**BENCH MARK LIST**

BM # 1	"+" SET IN BOX ON CURB INLET ON NORTHWEST CORNER OF ALAMO ST. AND GOLIAD ST.	ELEV=574.54
BM # 2	"+" SET IN BOX ON BACK OF CURB ON SOUTH SIDE OF A CURB RETURN TO A PARKING LOT ON EAST SIDE OF FANNIN ST. ±7 FEET SOUTH OF OLIVE ST.	ELEV=573.63
BM # 3	"+" SET IN BOX ON SOUTH WEST CORNER OF GOLIAD ST. AND KAUFMAN ST. ±40 FEET WEST OF C OF GOLIAD ST. AND ±25 FEET SOUTH OF C OF KAUFMAN	ELEV=587.41
BM # 4	"+" SET IN BOX ON NORTH EAST CORNER OF N. FANNIN ST. AND KAUFMAN ST. ±15 FEET NORTH OF C OF KAUFMAN ST. AND ±30 FEET EAST FROM C OF KAUFMAN ST.	ELEV=578.80
BM # 5	"+" SET IN BOX ON NORTH WEST CORNER OF WASHINGTON ST. ON GOLIAD ST. ±40 FEET WEST OF C OF GOLIAD ST. AND ±25 FEET NORTH OF C OF WASHINGTON ST.	ELEV=595.39
BM # 6	"+" SET IN BOX SOUTH EAST CORNER OF WASHINGTON ST. AND FANNIN ST ±22 FEET OF C OF FANNIN ST. AND ±45 FEET SOUTH OF C OF WASHINGTON ST.	ELEV=580.69



sheet location  
KEY MAP



THE SEAL APPEARING ON THIS DOCUMENT WAS AUTHORIZED BY CHRISTOPHER M. JONES, P.E. 82681 ON 02/28/2014. ALTERATION OF A SEALED DOCUMENT WITHOUT PROPER NOTIFICATION TO THE RESPONSIBLE ENGINEER IS AN OFFENSE UNDER THE TEXAS ENGINEERING PRACTICE ACT.

submittals / revisions

no.	date	detail
1	4/10/14	RFI'S 24, 65 & 74

la terra studio, inc.

12024  
its project number  
02.26.2014  
date  
JHB  
drawn by  
CMJ  
checked by  
registration

sheet title  
**STORM DRAINAGE PLAN**

sheet number

**C6-5**