



submittals / revisions

no.	date	detail
△	06/17/14	RFI #93
△	09/10/15	RFI #38
△	10/26/15	RFI #211
△	12/02/15	LAS# #23
△	12/03/15	RFI #213

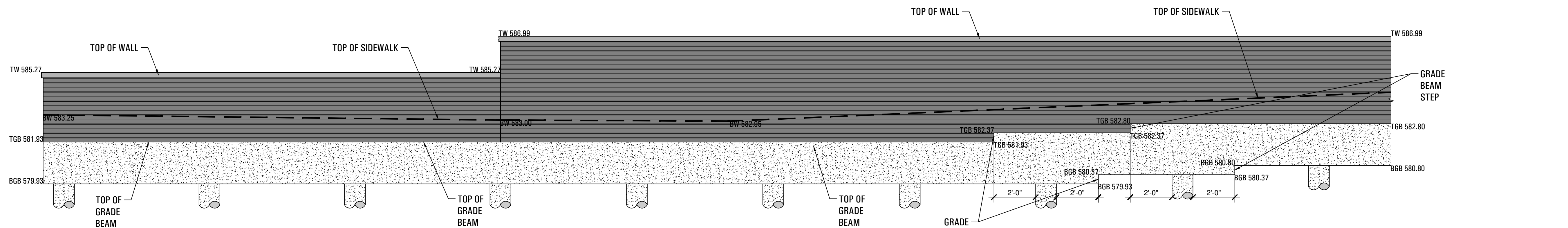
la terra studio, inc.

12024
 its project number
 02.26.2014
 date
 rac; bhm
 drawn by
 mtb
 checked by

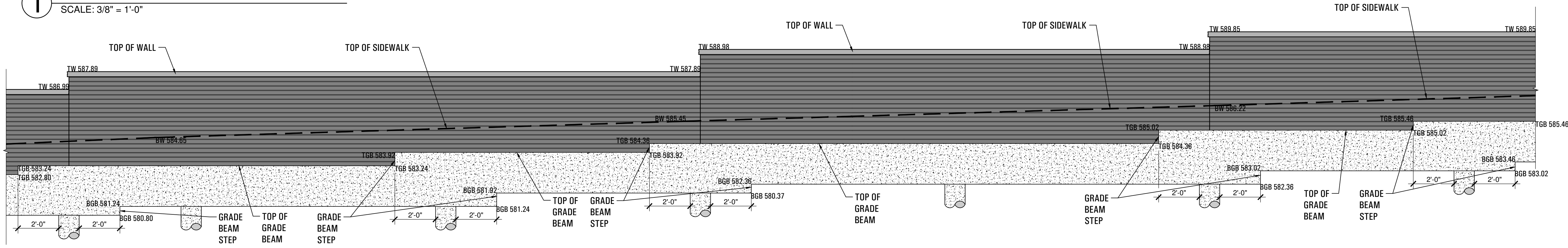


Site Details
 sheet number

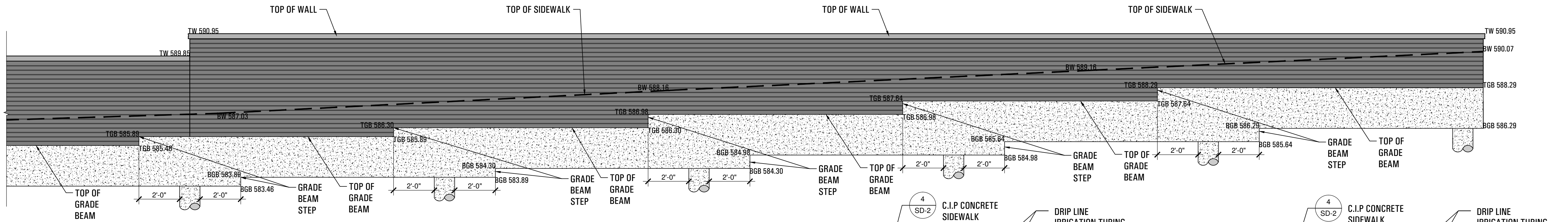
SD-9



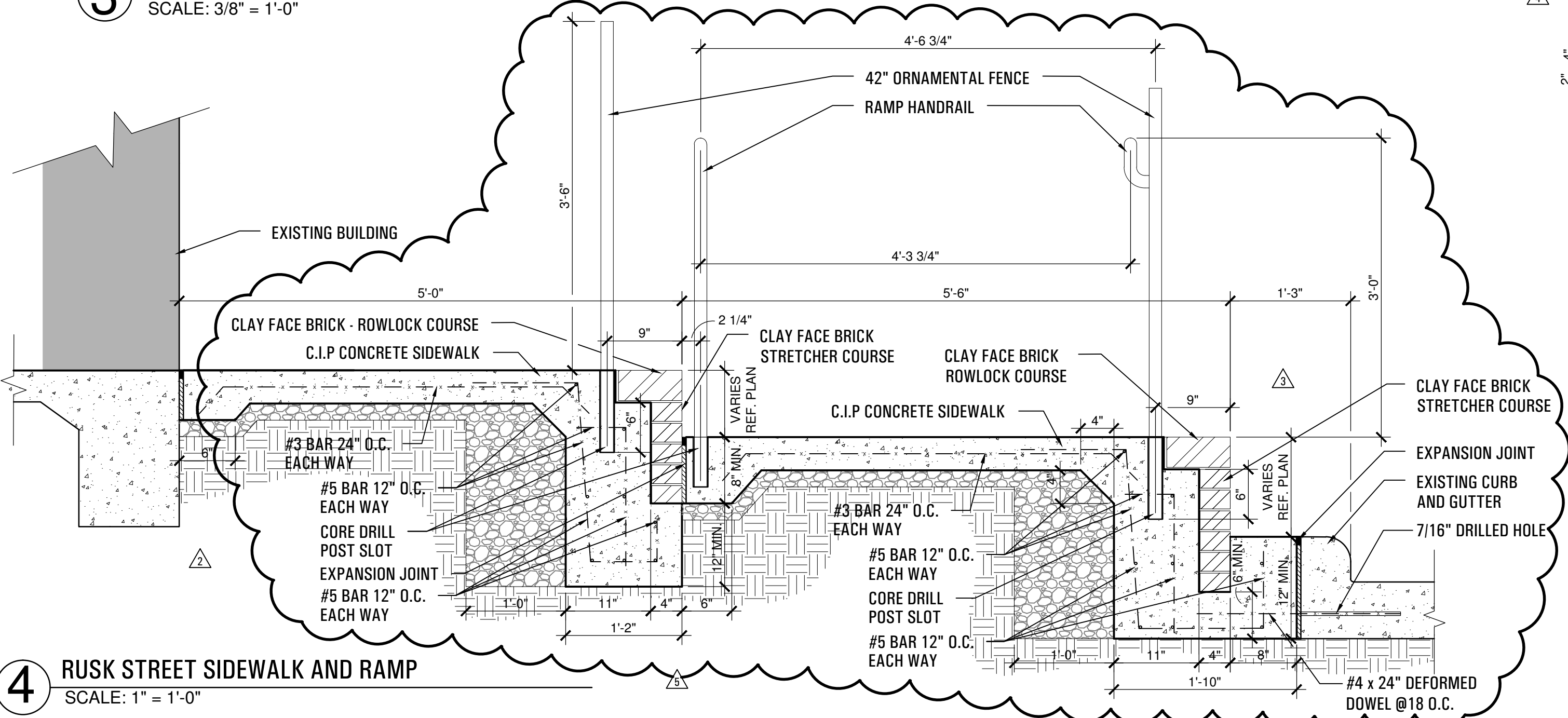
1 SOUTH WALL ELEVATION - CITYPLACE
 SCALE: 3/8" = 1'-0"



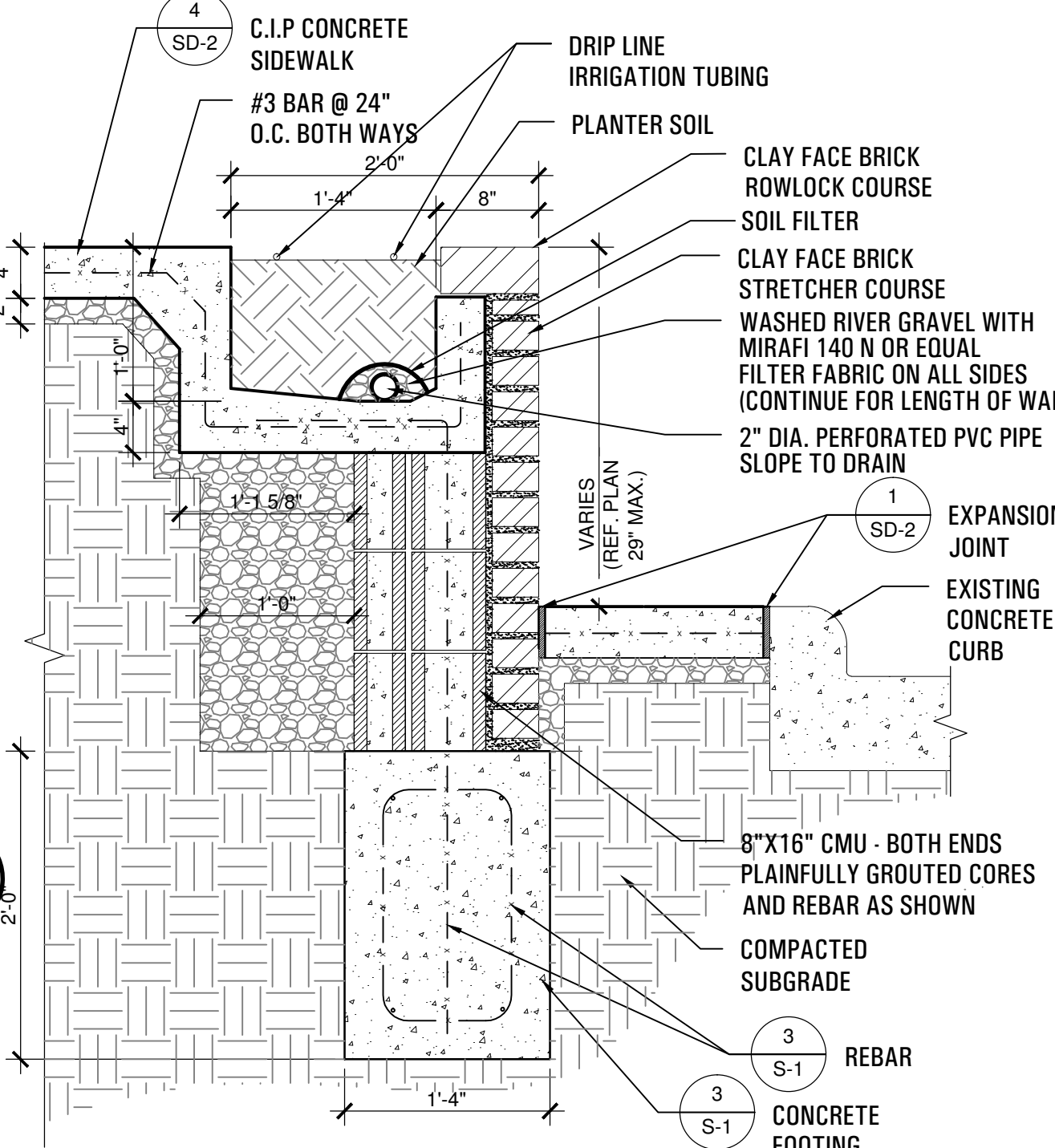
2 WALL ELEVATION - CITYPLACE
 SCALE: 3/8" = 1'-0"



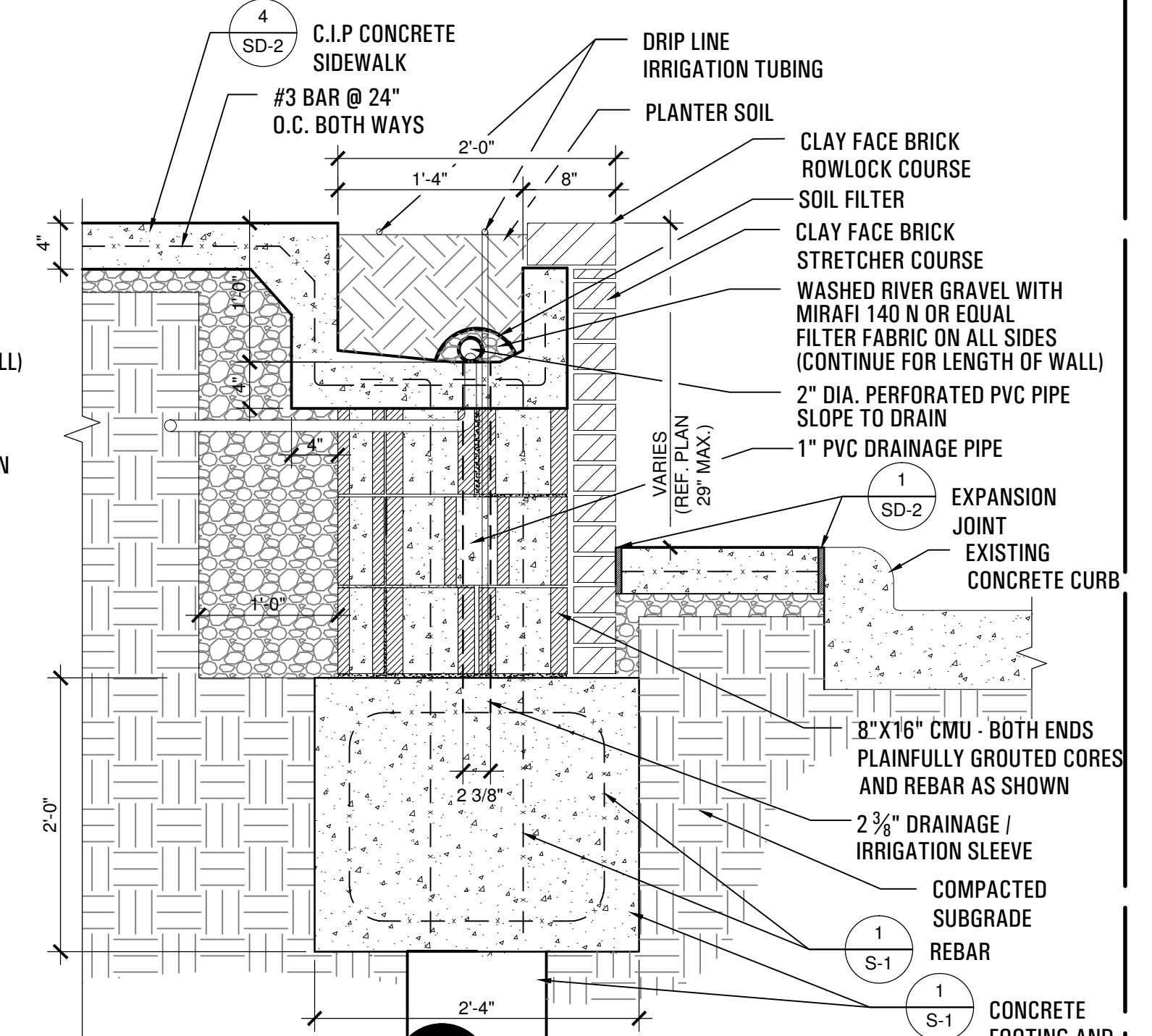
3 NORTH WALL ELEVATION - CITYPLACE
 SCALE: 3/8" = 1'-0"



4 RUSK STREET SIDEWALK AND RAMP
 SCALE: 1" = 1'-0"



5 GOLIAD SIDEWALK @ BRICK VENEER PLANTER WALL
 SCALE: 1" = 1'-0"



6 GOLIAD SIDEWALK @ BRICK VENEER PLANTER COLUMN BASE
 SCALE: 1" = 1'-0"

© 2013 la terra studio, inc. All Rights Reserved FILE:P:\12024-Downtown Rockwall PS&E - Rockwall\CAD\Sheet\12024-Str Details_9.dwg