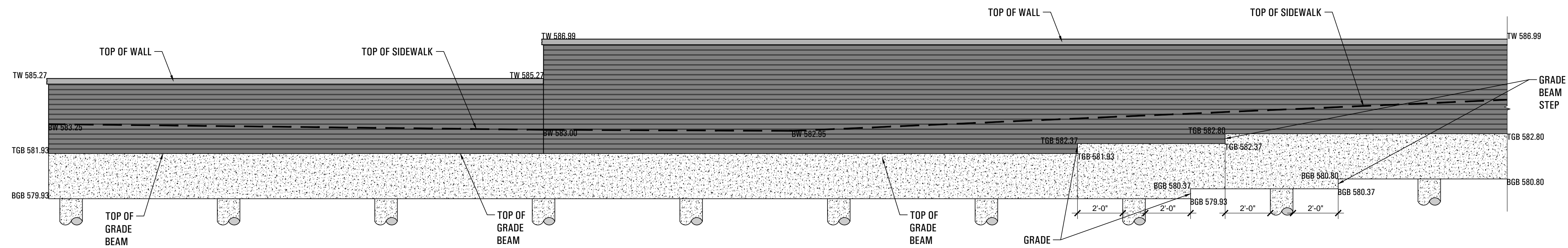
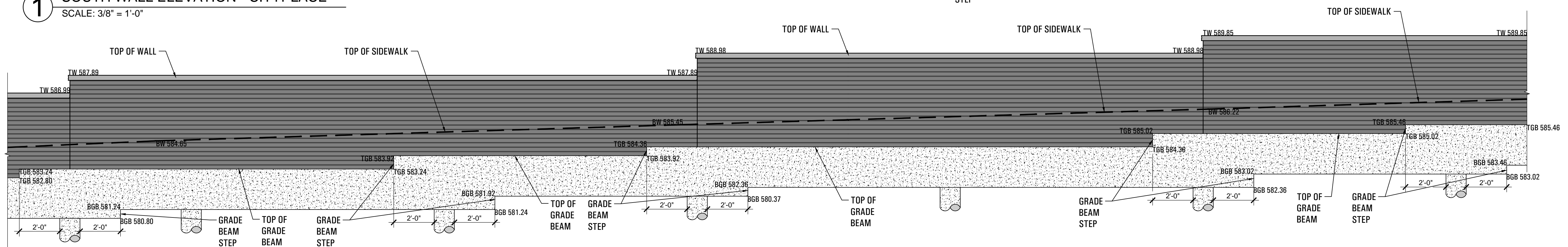


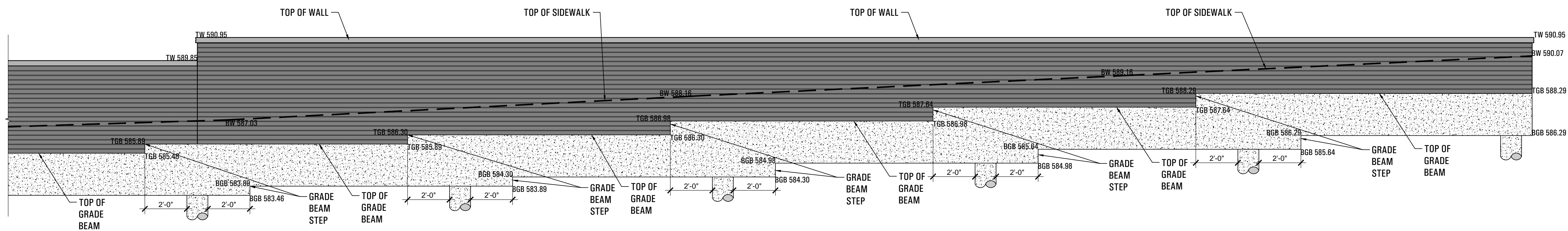
© 2013 la terra studio, inc. All Rights Reserved FILE:R:\12024-Downtown Rockwall PS&E - Rockwall\CAD\Sheet\12024-Str Details_9.dwg



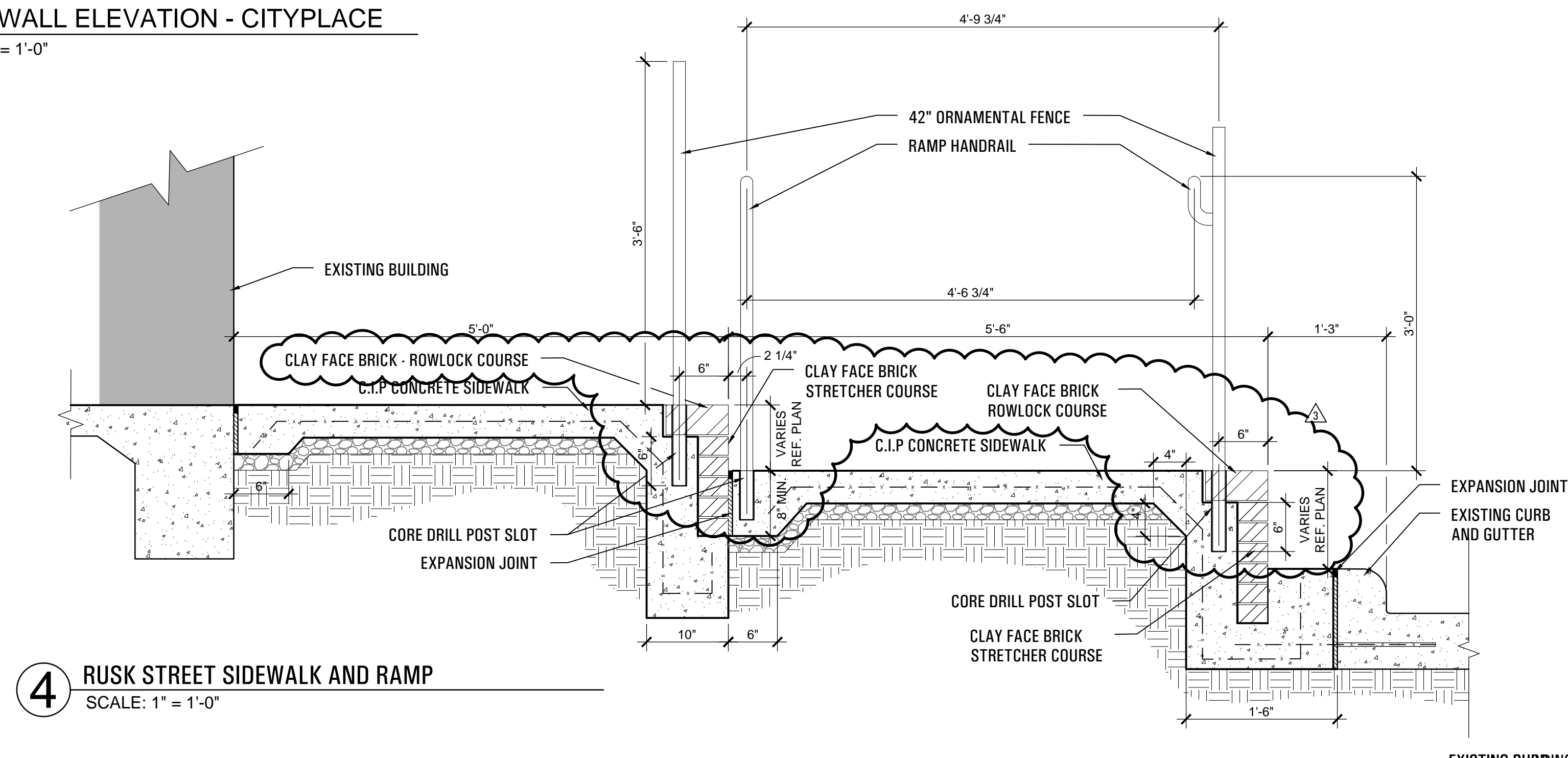
1 SOUTH WALL ELEVATION - CITYPLACE
SCALE: 3/8" = 1'-0"



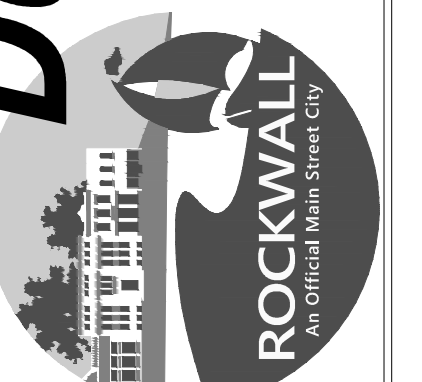
2 WALL ELEVATION - CITYPLACE
SCALE: 3/8" = 1'-0"



3 NORTH WALL ELEVATION - CITYPLACE
SCALE: 3/8" = 1'-0"



4 RUSK STREET SIDEWALK AND RAMP
SCALE: 1" = 1'-0"



submittals / revisions

no.	date	detail
△	06/17/14	RFI #93
△	09/10/15	RFI #38
△	10/26/15	RFI #211

la terra studio, inc.

12024
its project number
02.26.2014
date
rac; bhm
drawn by
mtb
checked by

registration



02.26.2014
sheet title

△ Site Details
sheet number

SD-9