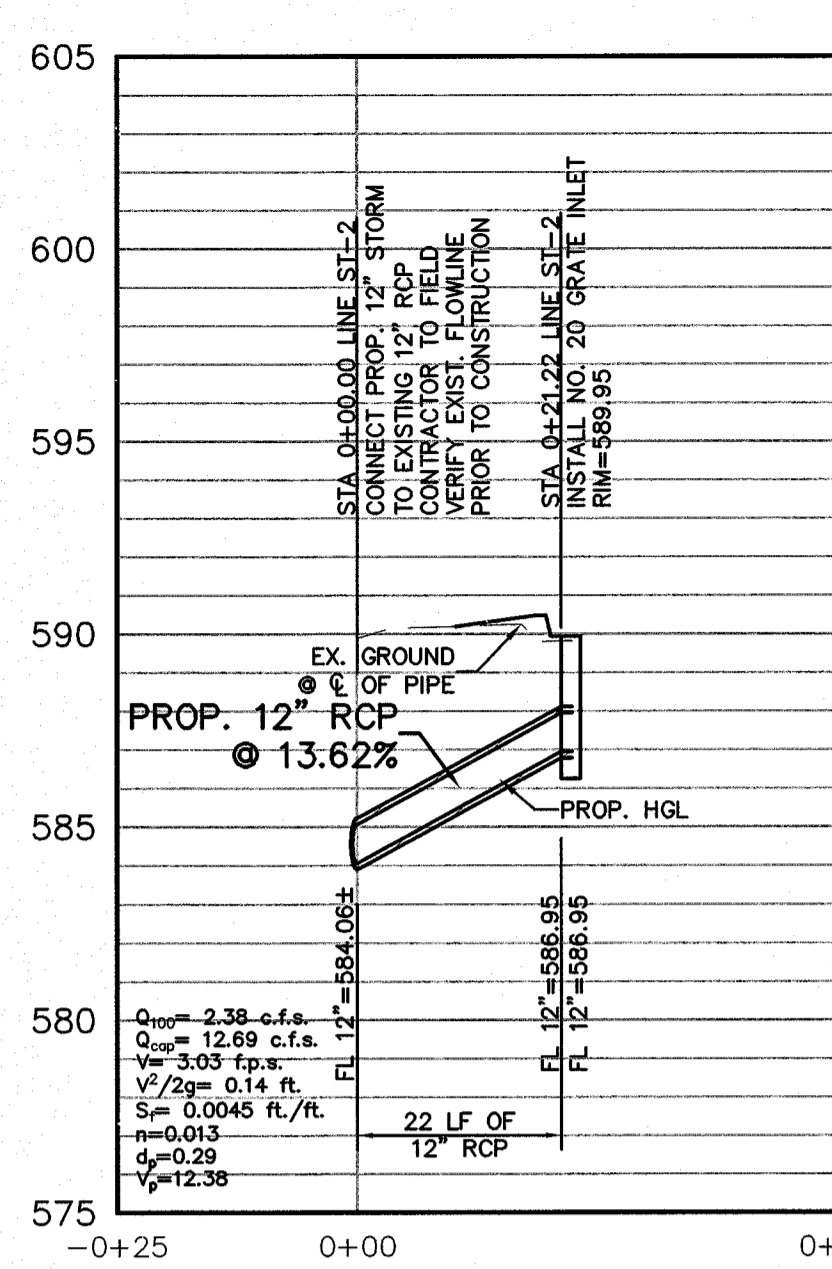
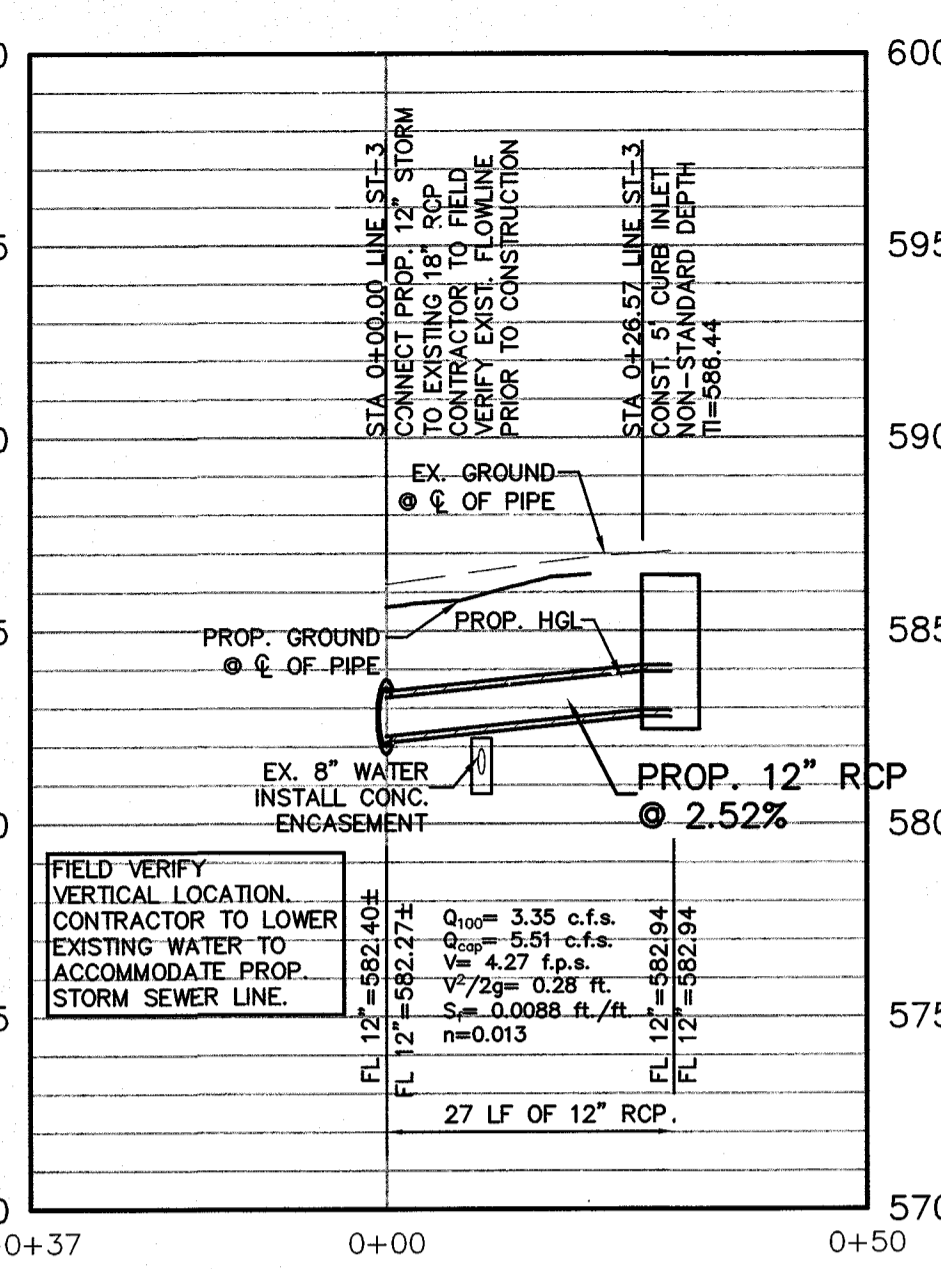


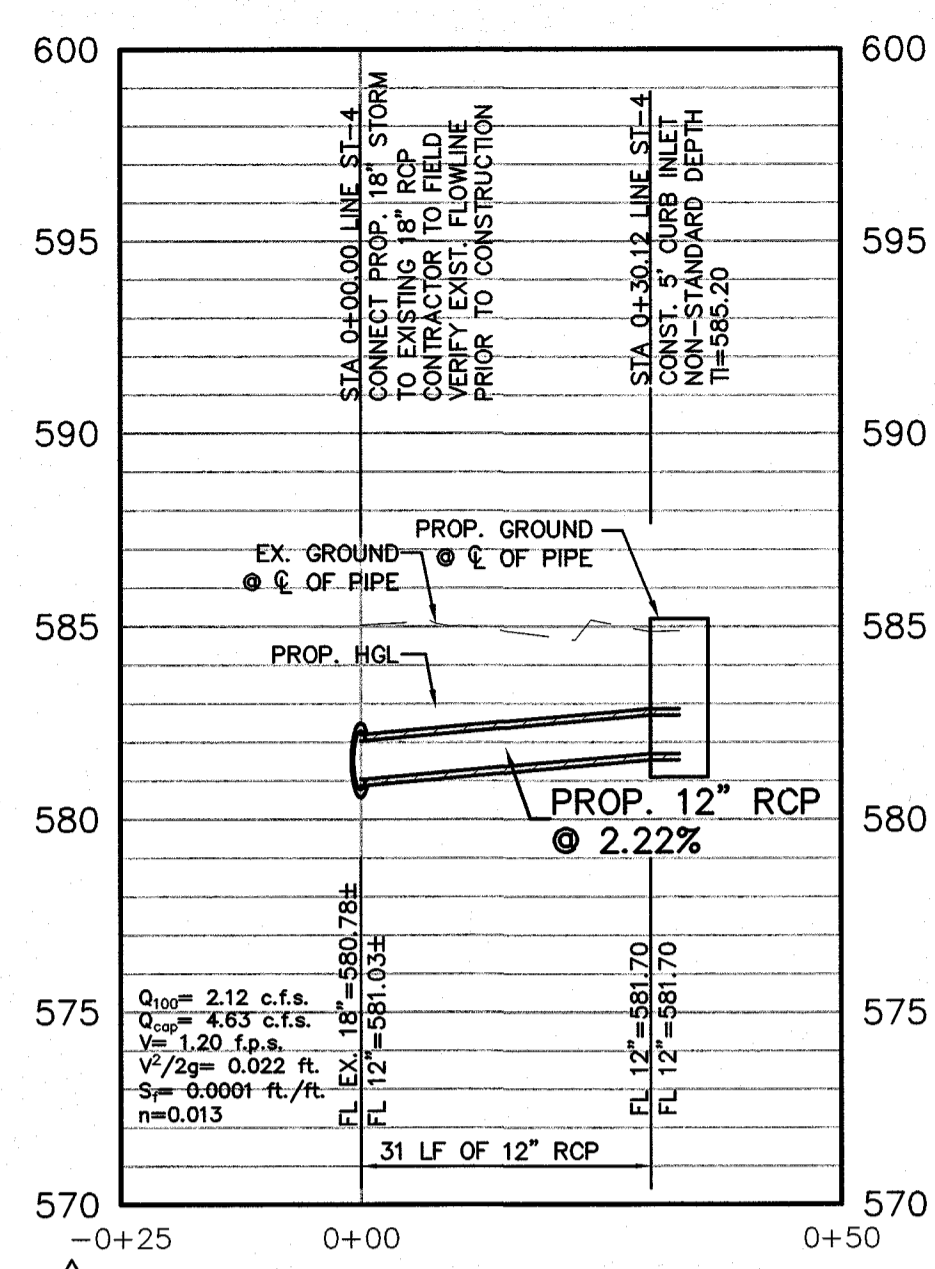
PROFILE ST-1H



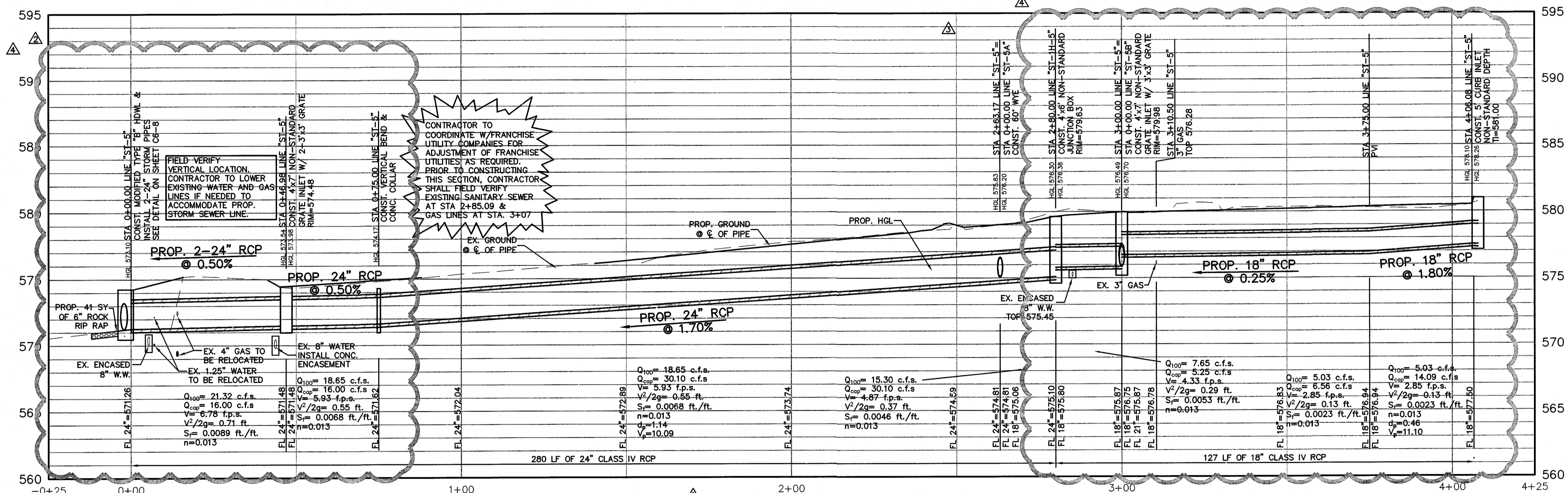
PROFILE ST-2



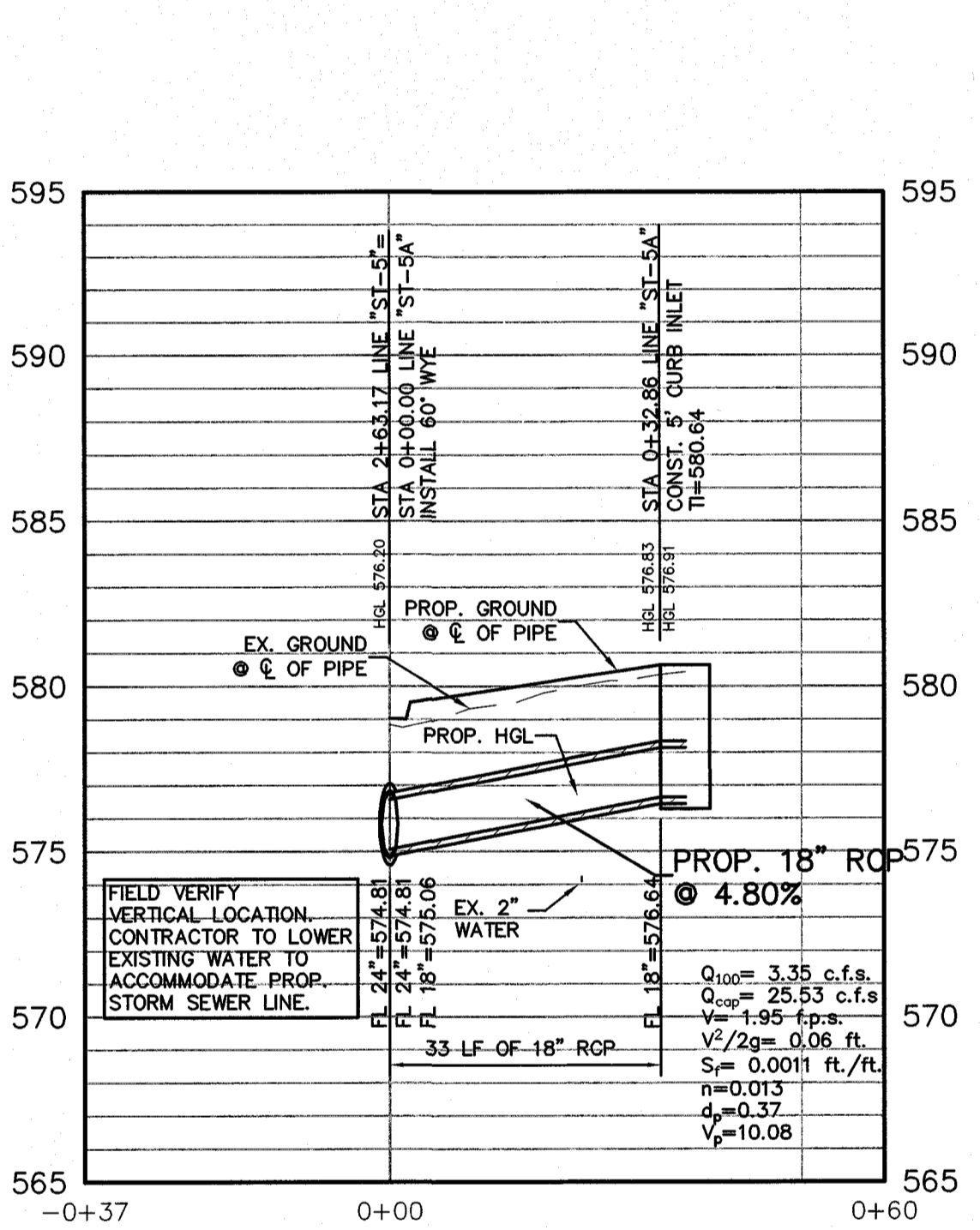
PROFILE ST-3



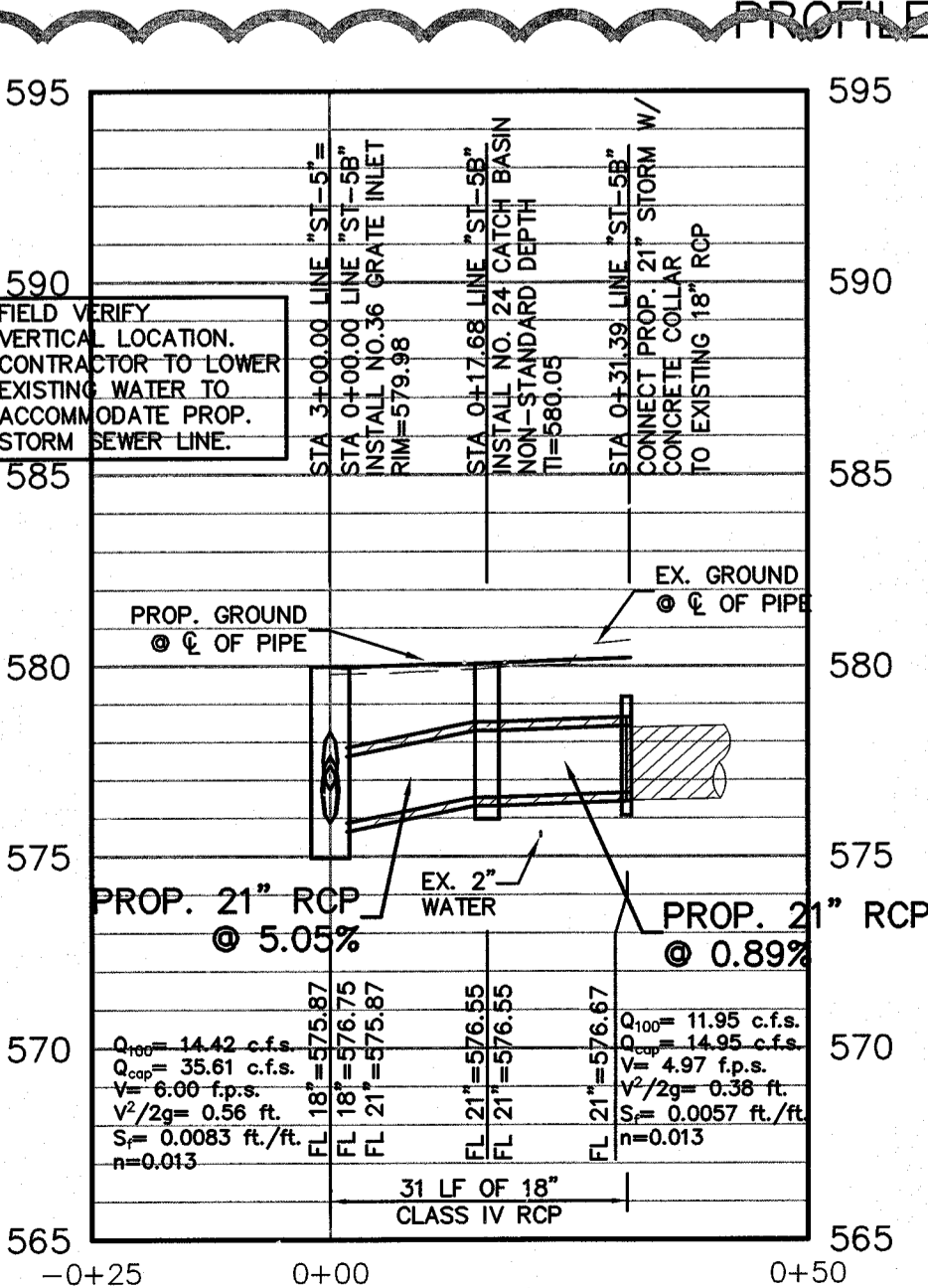
PROFILE ST-4



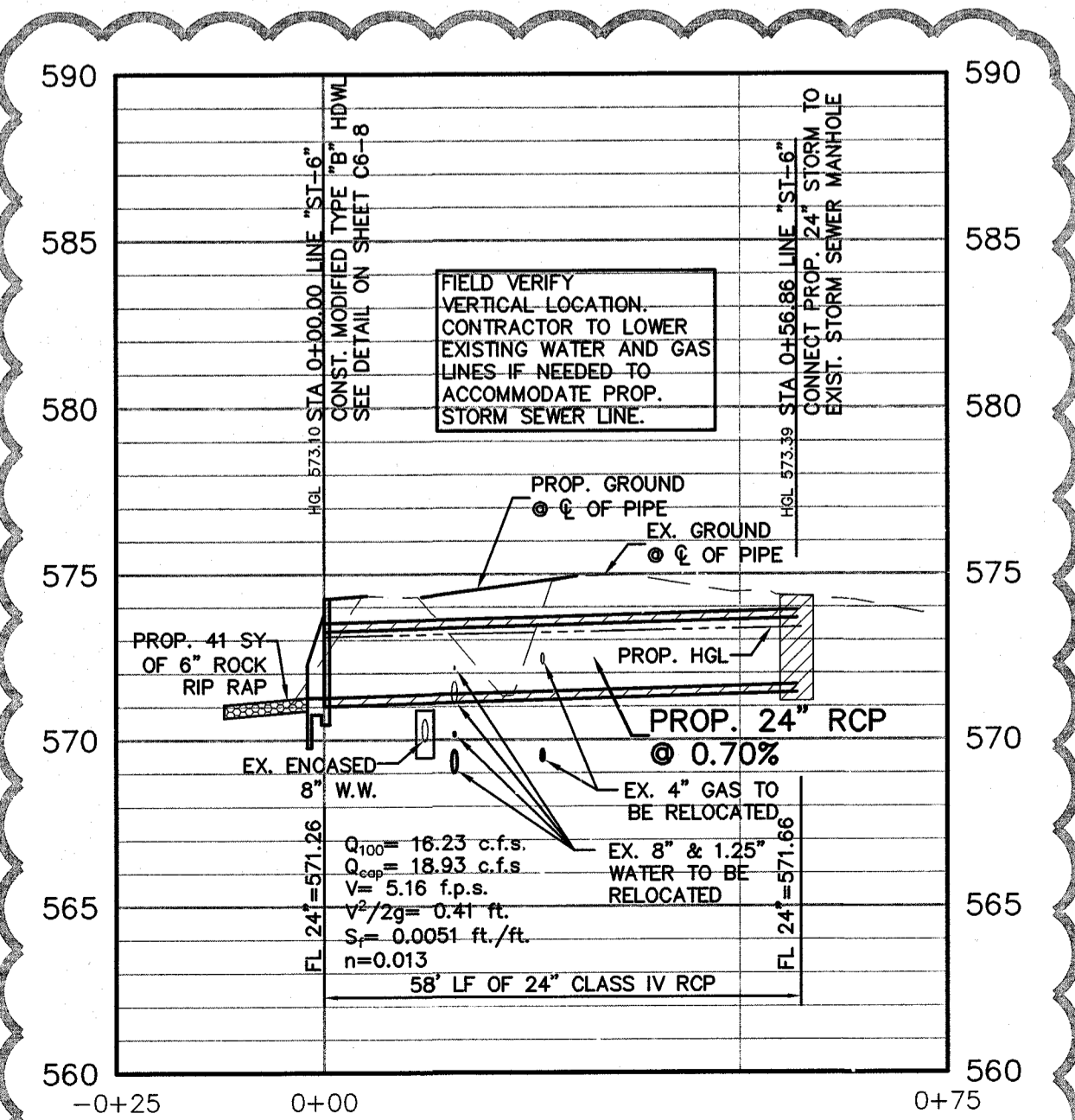
PROFILE ST-5



PROFILE ST-5A



PROFILE ST-5B



PROFILE ST-6

BENCH MARK LIST

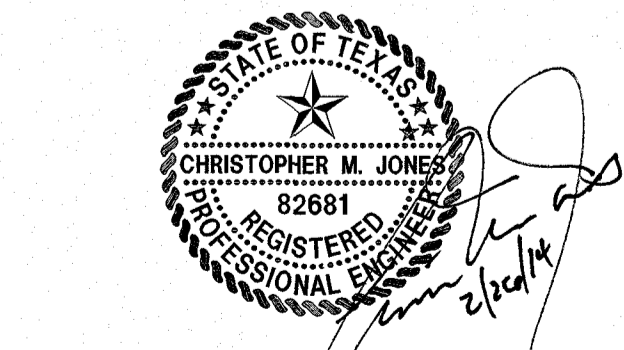
BM# 1	"+" SET IN BOX ON CURB INLET ON NORTHWEST CORNER OF ALAMO ST. AND GOLIAS ST. ELEV=574.54
BM# 2	"+" SET IN BOX ON BACK OF CURB ON SOUTH SIDE OF A CURB RETURN TO A PARKING LOT ON EAST SIDE OF FANNIN ST. ±7 FEET SOUTH OF OLIVE ST. ELEV=573.63
BM# 3	"+" SET IN BOX ON SOUTH WEST CORNER OF GOLIAS ST. AND KAUFMAN ST. ±40 FEET WEST OF E OF GOLIAS ST. AND ±25 FEET SOUTH OF E OF KAUFMAN ELEV=587.41
BM# 4	"+" SET IN BOX ON NORTH EAST CORNER OF N. FANNIN ST. AND KAUFMAN ST. ±15 FEET NORTH OF E OF KAUFMAN ST. AND ±30 FEET EAST FROM E OF KAUFMAN ST. ELEV=578.80
BM# 5	"+" SET IN BOX ON NORTH WEST CORNER OF WASHINGTON ST. ON GOLIAS ST. ±40 FEET WEST OF E OF GOLIAS ST. AND ±25 FEET NORTH OF E OF WASHINGTON ST. ELEV=595.39
BM# 6	"+" SET IN BOX SOUTH EAST CORNER OF WASHINGTON ST. AND FANNIN ST. ±22 FEET OF E OF FANNIN ST. AND ±45 FEET SOUTH OF E OF WASHINGTON ST. ELEV=580.69

Downtown Rockwall
streetscape improvements
PHASE 2
rockwall, texas

submittals / revisions

no.	date	detail
△	4/10/14	RFI'S 24 & 65
△	7/11/14	LASI #7
△	1/28/15	LASI #13
△	6/3/15	RFI'S 165, 166, 178 & 180

la terra studio, inc.
12024
its project number
02.26.2014
date
JHB
drawn by
CMJ
checked by
registration



THE SEAL APPEARING ON THIS DOCUMENT WAS AUTHORIZED BY CHRISTOPHER M. JONES, P.E. 82681 ON 02/26/2014. ALTERATION OF A SEALED DOCUMENT WITHOUT PROPER NOTIFICATION TO THE RESPONSIBLE ENGINEER IS AN OFFENSE UNDER THE TEXAS ENGINEERING PRACTICE ACT.

sheet title
STORM DRAINAGE PROFILES
sheet number

C6-10