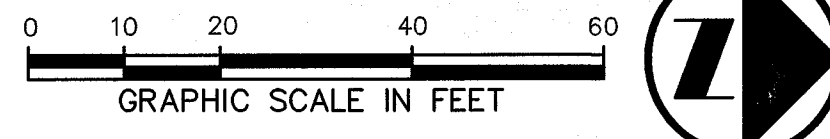
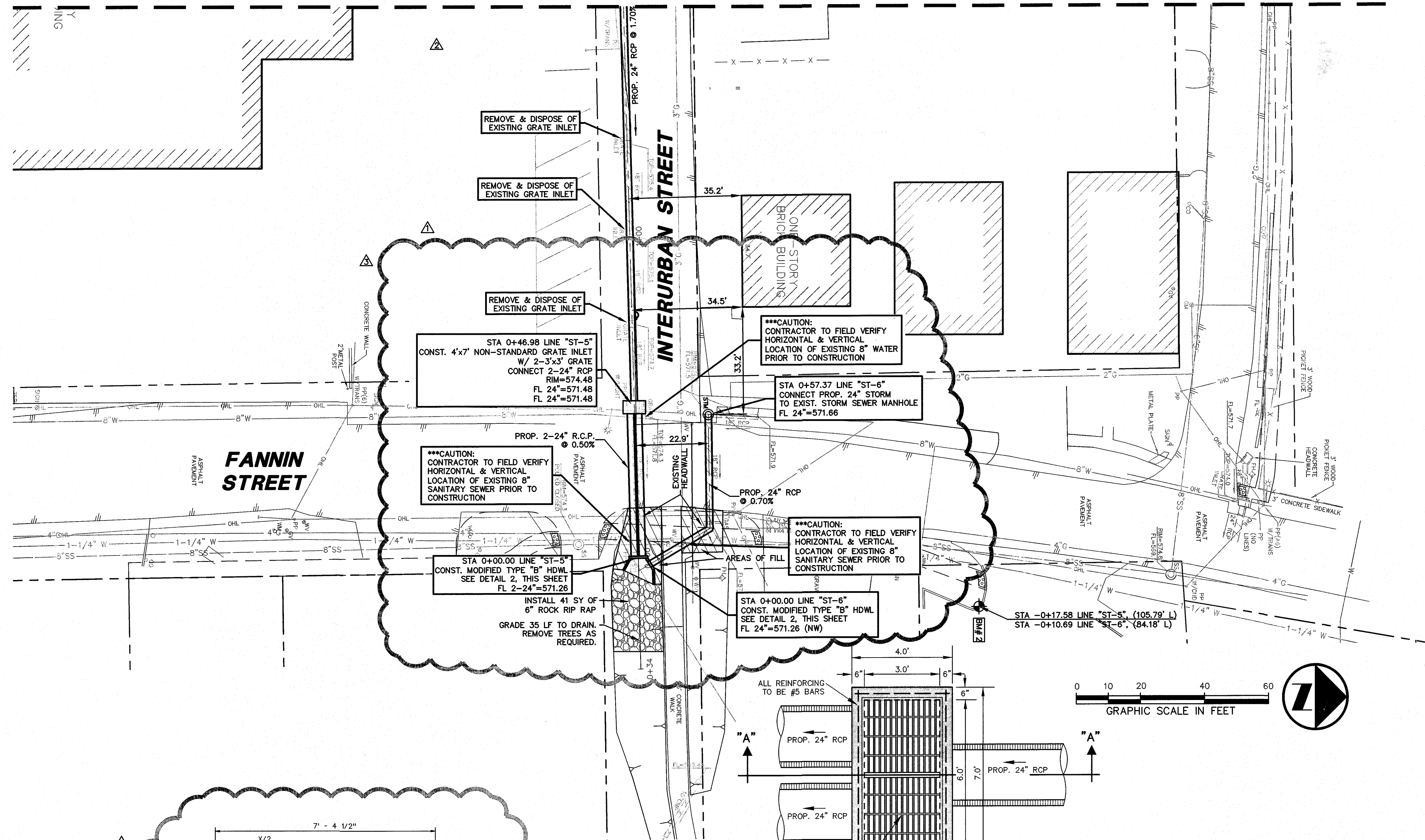


MATCH LINE - SHEET C6-6

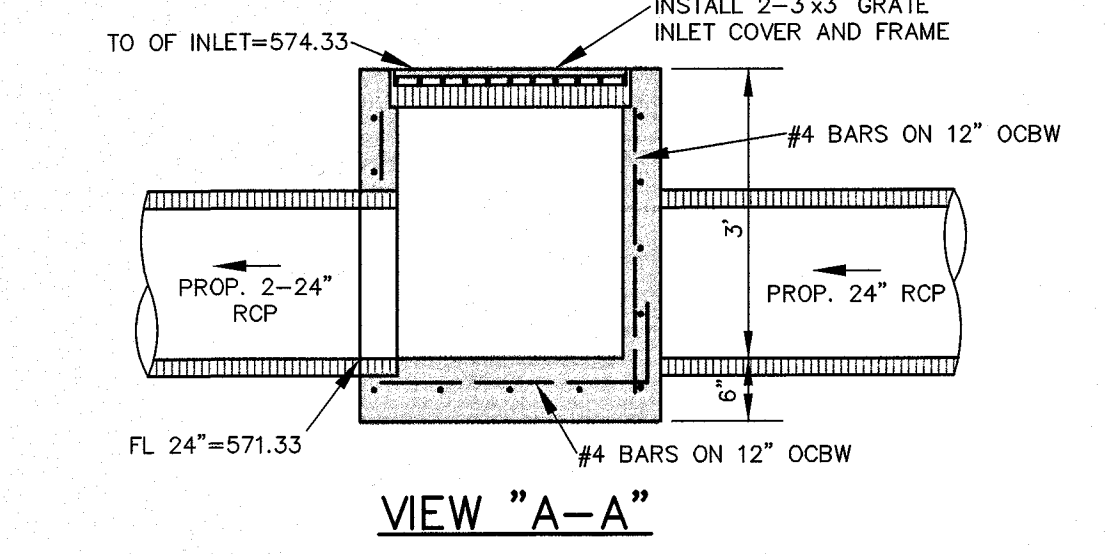
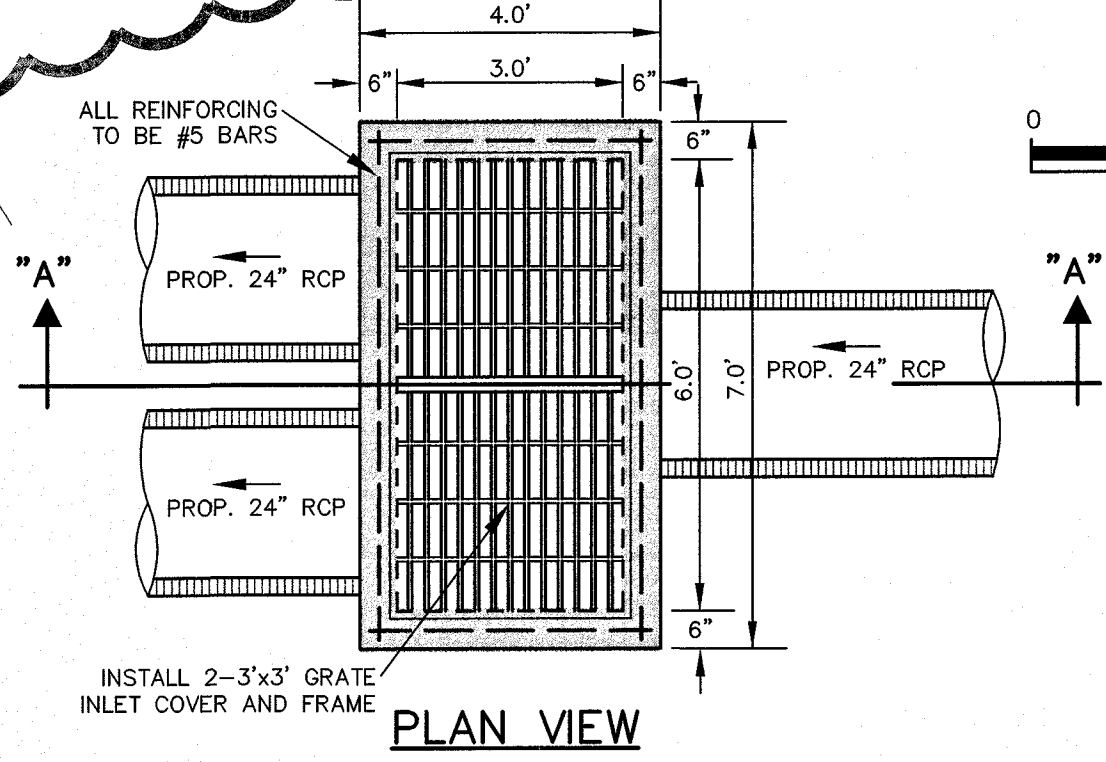
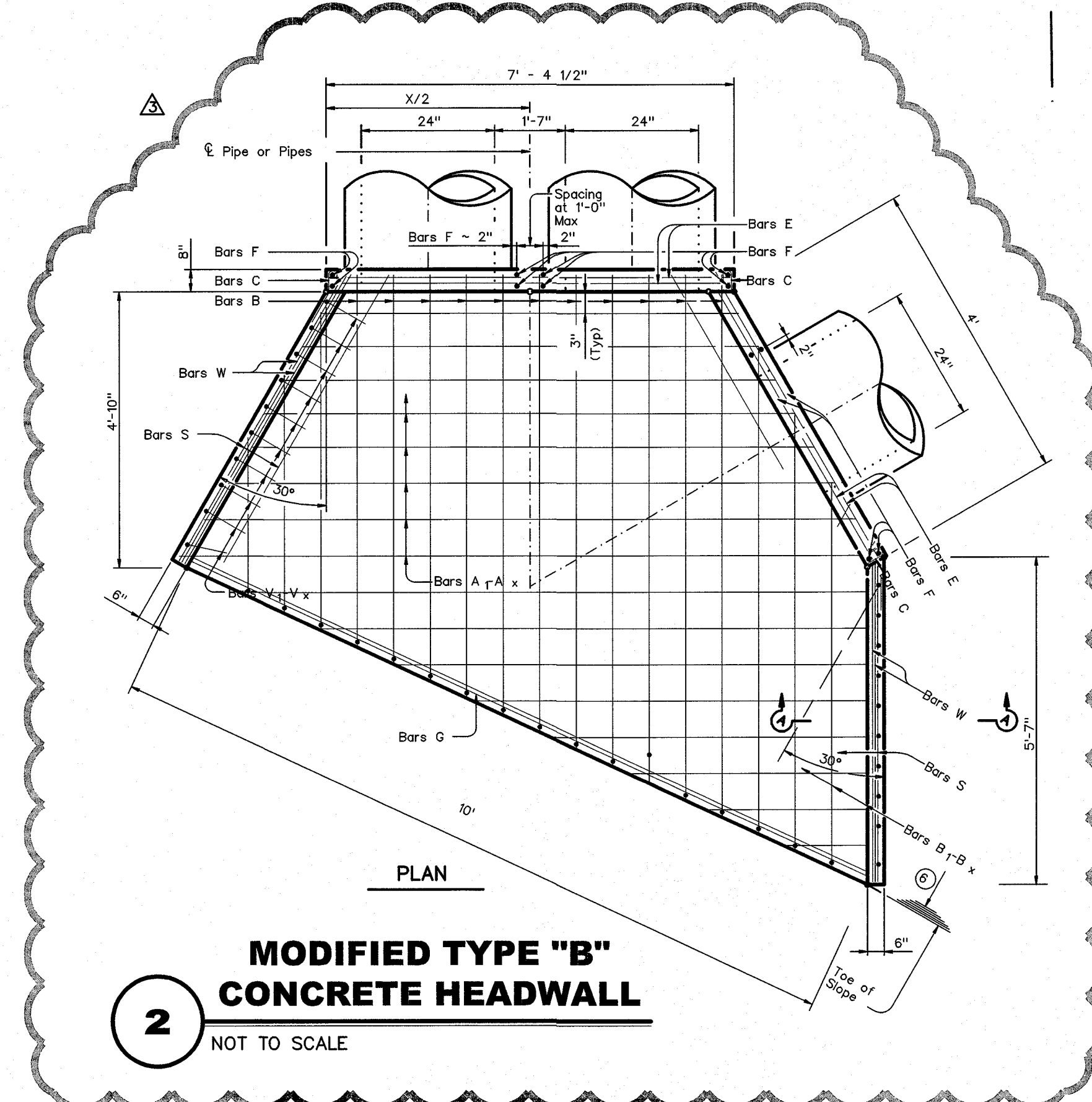


LEGEND

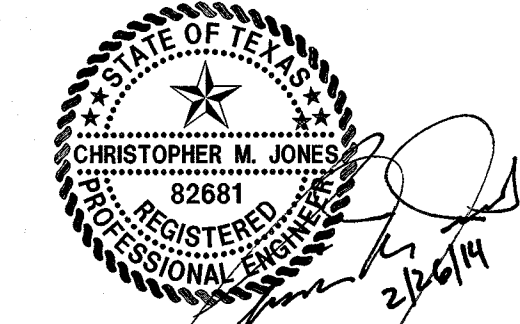
B	BOLLARD	FL	FLOOD LIGHT
EM	ELECTRIC METER	FP	FLAG POLE
PP	POWER POLE	SIGN	TRAFFIC SIGN
LS	LIGHT STANDARD	1/2"	1/2-INCH IRON ROD
WM	WATER METER	W/P	W/PACHECO KOCH CAP SET
WV	WATER VALVE	(C.M.)	CONTROLLING MONUMENT
ICV	IRRIGATION CONTROL VALVE	---	PROPERTY LINE
FH	FIRE HYDRANT	-X-	FENCE
CO	CLEANOUT	OHL	OVERHEAD UTILITY LINE
MH	MANHOLE	E	UNDERGROUND ELECTRIC LINE
TSC	TRAFFIC SIGNAL CONTROL	T	UNDERGROUND TELEPHONE LINE
TSP	TRAFFIC SIGNAL POLE	C	UNDERGROUND CABLE LINE
TEL	TELEPHONE BOX	6"W	UNDERGROUND WATER LINE
		6"SS	UNDERGROUND SANITARY SEWER LINE

BENCH MARK LIST

BM # 1	"+" SET IN BOX ON CURB INLET ON NORTHWEST CORNER OF ALAMO ST. AND GOLIAD ST. ELEV=574.54
BM # 2	"+" SET IN BOX ON BACK OF CURB ON SOUTH SIDE OF A CURB RETURN TO A PARKING LOTON EAST SIDE OF FANNIN ST. ±7 FEET SOUTH OF OLIVE ST. ELEV=573.63
BM # 3	"+" SET IN BOX ON SOUTH WEST CORNER OF GOLIAD ST. AND KAUFMAN ST. ±40 FEET WEST OF C OF GOLIAD ST. AND ±25 FEET SOUTH OF C OF KAUFMAN ELEV=587.41
BM # 4	"+" SET IN BOX ON NORTH EAST CORNER OF N. FANNIN ST. AND KAUFMAN ST. ±15 FEET NORTH OF C OF KAUFMAN ST. AND ±30 FEET EAST FROM C OF KAUFMAN ST. ELEV=578.80
BM # 5	"+" SET IN BOX ON NORTH WEST CORNER OF WASHINGTON ST. ON GOLIAD ST. ±40 FEET WEST OF C OF GOLIAD ST. AND ±25 FEET NORTH OF C OF WASHINGTON ST. ELEV=595.39
BM # 6	"+" SET IN BOX SOUTH EAST CORNER OF WASHINGTON ST. AND FANNIN ST ±22 FEET OF C OF FANNIN ST. AND ±45 FEET SOUTH OF C OF WASHINGTON ST. ELEV=580.69

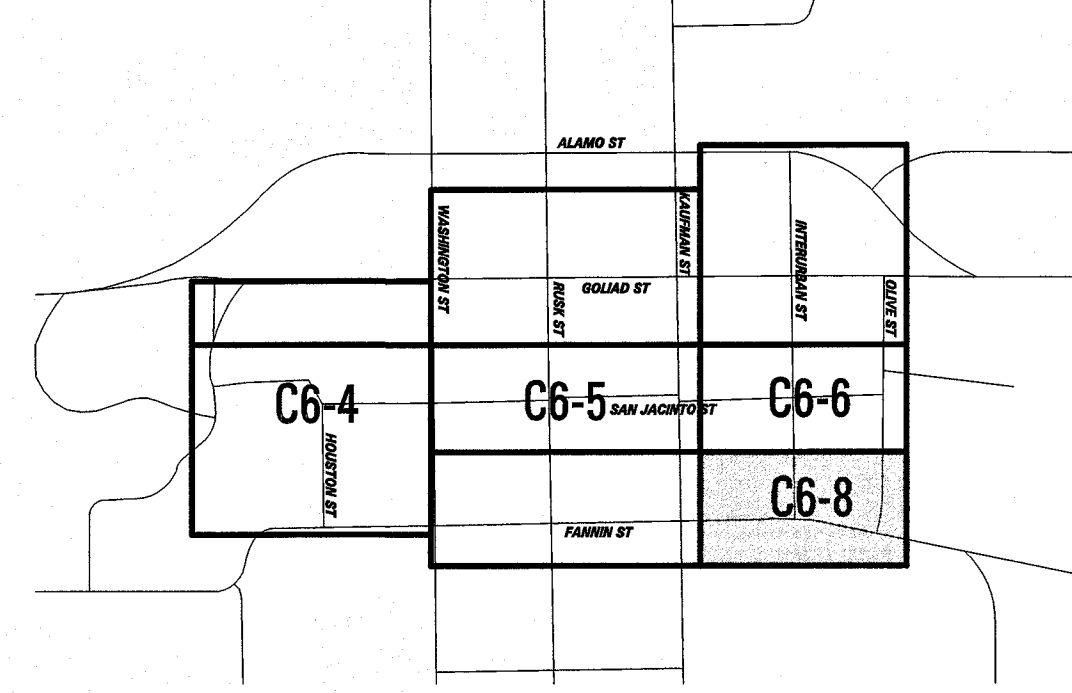


1 4'x7' NON-STANDARD GRATE INLET W/ 2 - 3'x3' GRATE
 NOT TO SCALE



THE SEAL APPEARING ON THIS DOCUMENT WAS AUTHORIZED BY CHRISTOPHER M. JONES, P.E. 82681 ON 02/26/2014. ALTERATION OF A SEALED DOCUMENT WITHOUT PROPER NOTIFICATION TO THE RESPONSIBLE ENGINEER IS AN OFFENSE UNDER THE TEXAS ENGINEERING PRACTICE ACT.

sheet location KEY MAP



submittals / revisions

no.	date	detail
12/11/13		ADDENDUM #2
7/11/14		LASI #7
4/2/15		RFI #166

la terra studio, inc.
 12024
 its project number
 02.26.2014
 date
 JHB
 drawn by
 CMJ
 checked by
 registration

sheet title
STORM DRAINAGE PLAN
 sheet number
C6-8