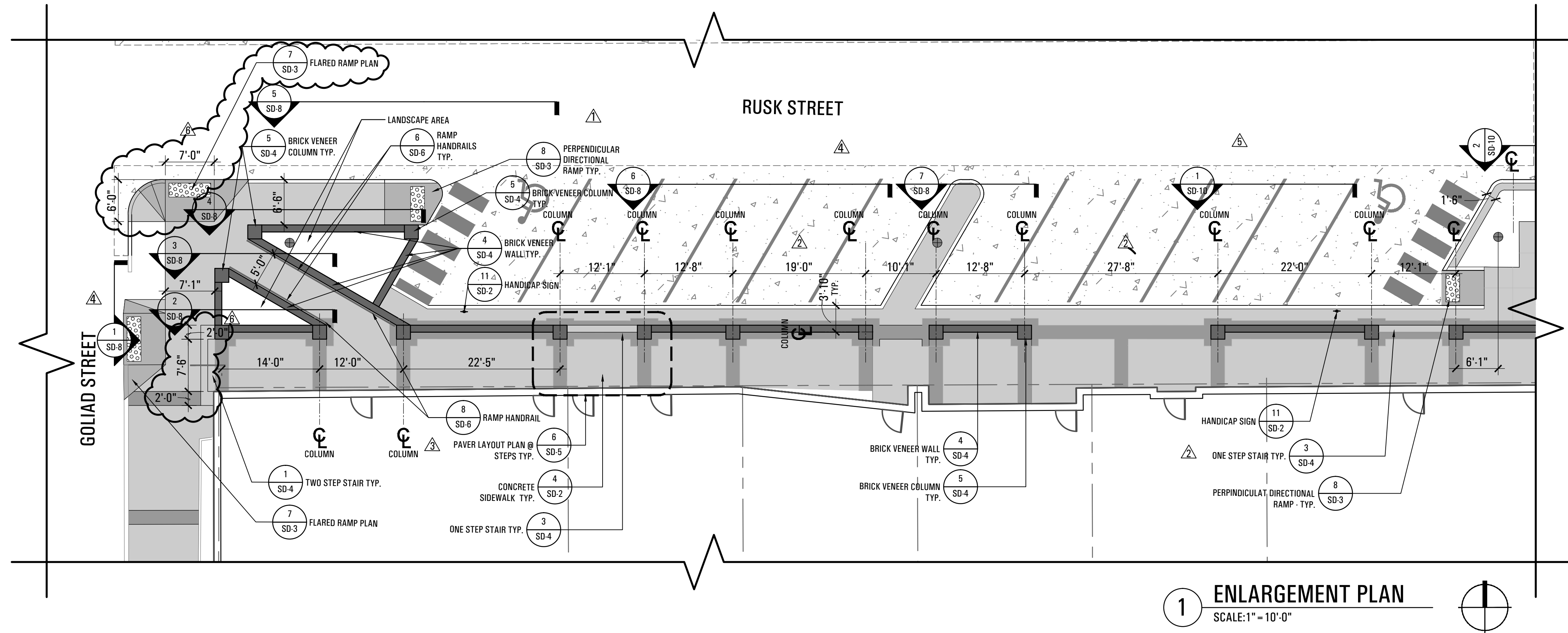
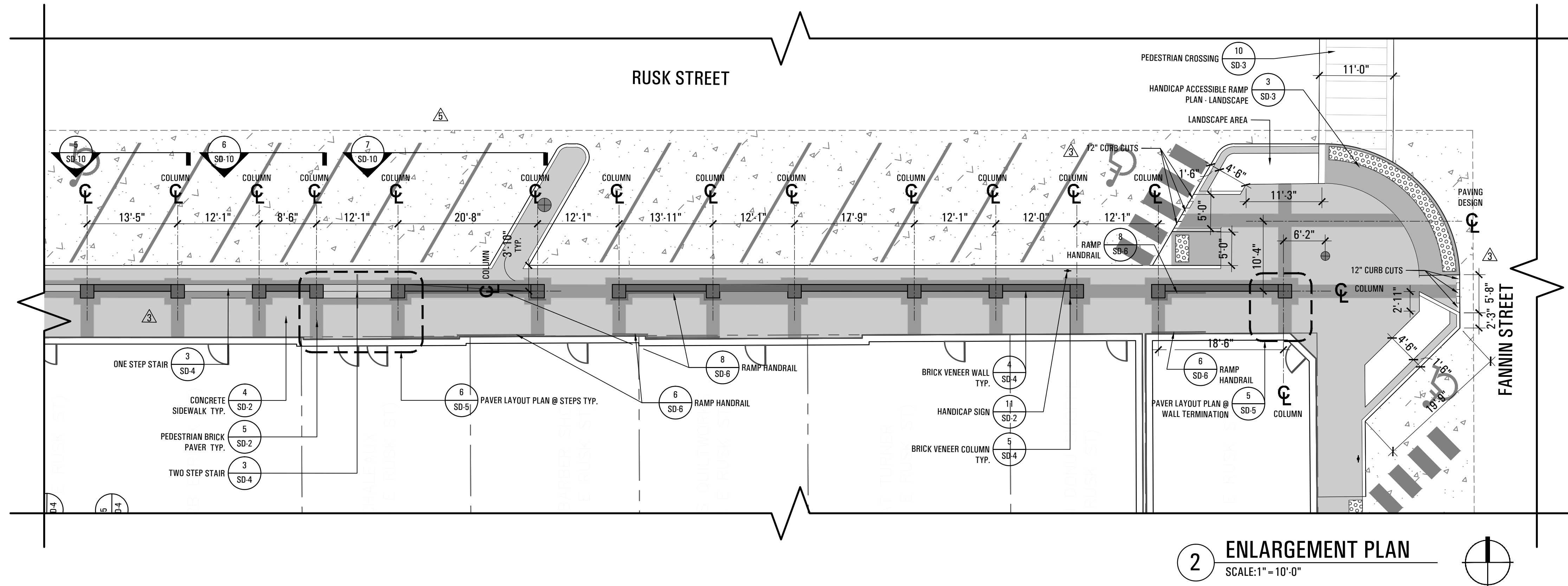


© 2013 la terra studio, inc. All Rights Reserved FILE:P:\12024-Downtown Rockwall PSS&E - Rockwall\CAD\SS&E\12024_Enlargement_Plan_key.dwg



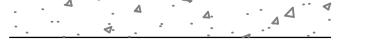



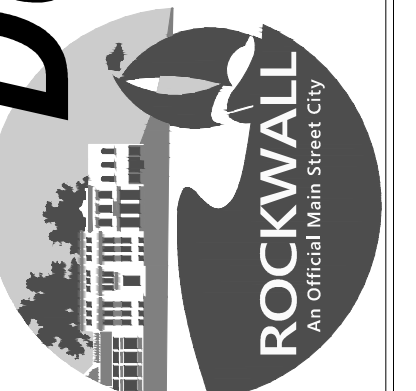
1 ENLARGEMENT PLAN
SCALE: 1" = 10'-0"



2 ENLARGEMENT PLAN
SCALE: 1" = 10'-0"

SITE PLAN LEGEND:

-  EDGE OF PAVEMENT
-  CONCRETE SIDEWALK PAVEMENT
-  CONCRETE VEHICULAR PAVEMENT
-  TYPICAL LIGHT FIXTURE



submittals / revisions

no.	date	detail
△	04/14/14	RFI #39
△	05/02/14	RFI #77 WEST RUSK GRADING
△	05/08/14	RFI #20, #38, #42, #43, #54
△	06/17/14	RFI #93
△	07/31/14	LASI #10
△	10/27/14	RFI #140

la terra studio, inc.
12024
its project number
02.26.2014
date
rac; bhm
drawn by
mtb
checked by

