



la terra studio



Pacheco Koch
DALLAS · FORT WORTH · HOUSTON



ENGINEERING ASSOCIATES

Downtown Rockwall

la terra studio Project #12024

streetscape improvements

rockwall, texas

PHASE 2



submittals / revisions

no.	date	detail
△	07/31/14	LASI #10
△	11/26/14	LASI #12
△	12/30/14	RFI #139

la terra studio, inc.

12024
its project number
02.26.2014
date
rac; bhm
drawn by
mtb
checked by

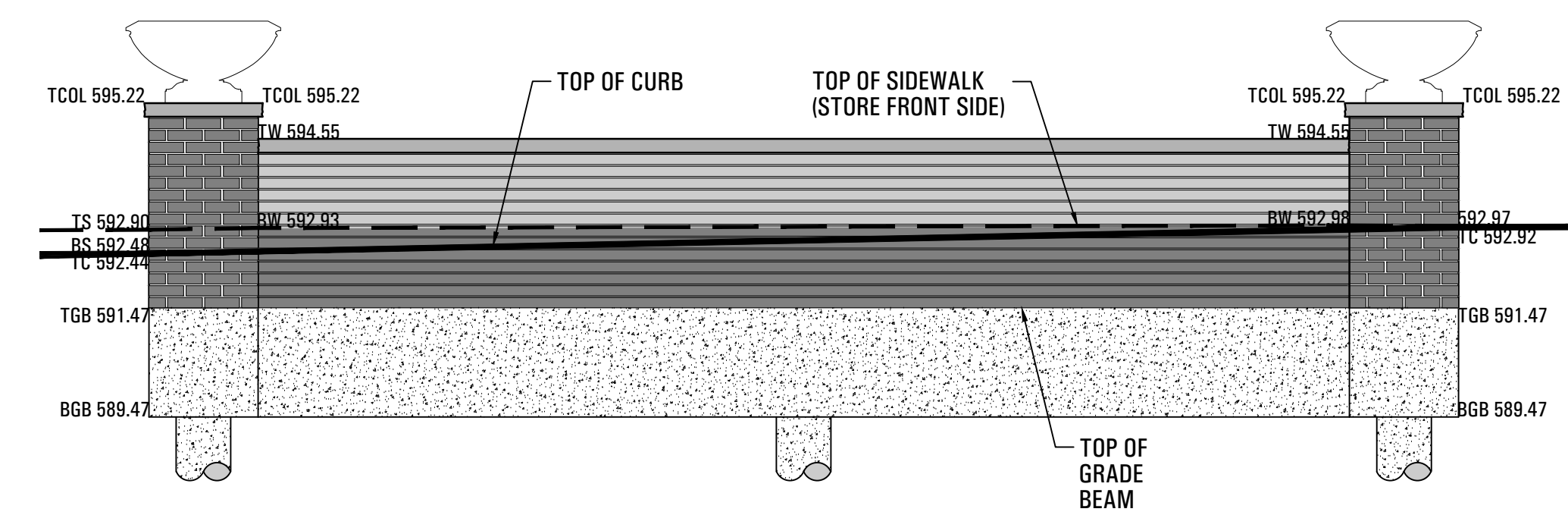
registration



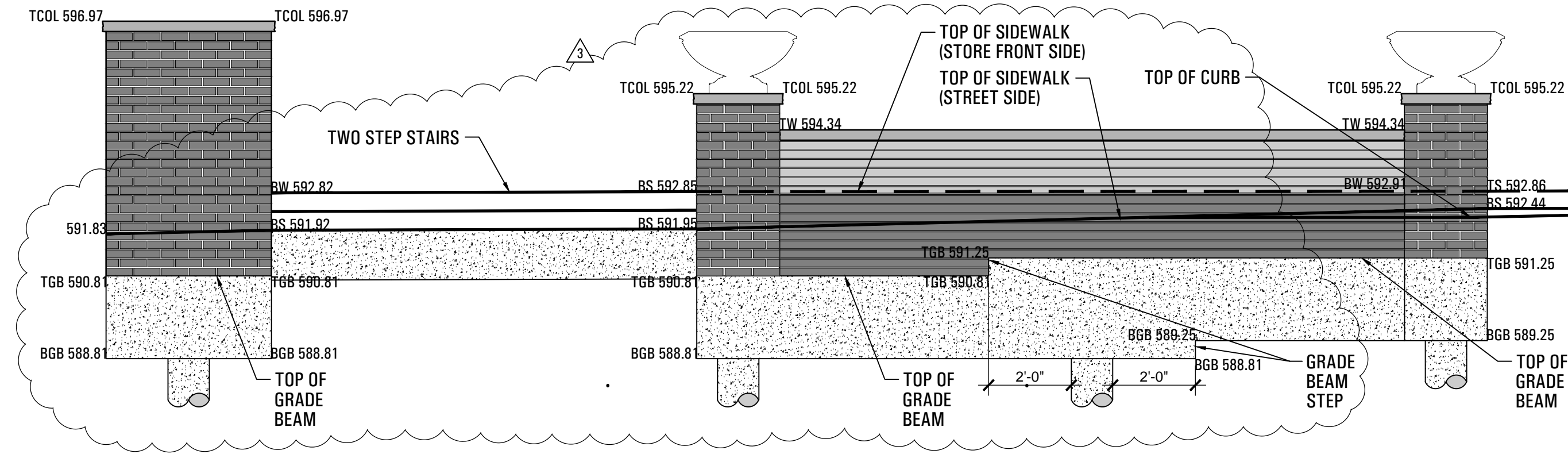
02.26.2014
sheet title

△ Site Details
sheet number

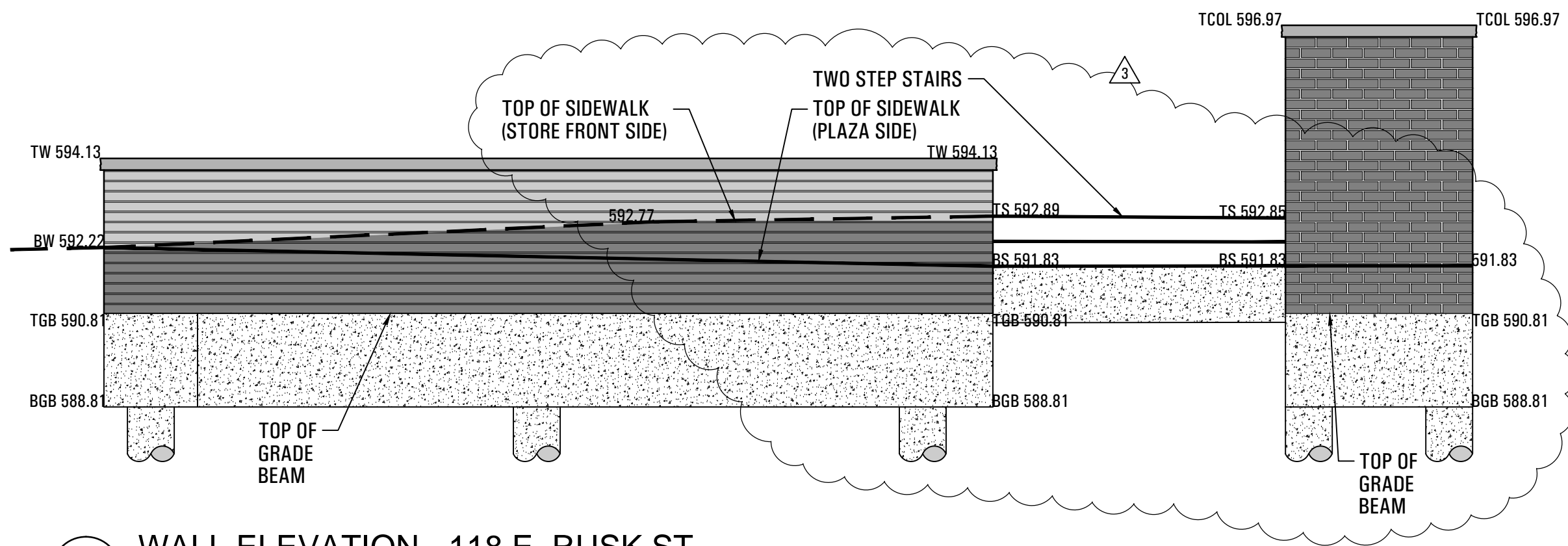
SD-10



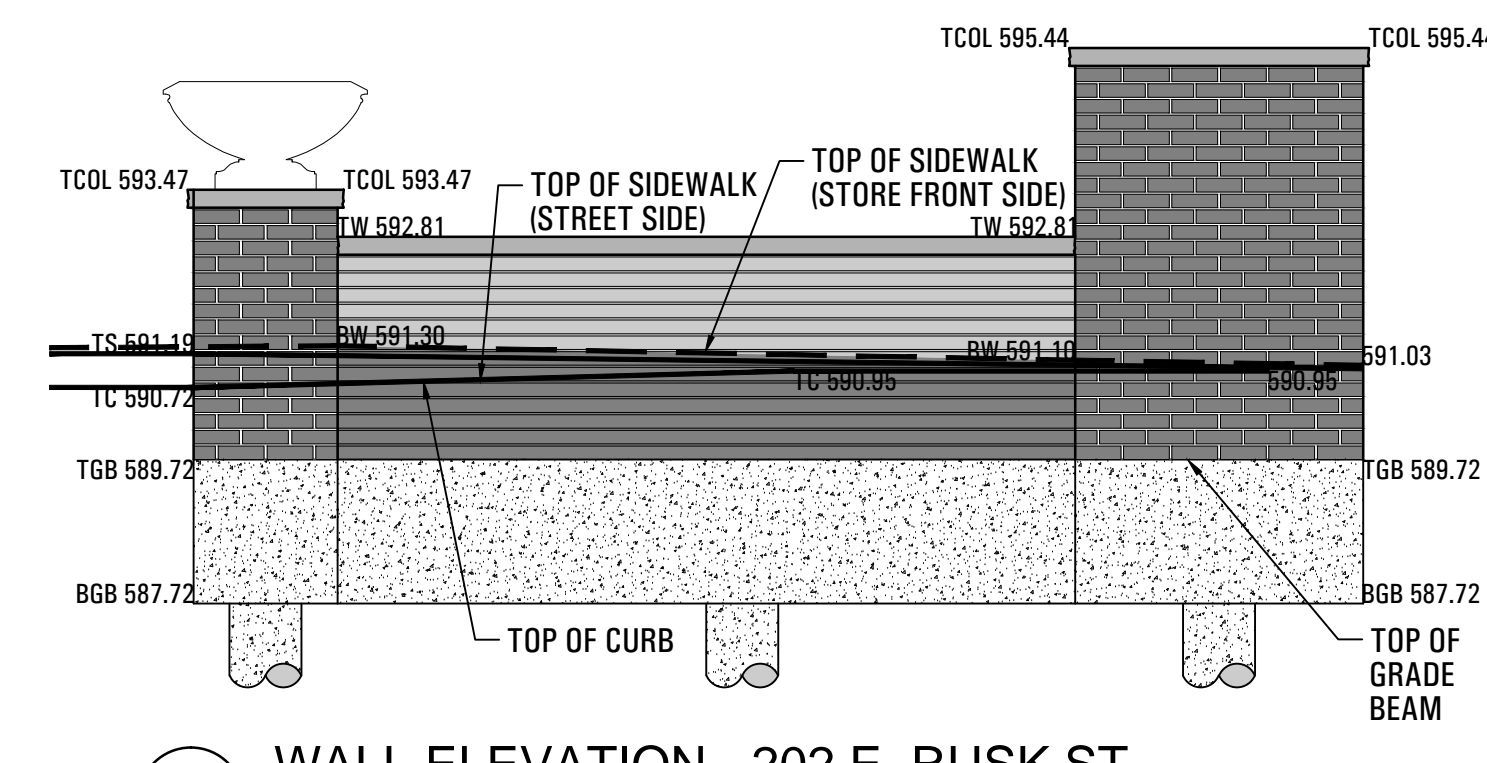
1 WALL ELEVATION - 114 E. RUSK ST.
SCALE: 3/8" = 1'-0"



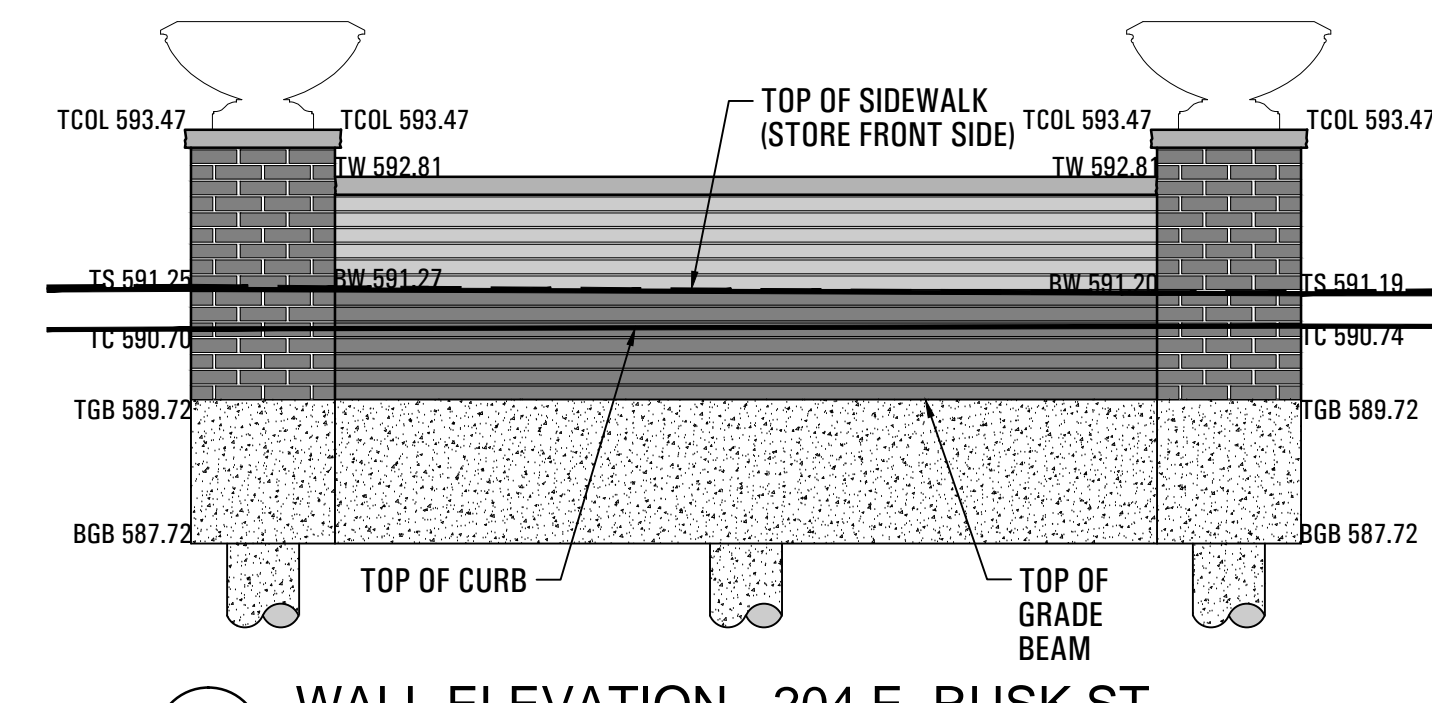
2 WALL ELEVATION - 116 E. RUSK ST.
SCALE: 3/8" = 1'-0"



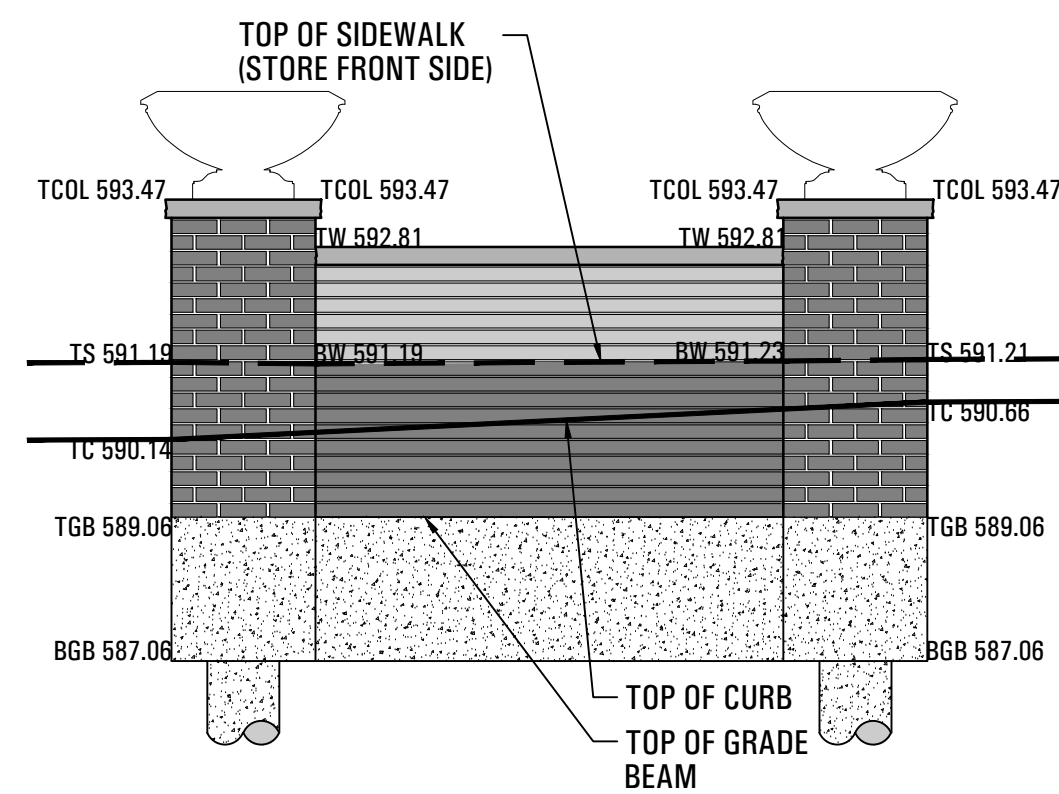
3 WALL ELEVATION - 118 E. RUSK ST.
SCALE: 3/8" = 1'-0"



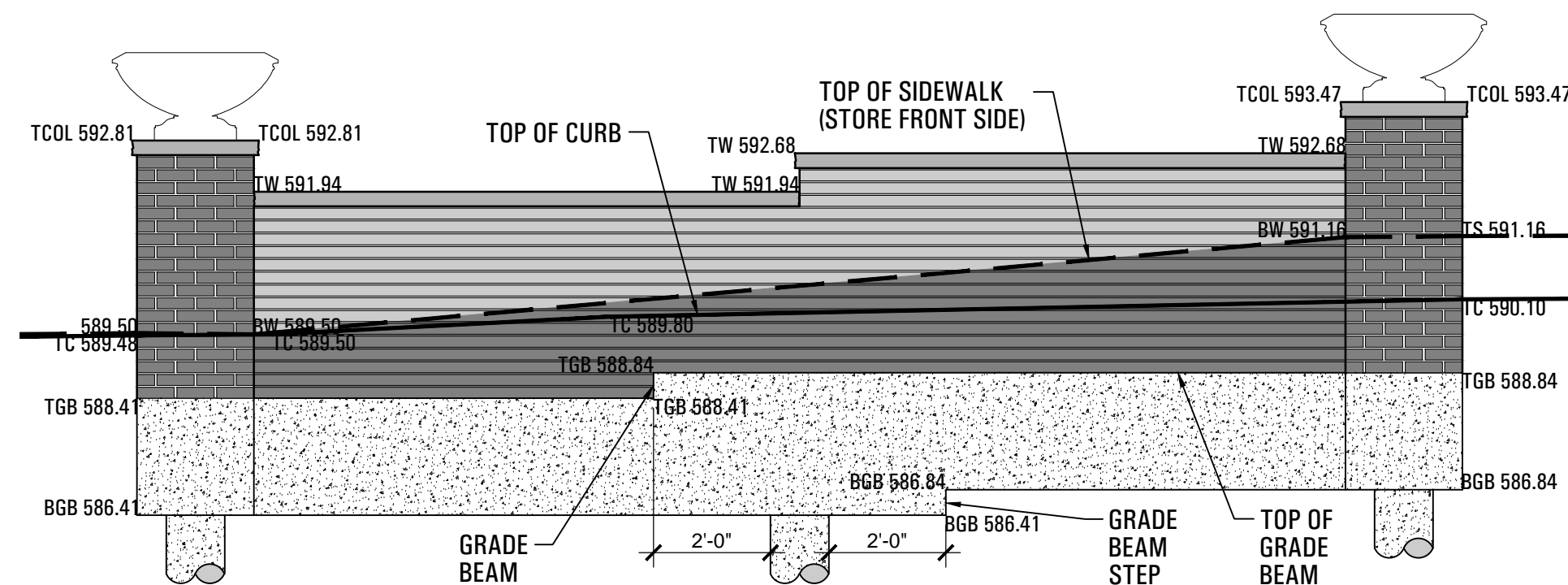
4 WALL ELEVATION - 202 E. RUSK ST.
SCALE: 3/8" = 1'-0"



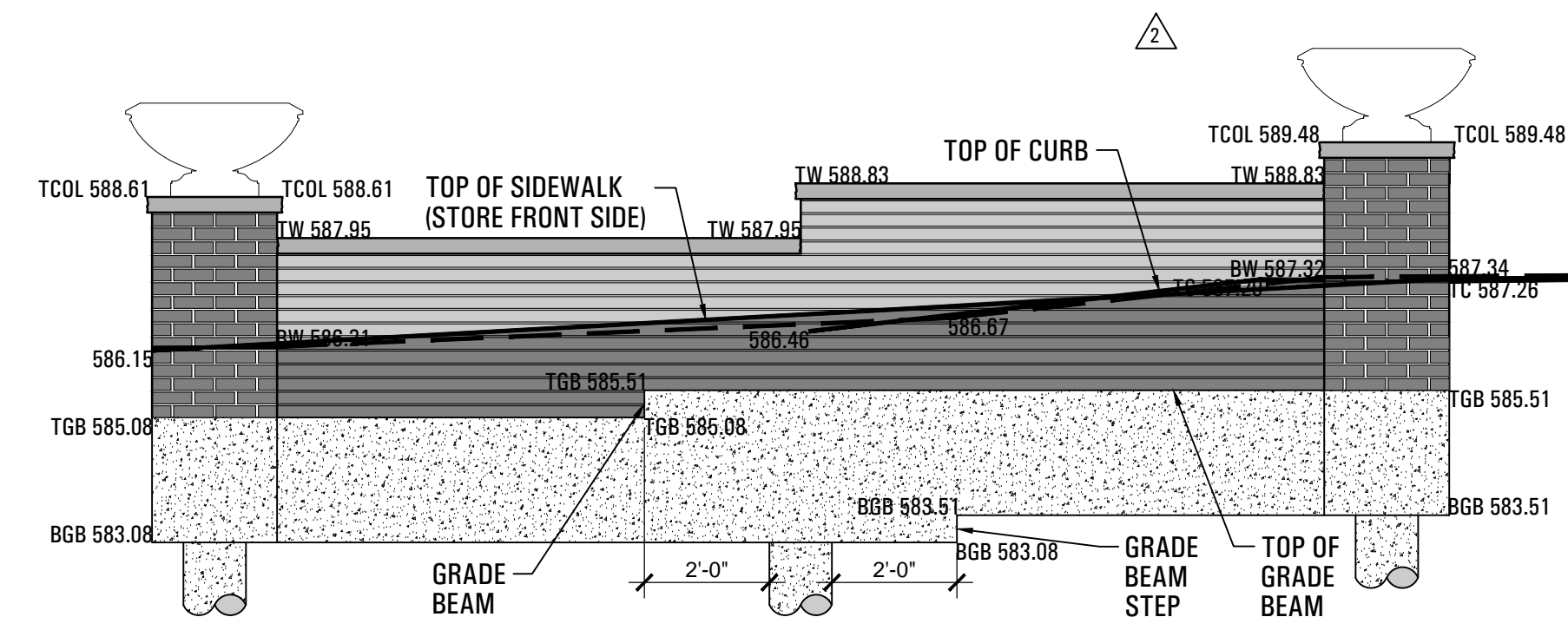
5 WALL ELEVATION - 204 E. RUSK ST.
SCALE: 3/8" = 1'-0"



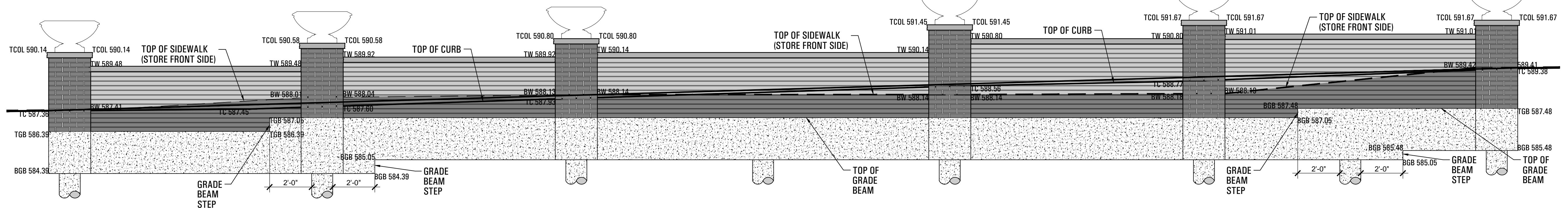
6 WALL ELEVATION - 206 E. RUSK ST.
SCALE: 3/8" = 1'-0"



7 WALL ELEVATION - 210 E. RUSK ST.
SCALE: 3/8" = 1'-0"



8 WALL ELEVATION - 218 E. RUSK ST.
SCALE: 3/8" = 1'-0"



9 WALL ELEVATION - 212-216 E. RUSK ST.
SCALE: 3/8" = 1'-0"