



submittals / revisions

no.	date	detail
▲	04/24/14	RFI #79
▲	05/08/14	RFI #38
▲	07/18/14	RFI #105
▲	08/12/14	RFI #117
▲	08/12/14	LASI #11
▲	09/16/14	LASI #121, #125
▲	09/26/14	LASI #131
▲	10/09/14	RFI #130

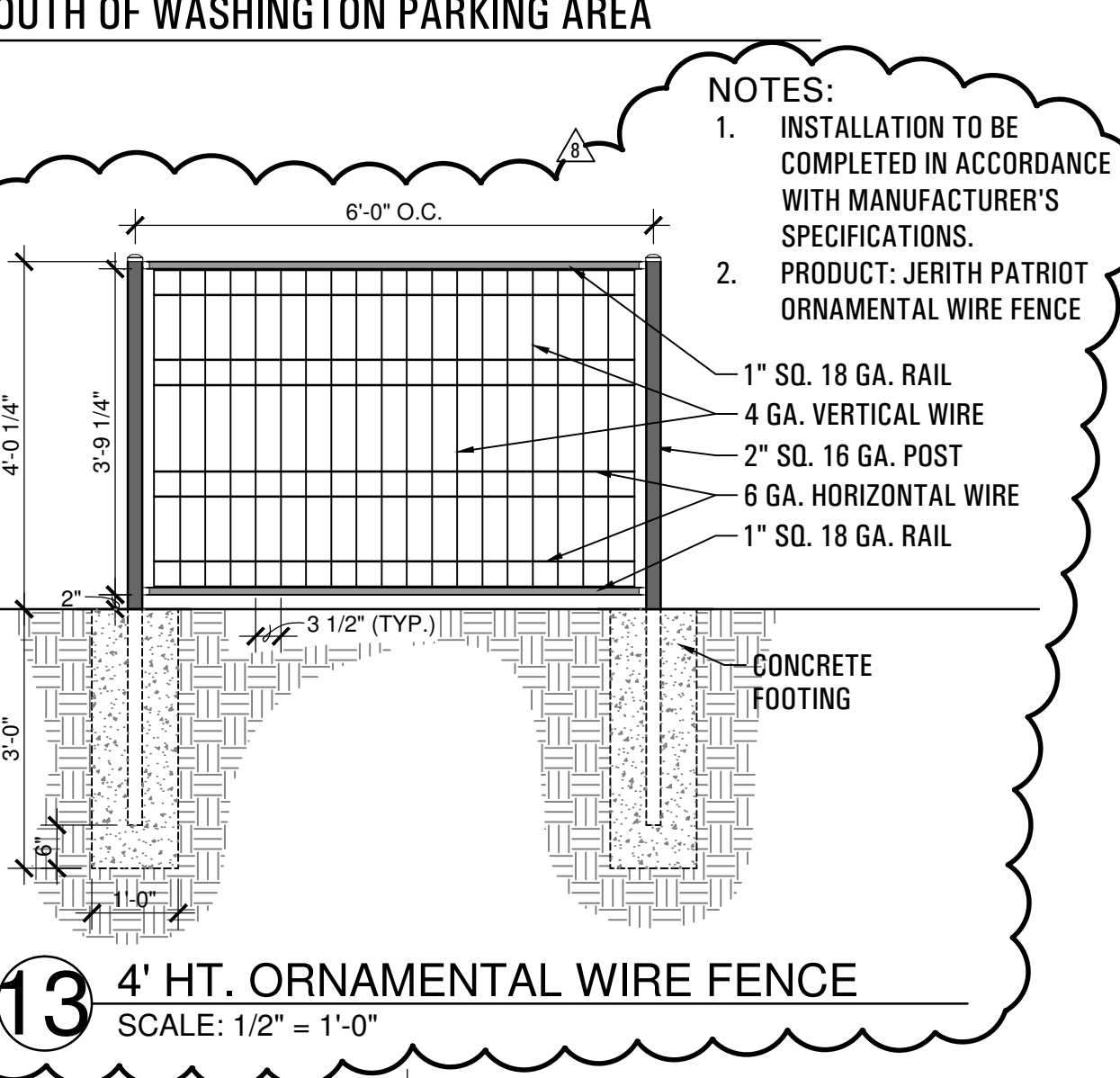
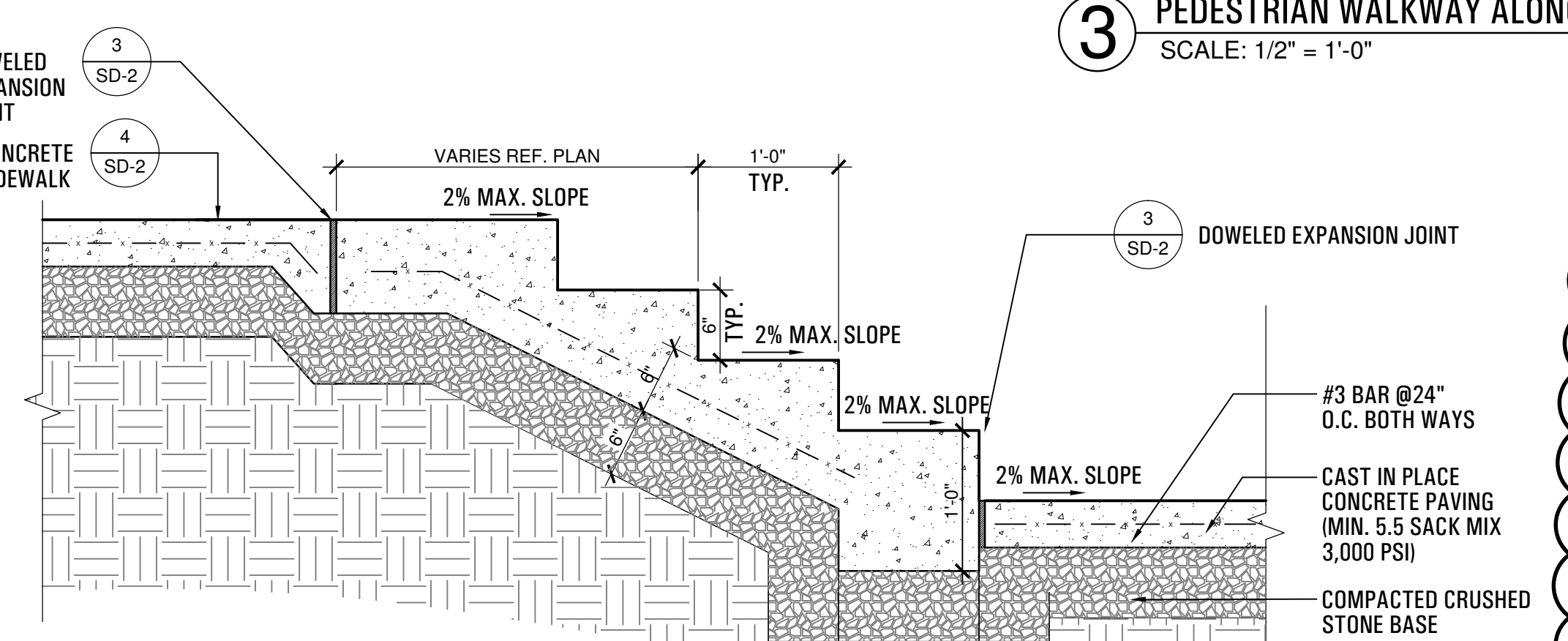
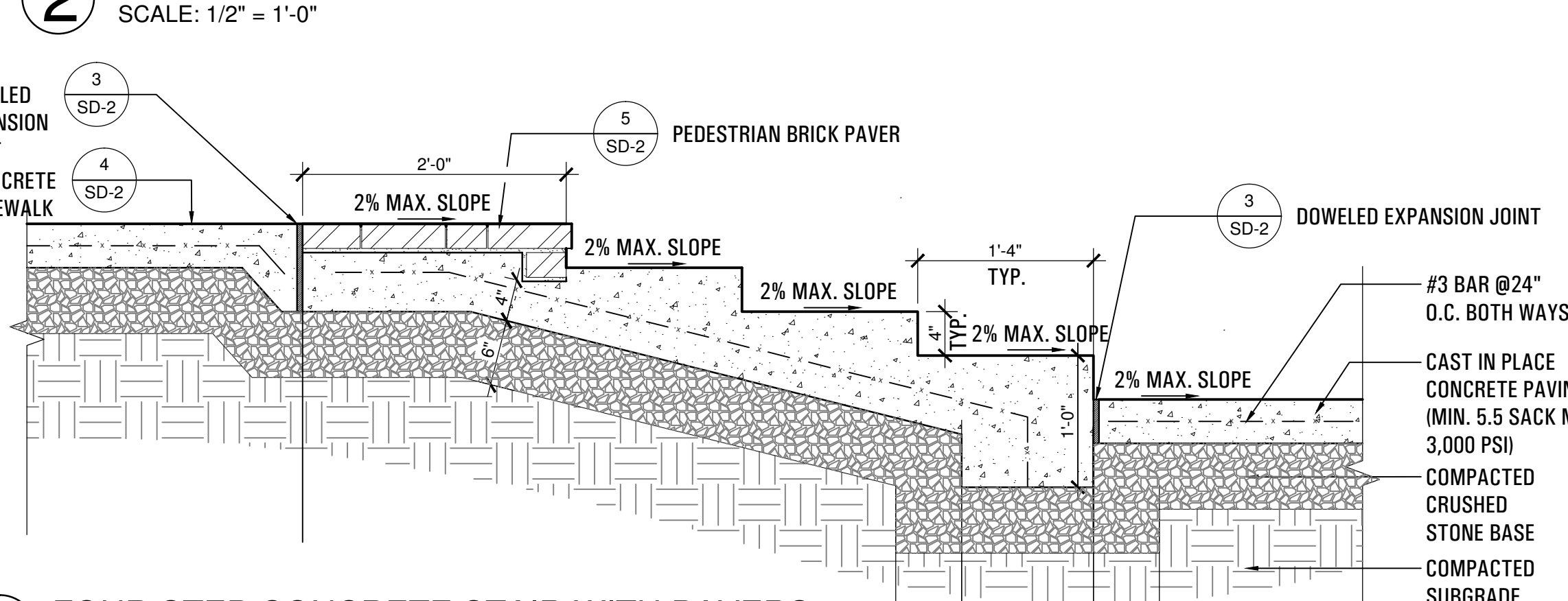
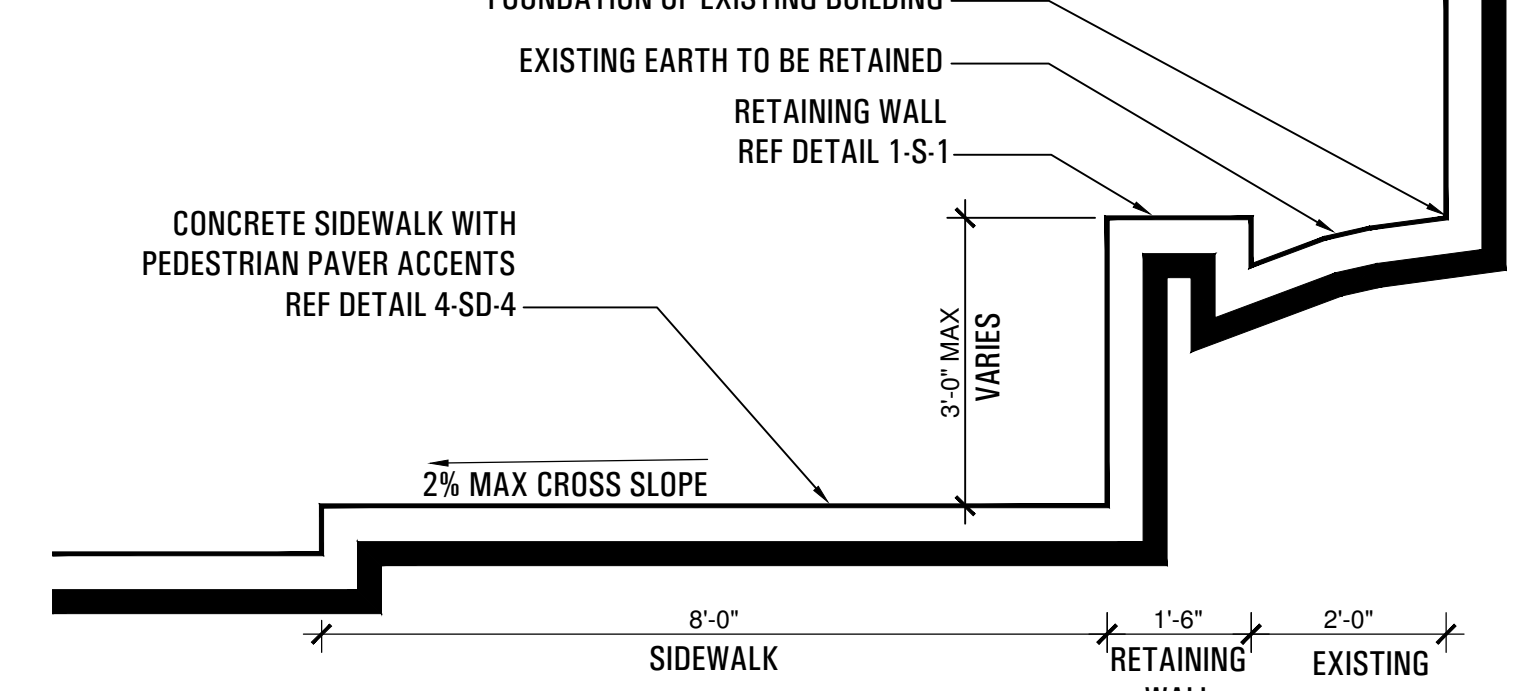
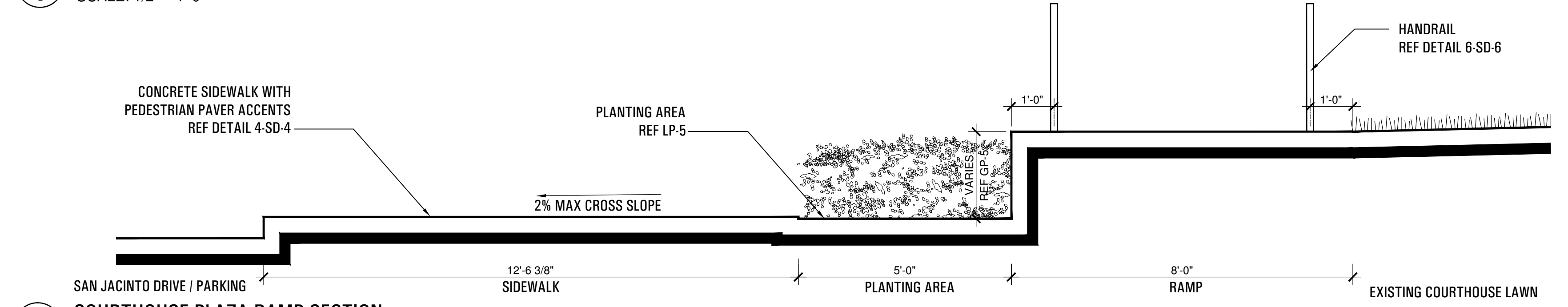
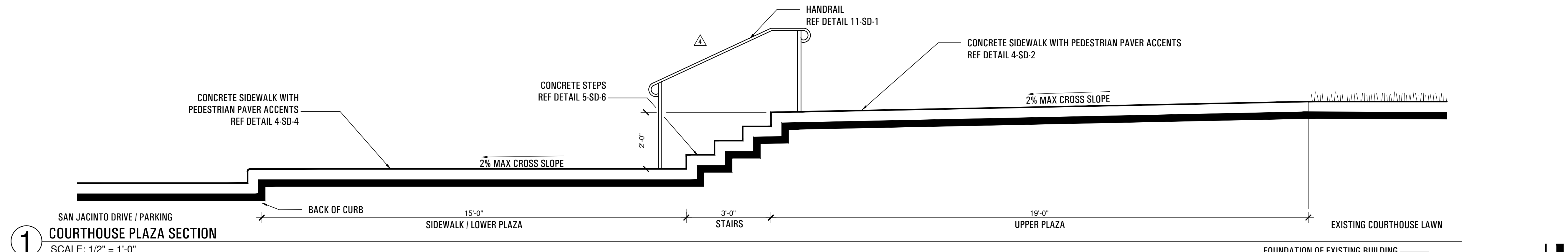
la terra studio, inc.

12024
 its project number
 02.26.2014
 date
 rac; bhm
 drawn by
 mtb
 checked by



Site Details
 sheet number
SD-6

© 2013 la terra studio, inc. All Rights Reserved FILE:P:\12024-Downtown Rockwall PS&E - Rockwall\CAD\Sheet\12024-Site Details_6.dwg



- NOTES:**
1. INSTALLATION TO BE COMPLETED IN ACCORDANCE WITH MANUFACTURER'S SPECIFICATIONS. PRODUCT: JERITH PATRIOT ORNAMENTAL WIRE FENCE
 2. PRODUCT: JERITH PATRIOT ORNAMENTAL WIRE FENCE

