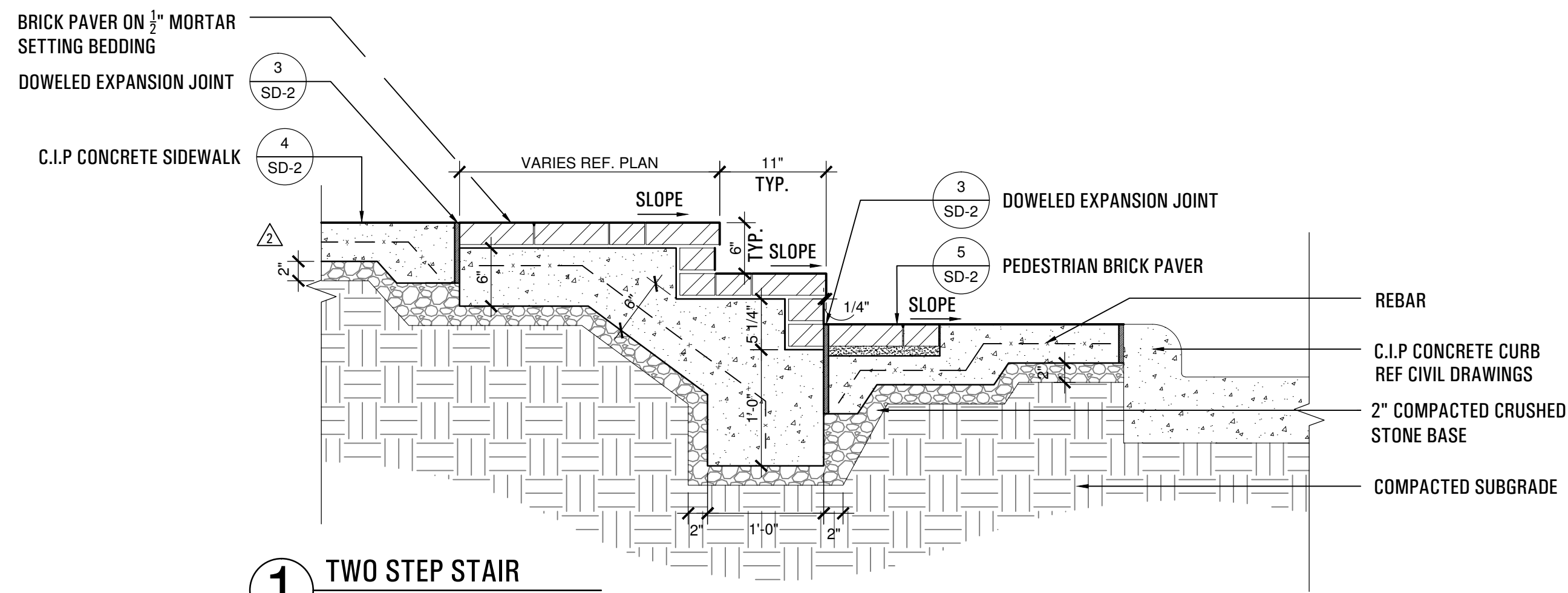
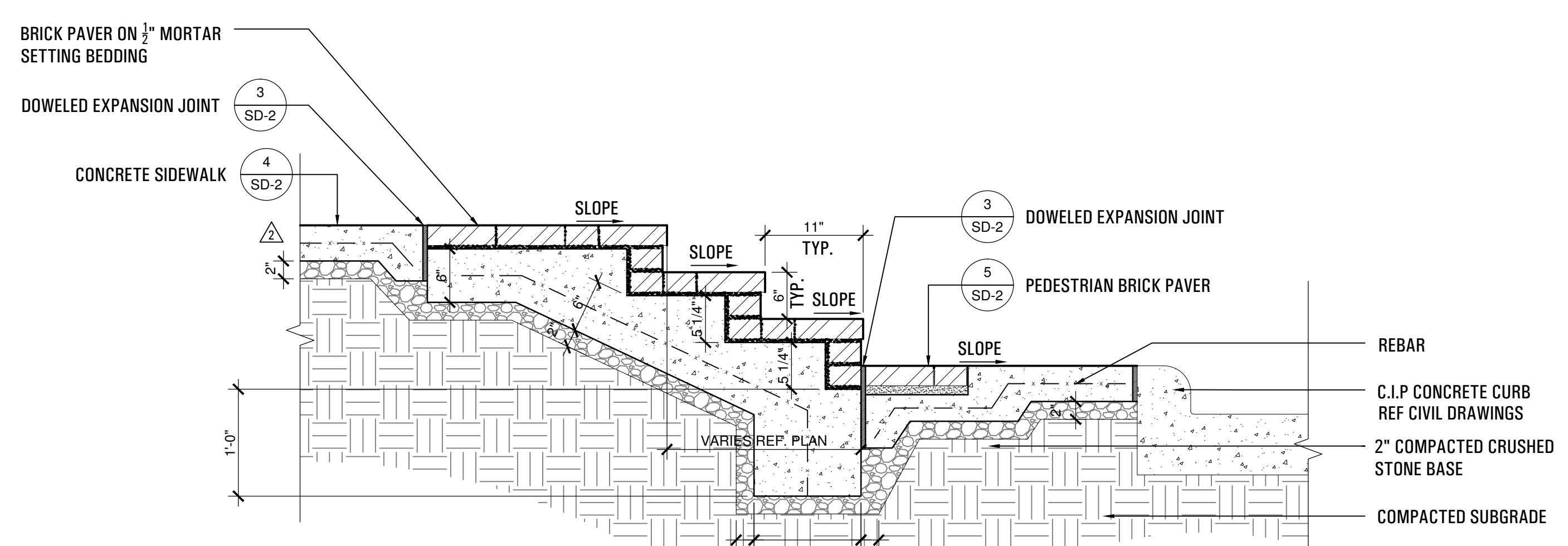


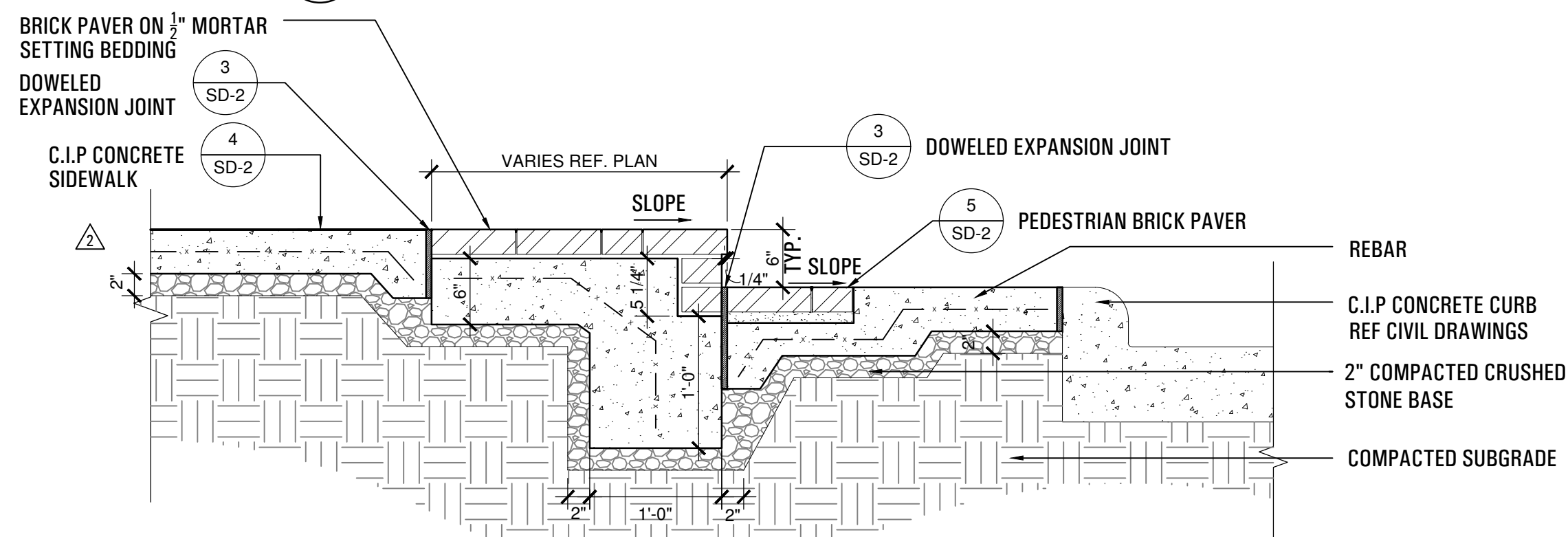
© 2013 la terra studio, inc. All Rights Reserved FILE: P:\12024-Downtown Rockwall PS&E - Rockwall\CAD\Sheet\12024-Strt Details\_4.dwg



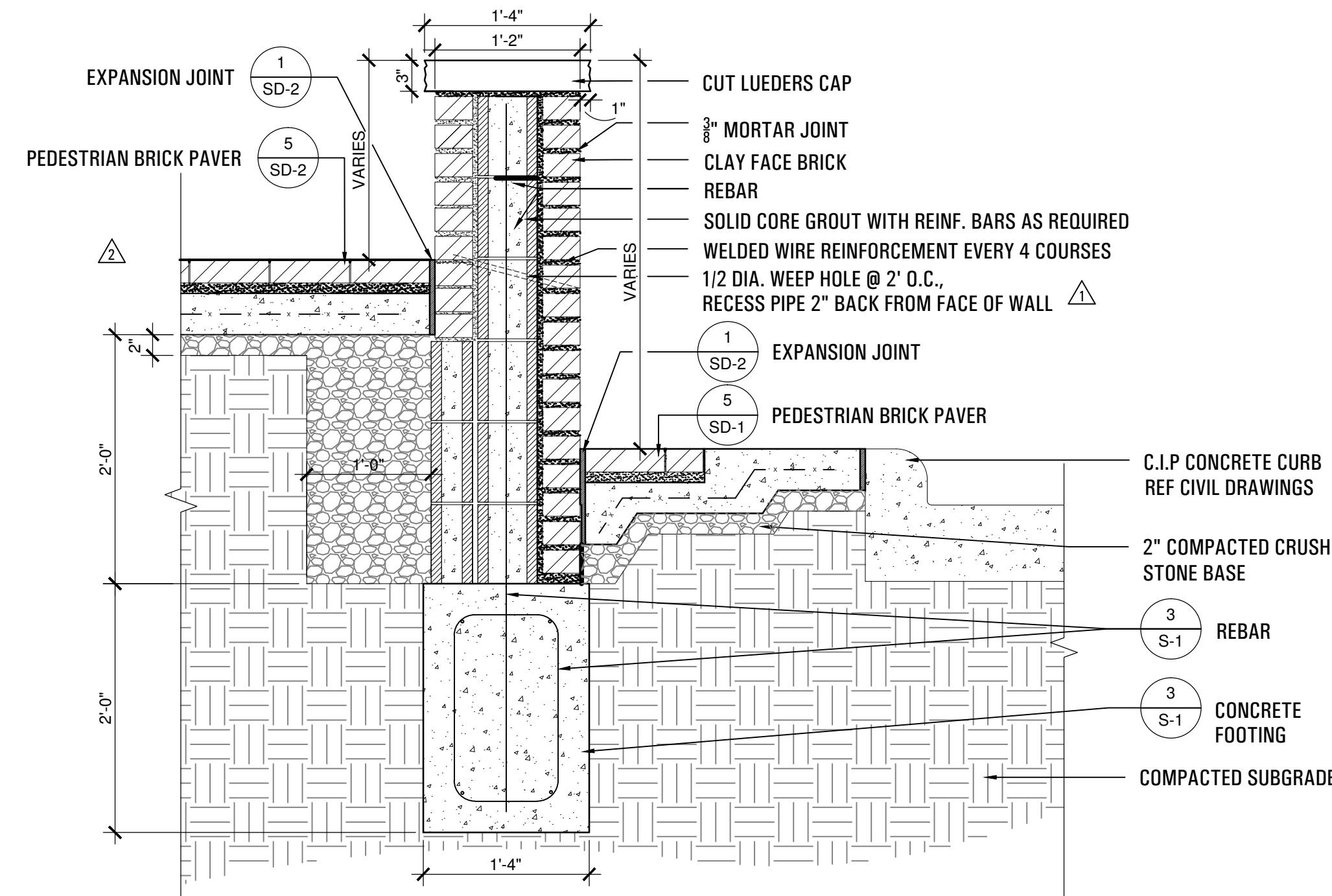
**1 TWO STEP STAIR**  
SCALE: 1" = 1'-0"



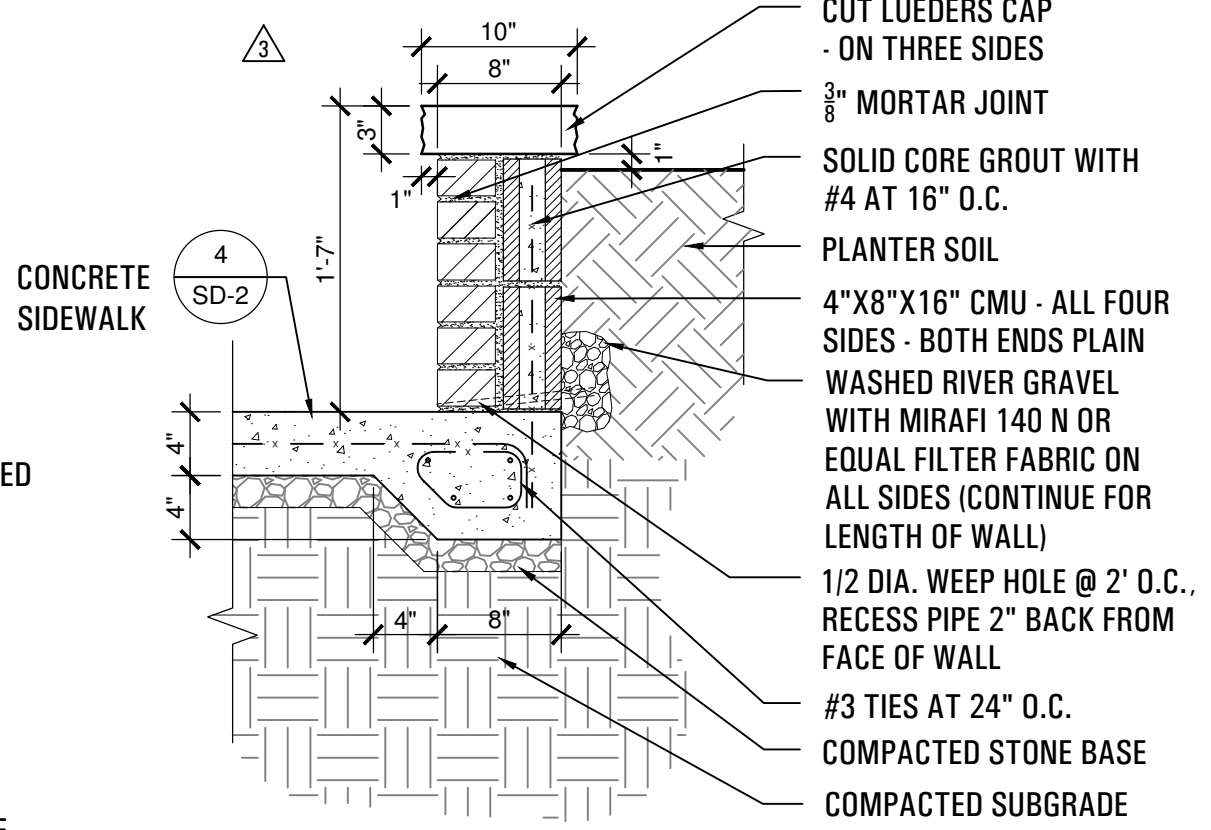
**2 THREE STEP STAIR**  
SCALE: 1" = 1'-0"



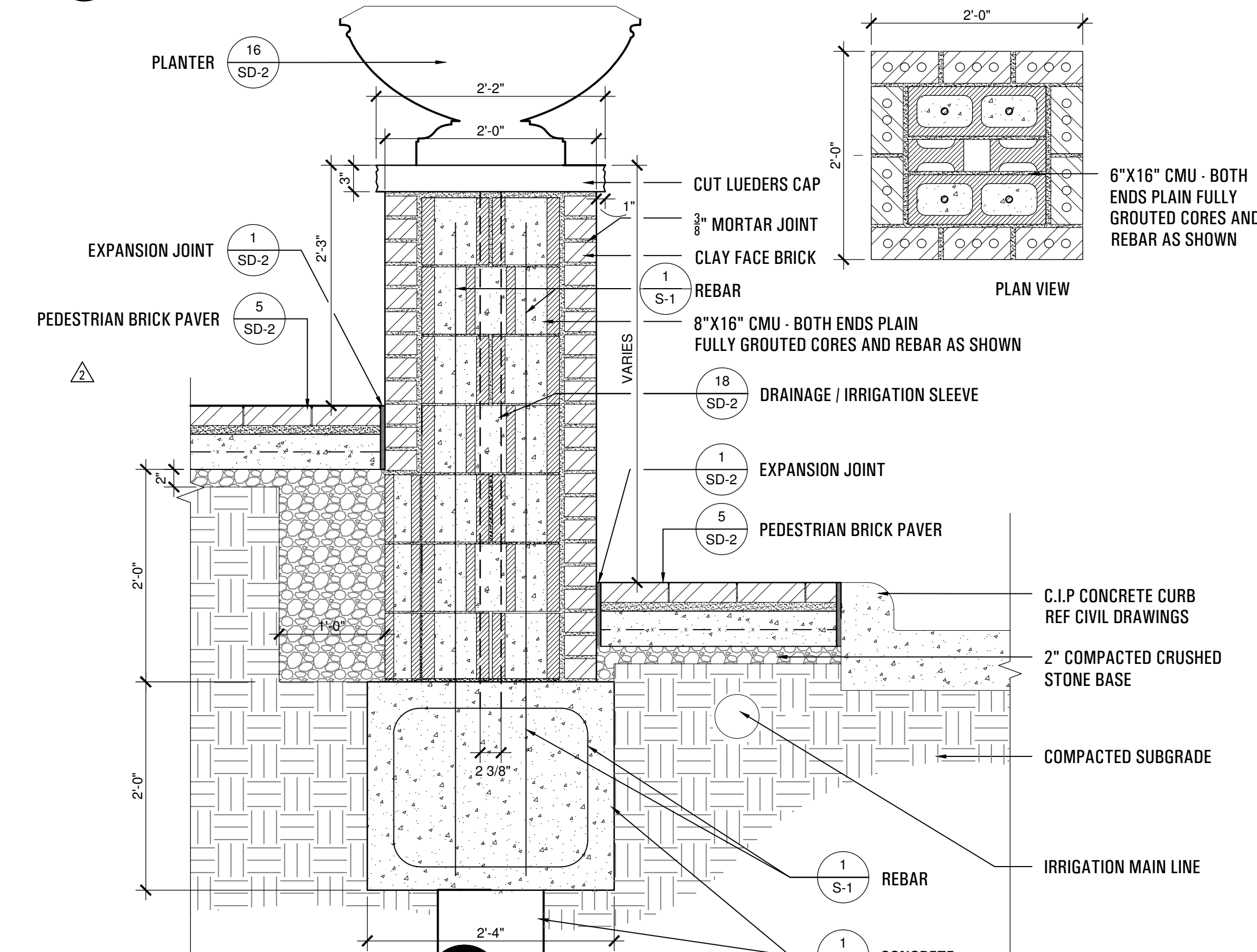
**3 ONE STEP STAIR**  
SCALE: 1" = 1'-0"



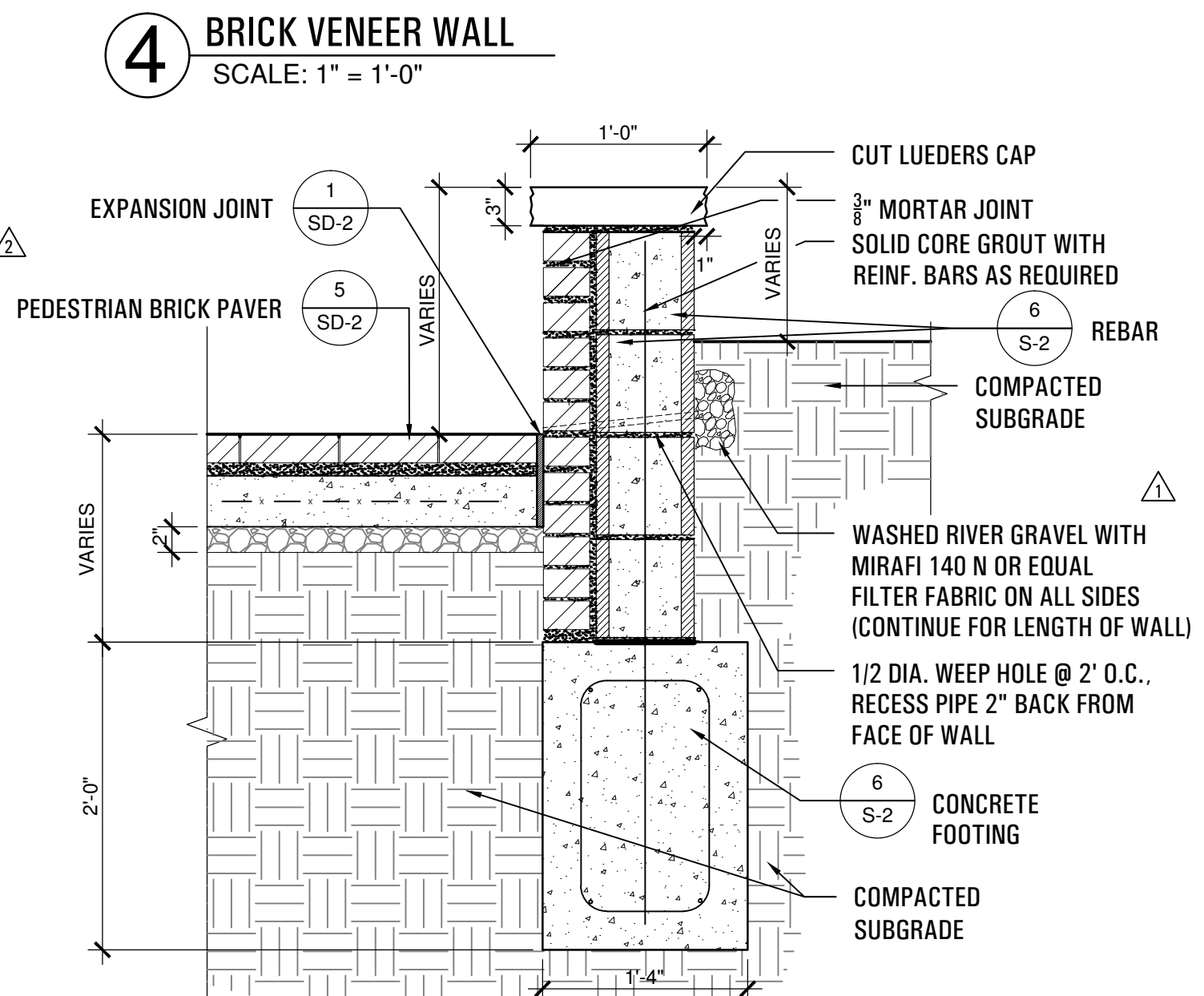
**4 BRICK VENEER WALL**  
SCALE: 1" = 1'-0"



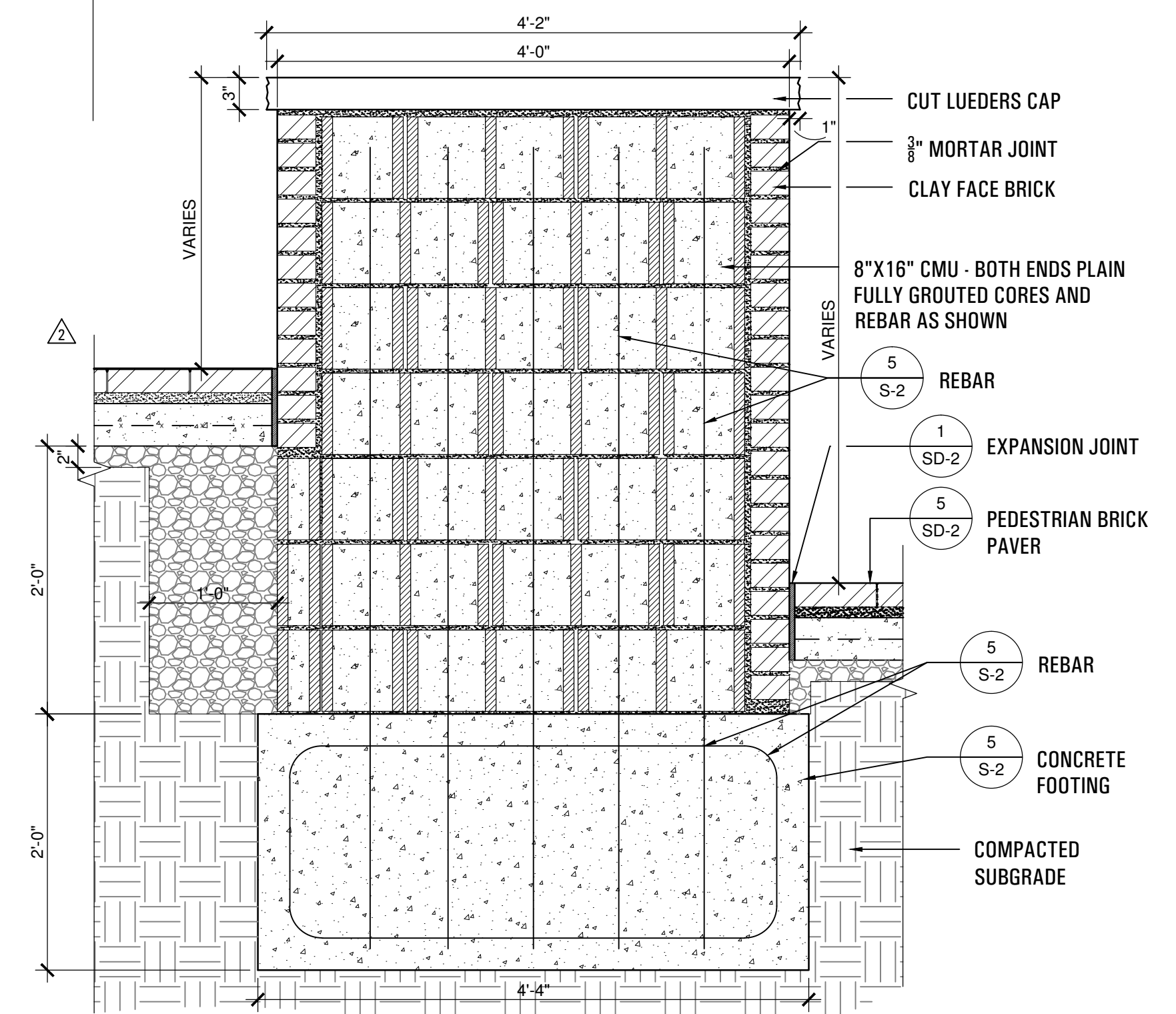
**8 GOLIAD STREET BRICK VENEER PLANTER WALLS**  
SCALE: 1" = 1'-0"



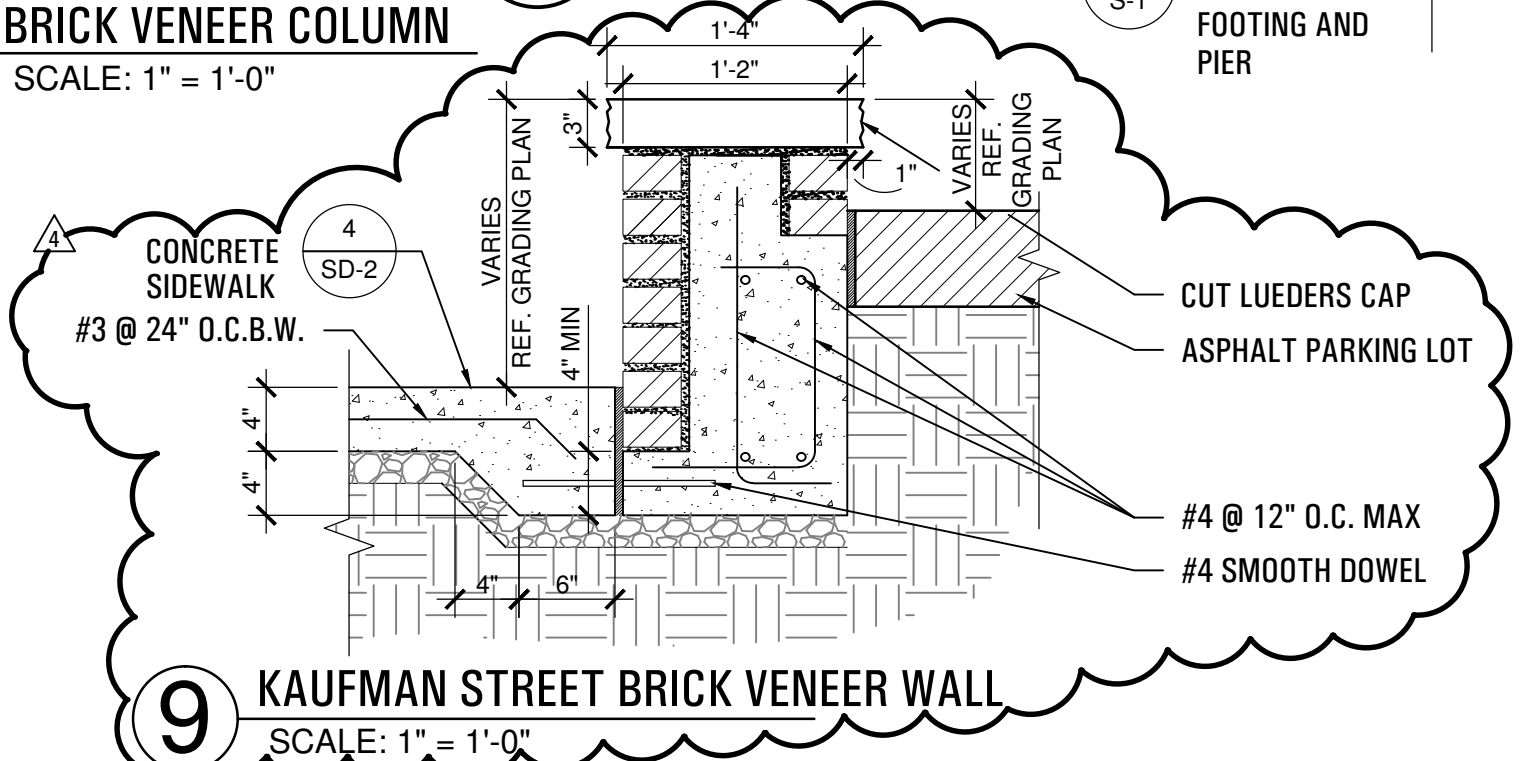
**5 BRICK VENEER COLUMN**  
SCALE: 1" = 1'-0"



**6 BRICK VENEER PLANTER WALL**  
SCALE: 1" = 1'-0"



**7 LARGE BRICK VENEER COLUMN**  
SCALE: 1" = 1'-0"



**9 KAUFMAN STREET BRICK VENEER WALL**  
SCALE: 1" = 1'-0"

submittals / revisions

no.	date	detail
1	03/20/14	RFI #4
2	04/10/14	RFI #53
3	07/14/14	RFI #100
4	09/10/14	RFI #124

la terra studio, inc.  
12024  
its project number  
02.26.2014  
date  
rac; bhm  
drawn by  
mtb  
checked by

