



submittals / revisions

no.	date	detail
△	04/24/14	RFI #79
△	05/08/14	RFI #38
△	07/18/14	RFI #105
△	08/12/14	RFI #117
△	08/12/14	LASI #11
△	09/16/14	LASI #121, #125

la terra studio, inc.

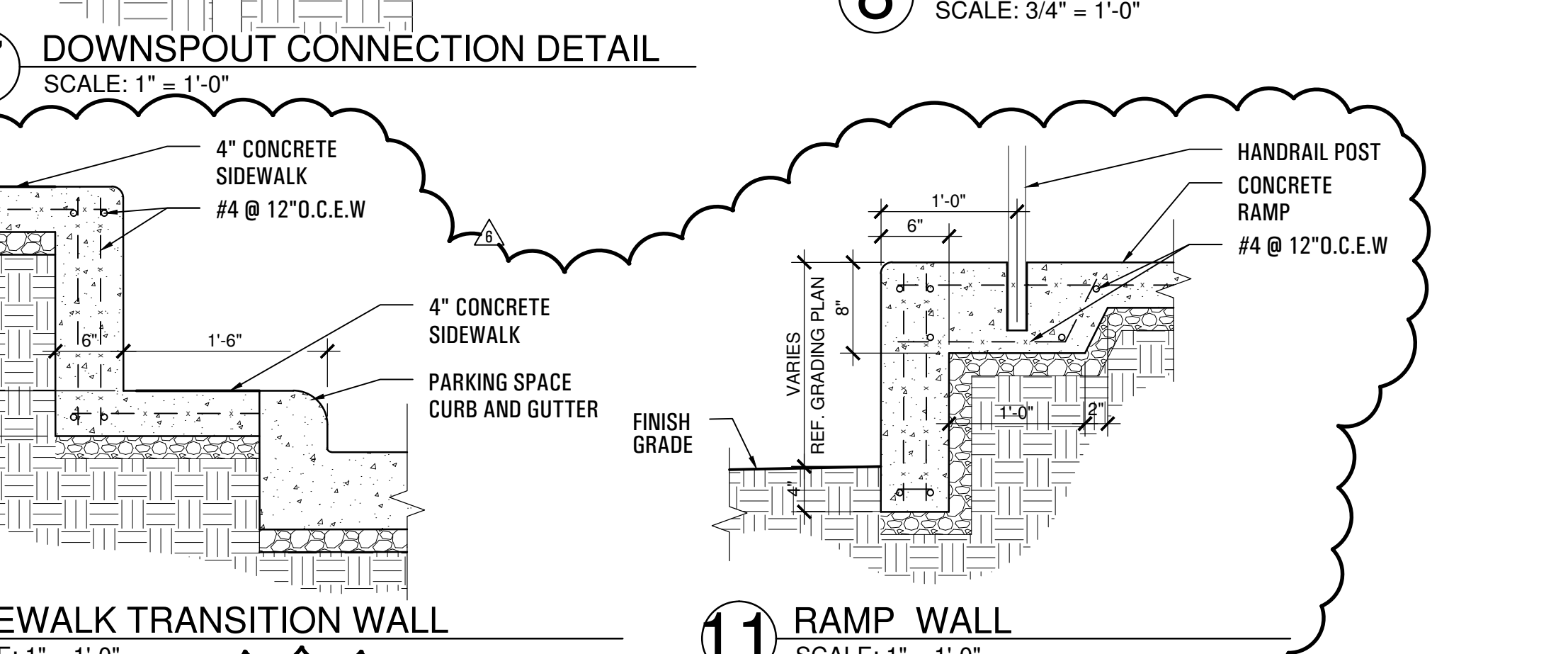
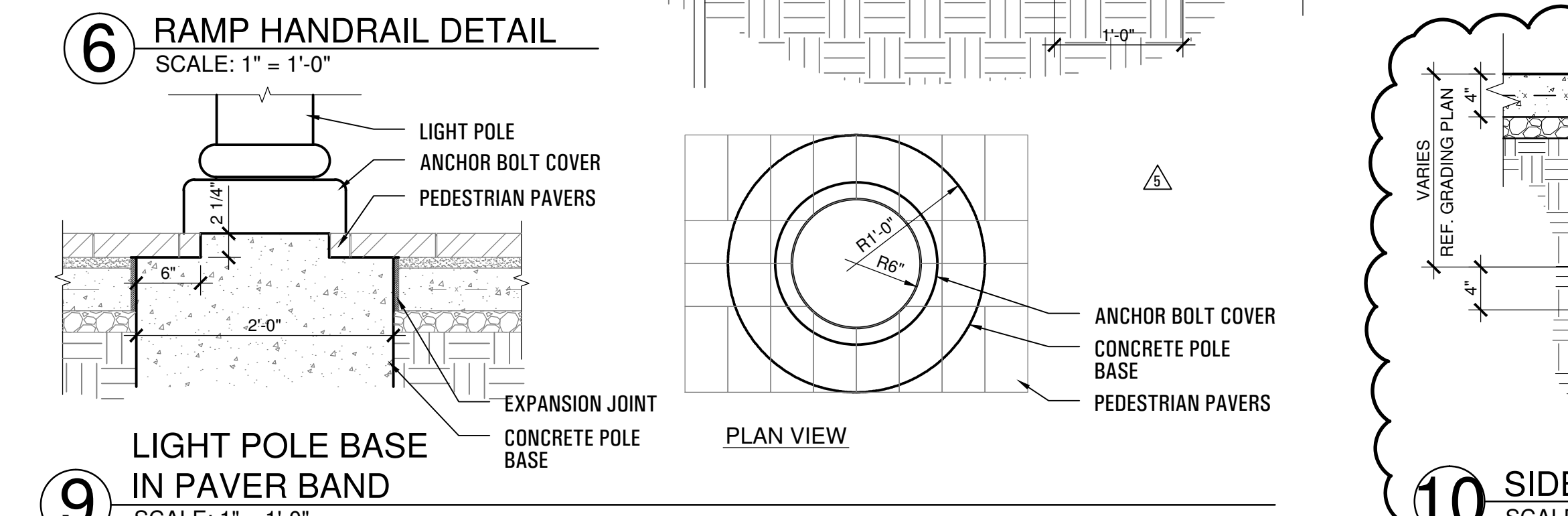
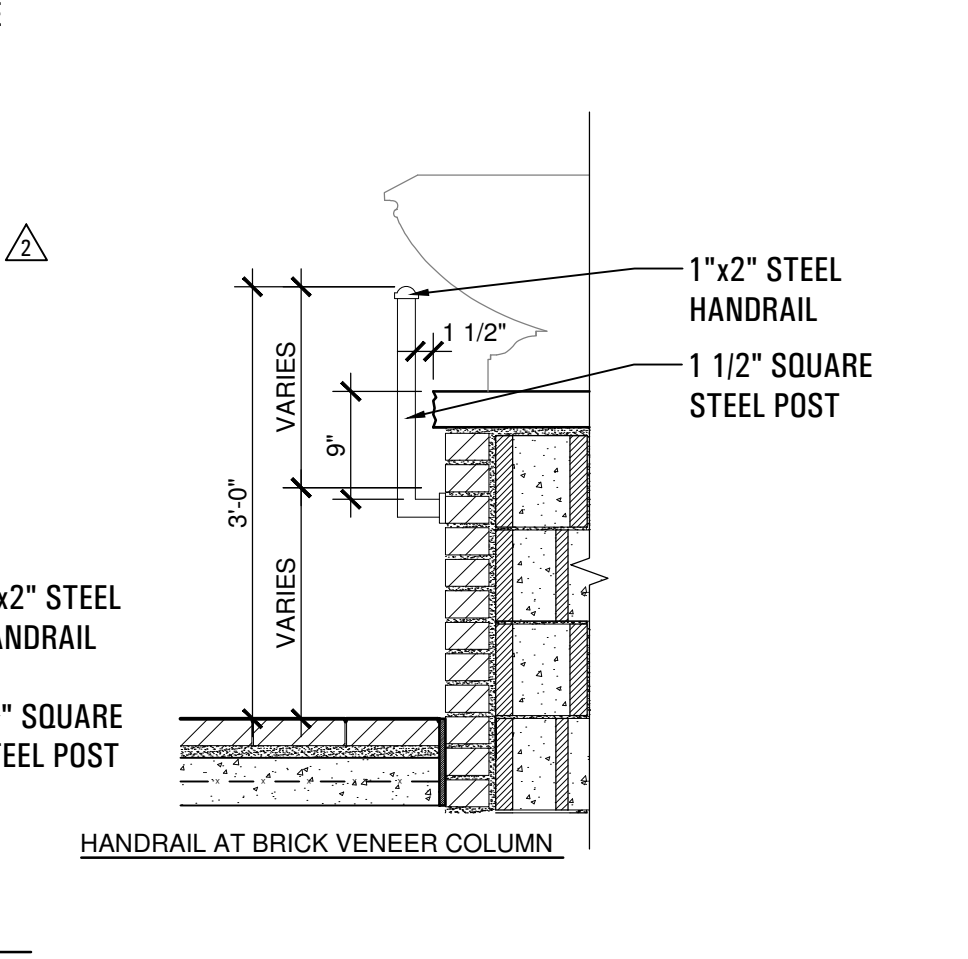
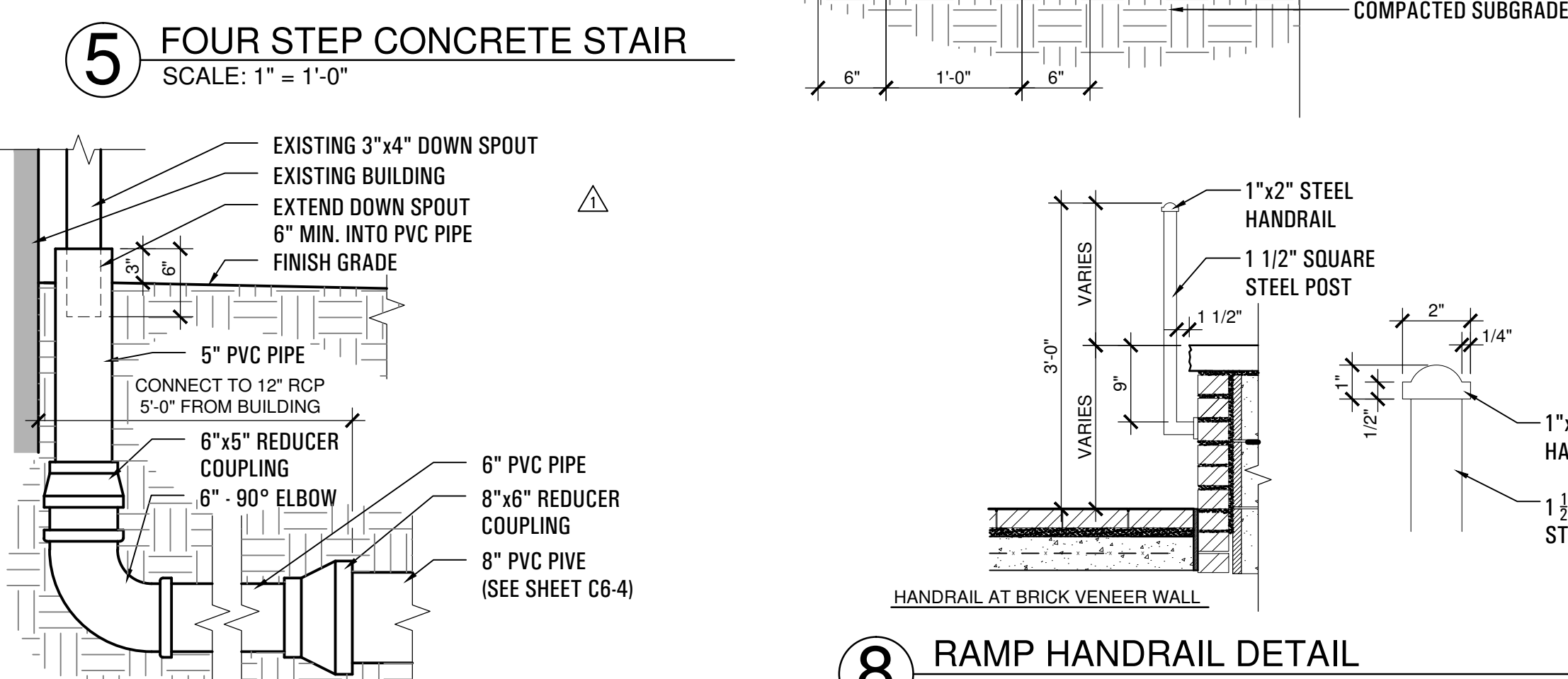
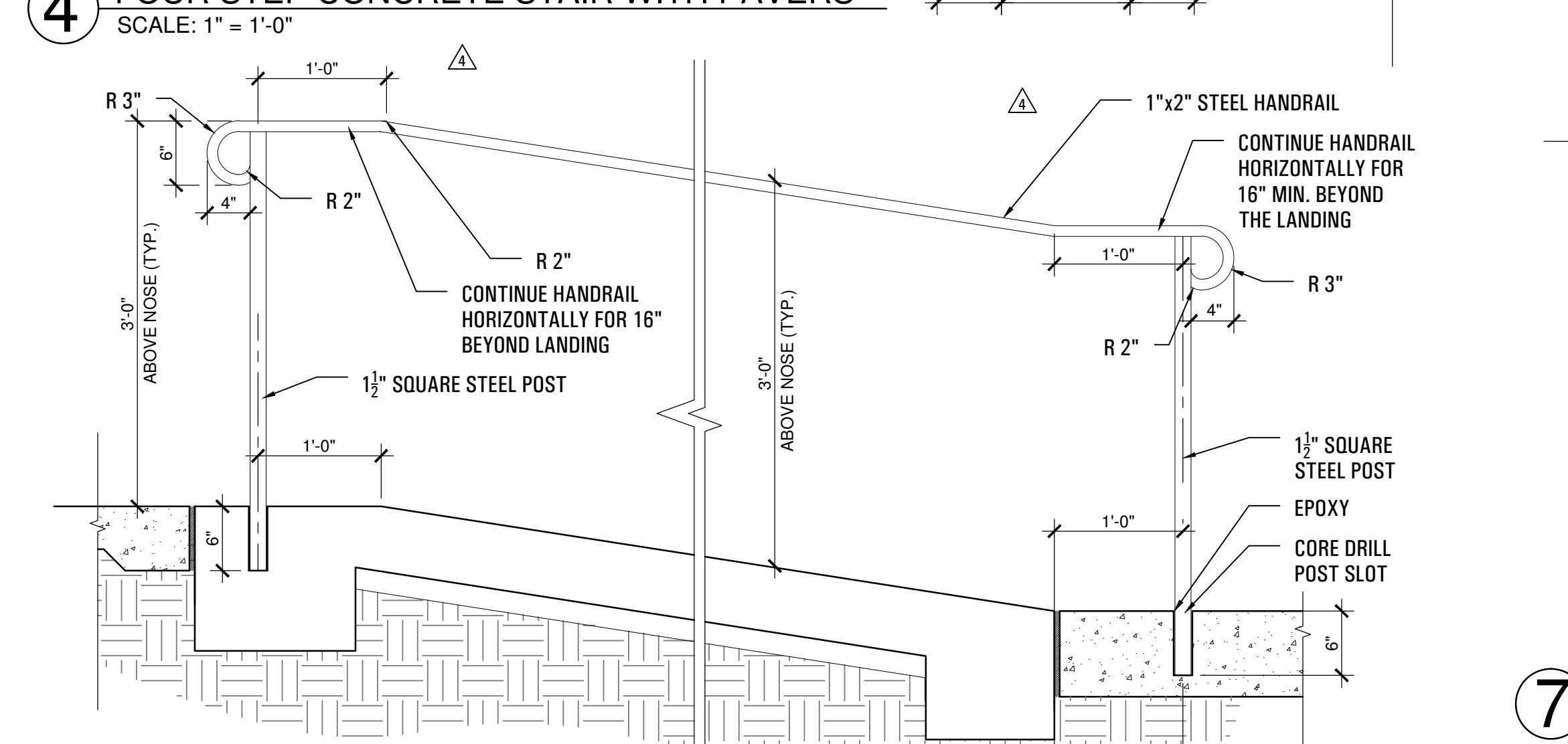
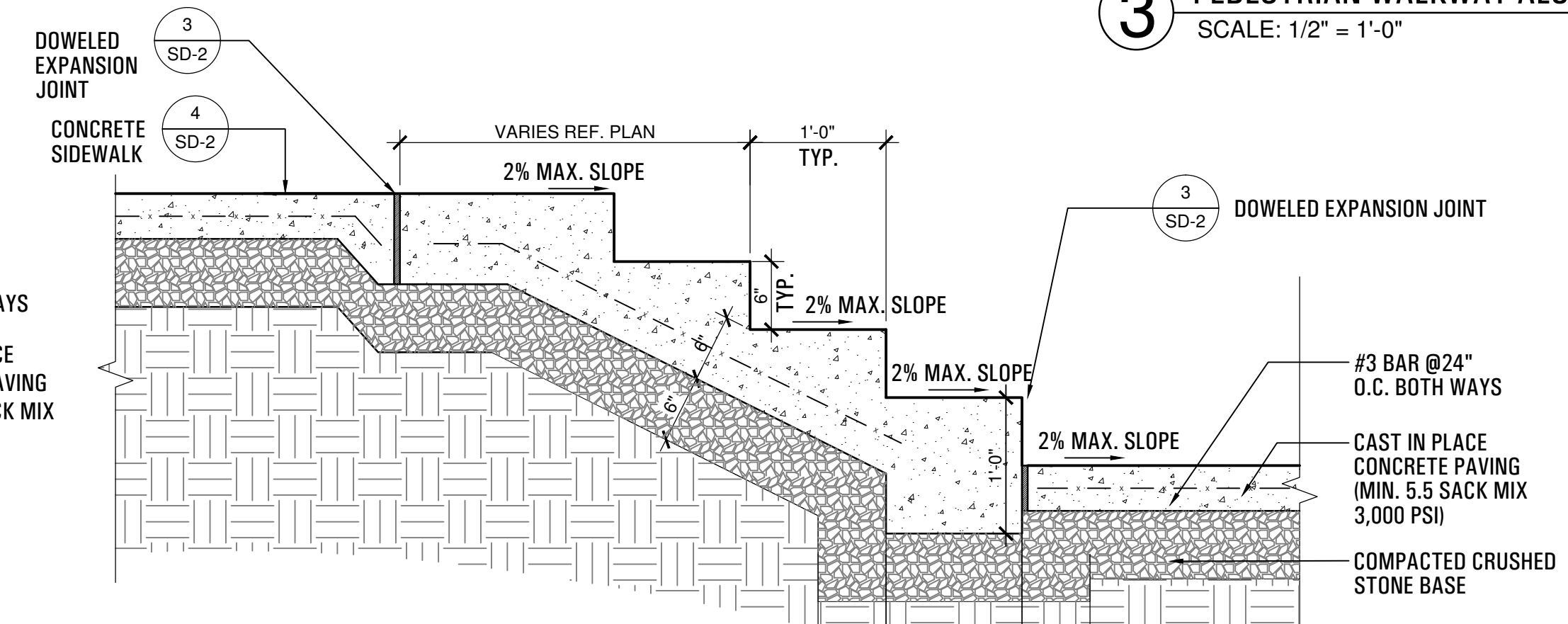
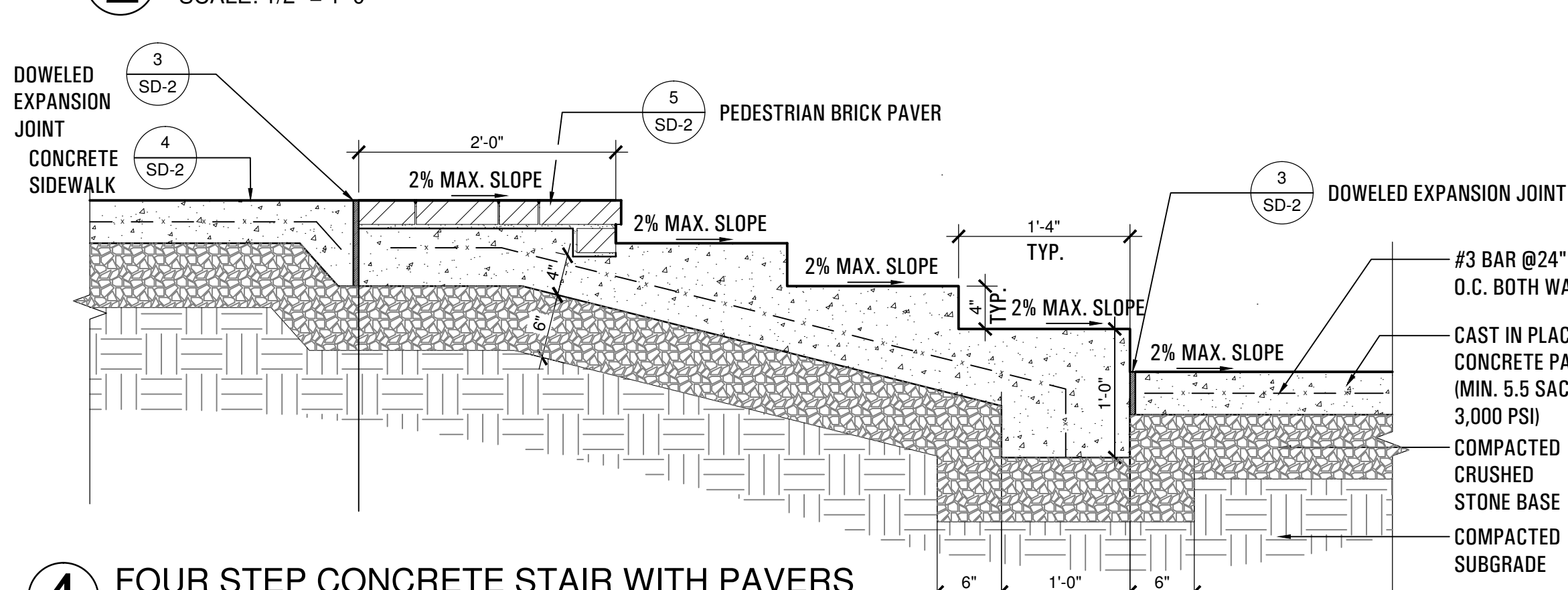
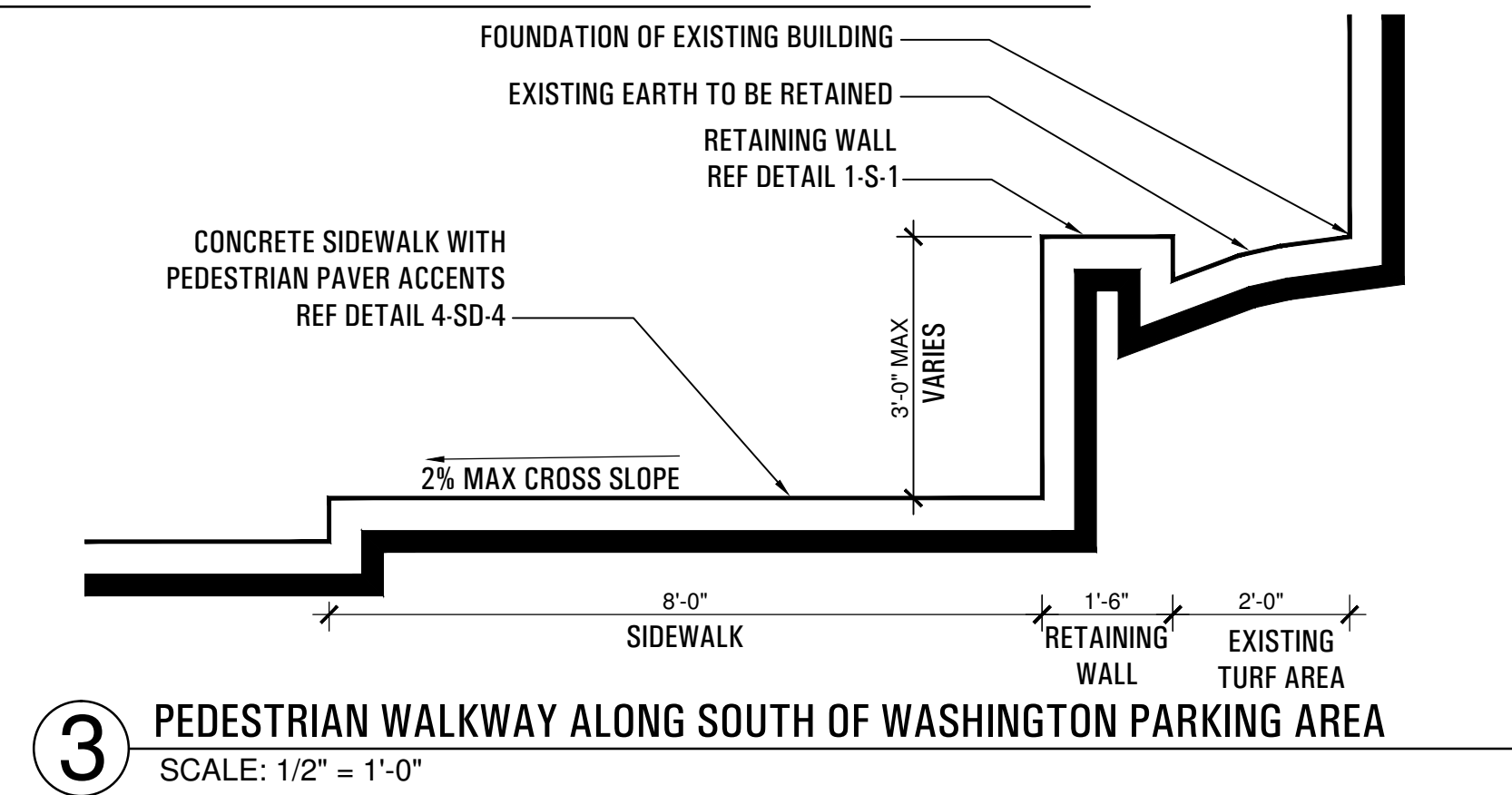
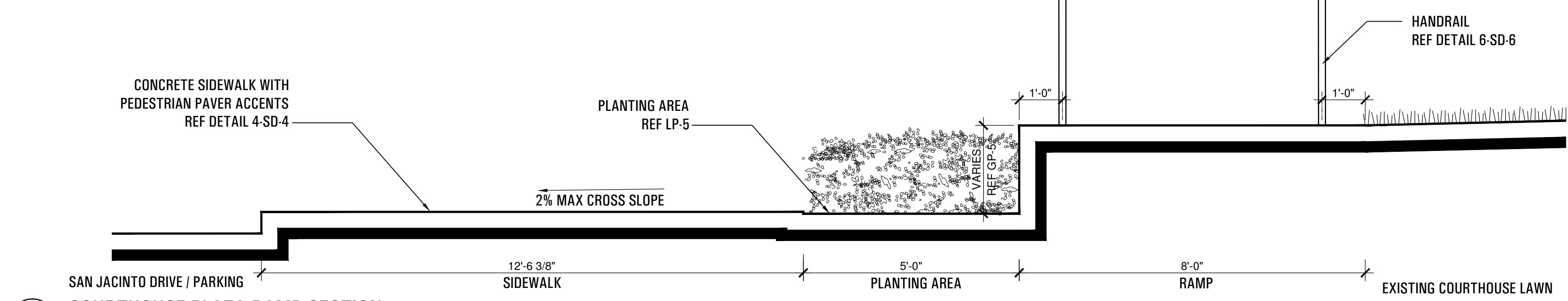
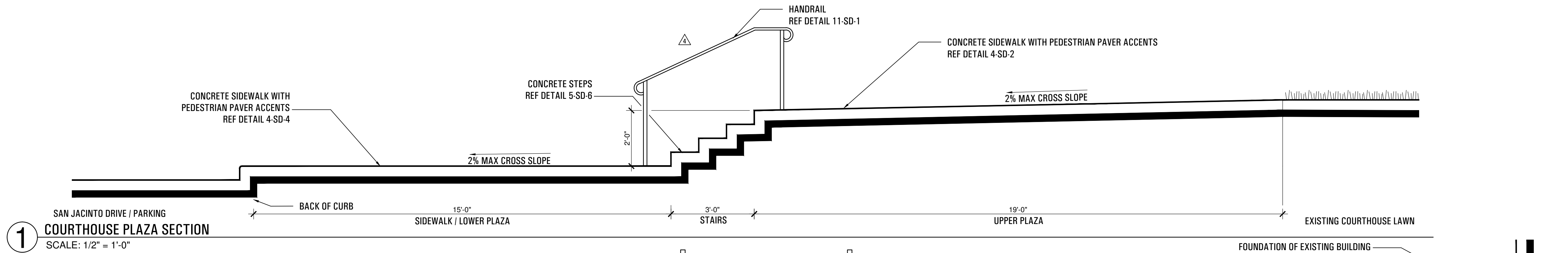
12024  
 its project number  
 02.26.2014  
 date  
 rac; bhm  
 drawn by  
 mtb  
 checked by

registration



Site Details  
 sheet number

**SD-6**



© 2013 la terra studio, inc. All Rights Reserved FILE:P:\12024-Downtown Rockwall PS&E - Rockwall\CAD\ISHEET\12024-Site Details\_6.dwg