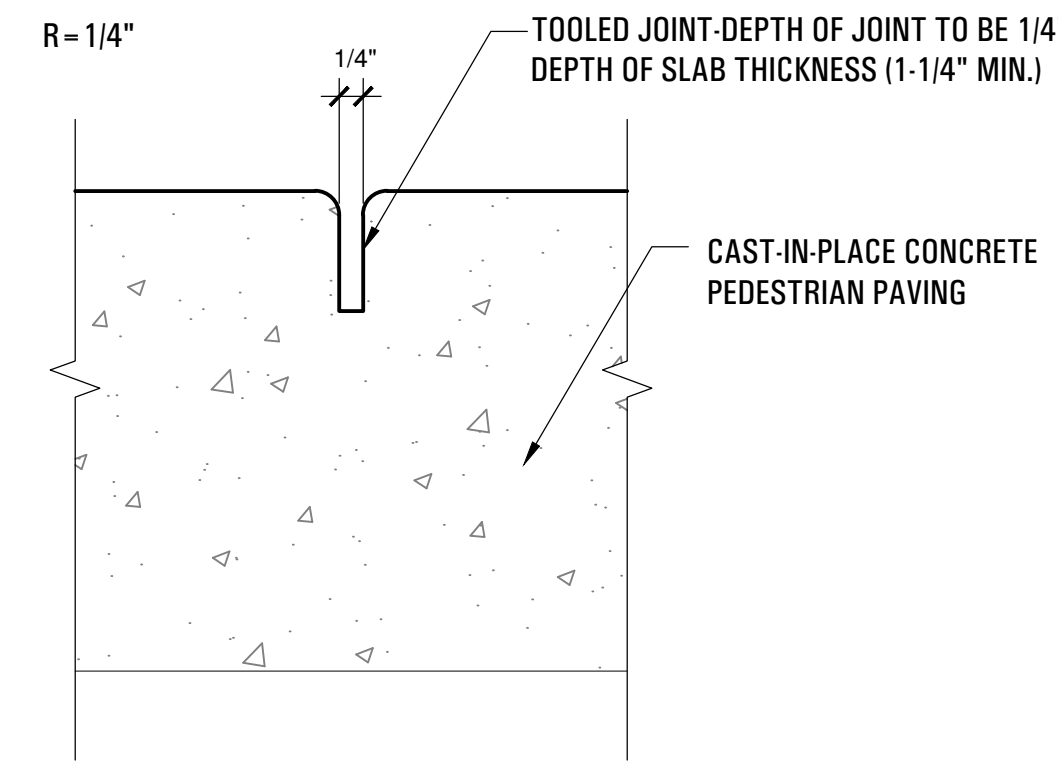
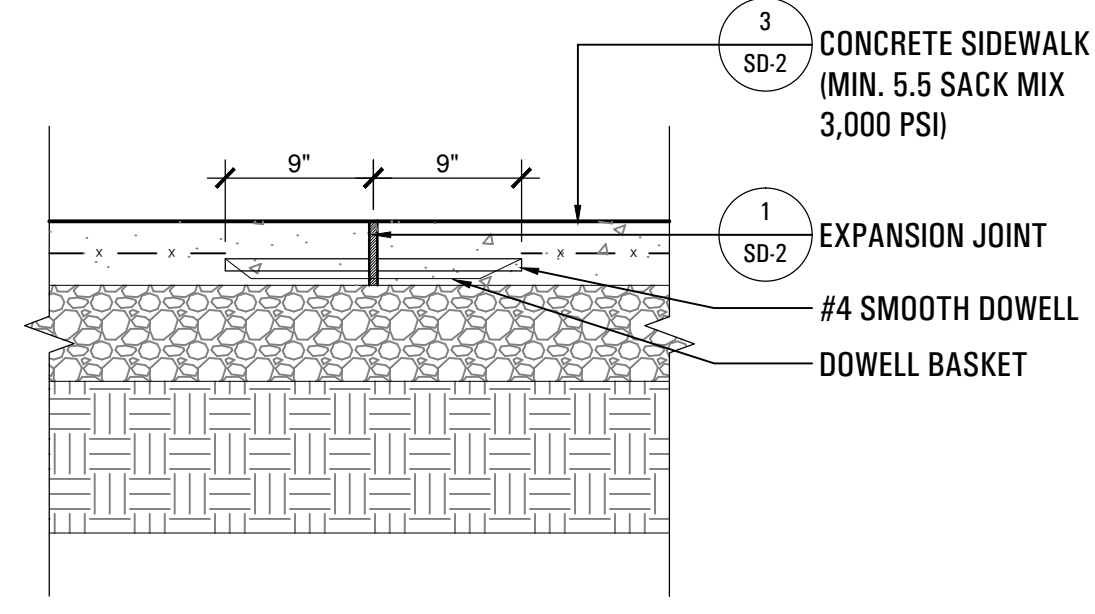


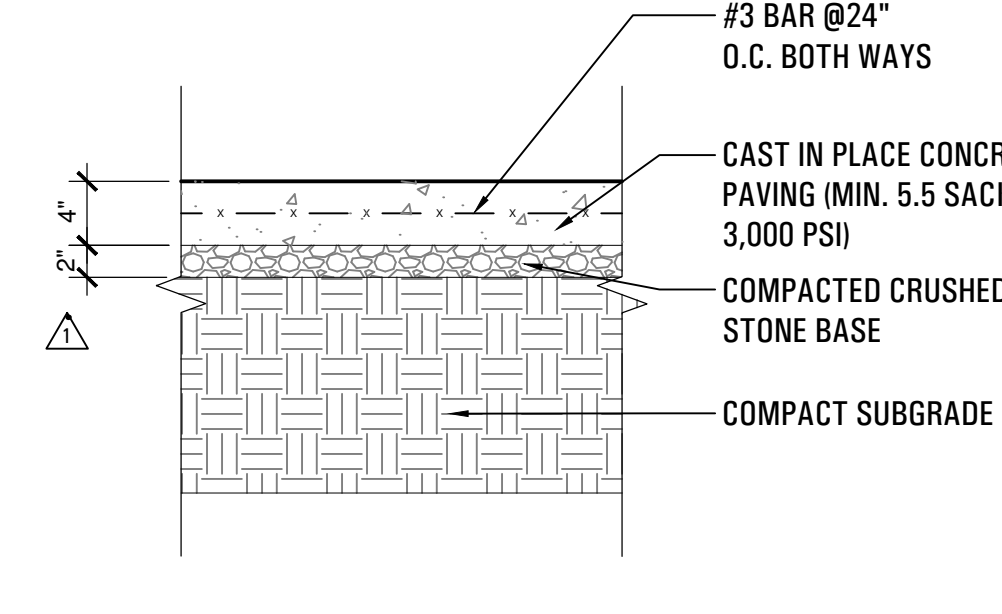
**1** EXPANSION JOINT  
SCALE: 6" = 1'-0"



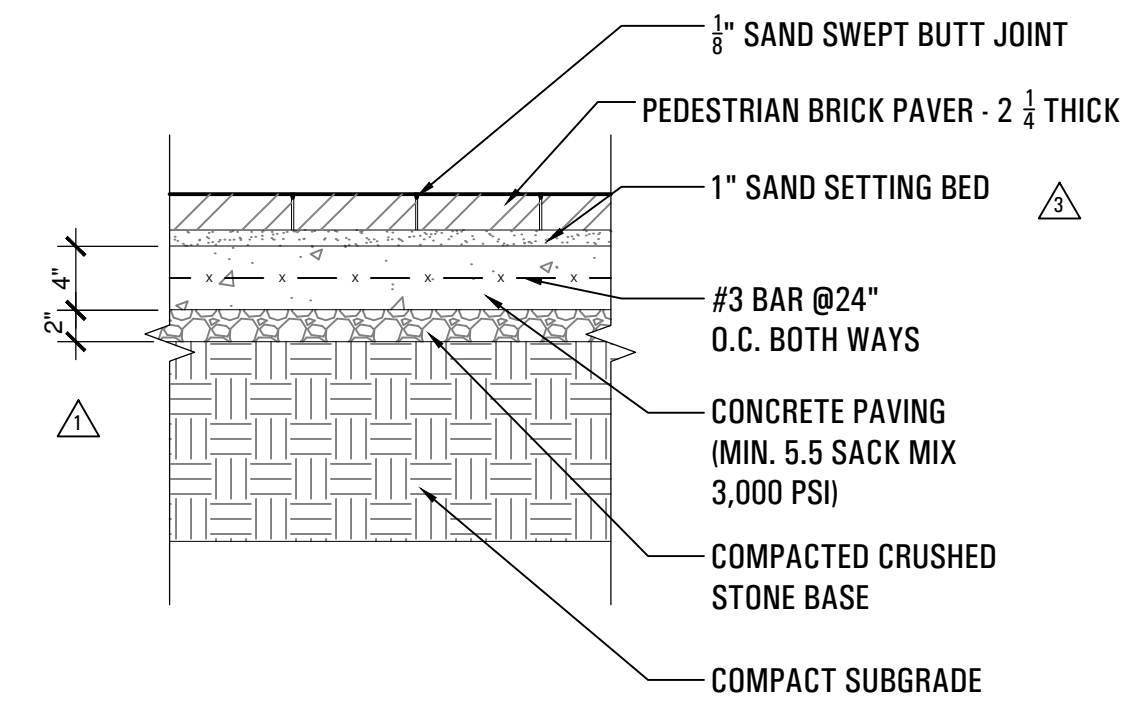
**2** CONTROL JOINT  
SCALE: 6" = 1'-0"



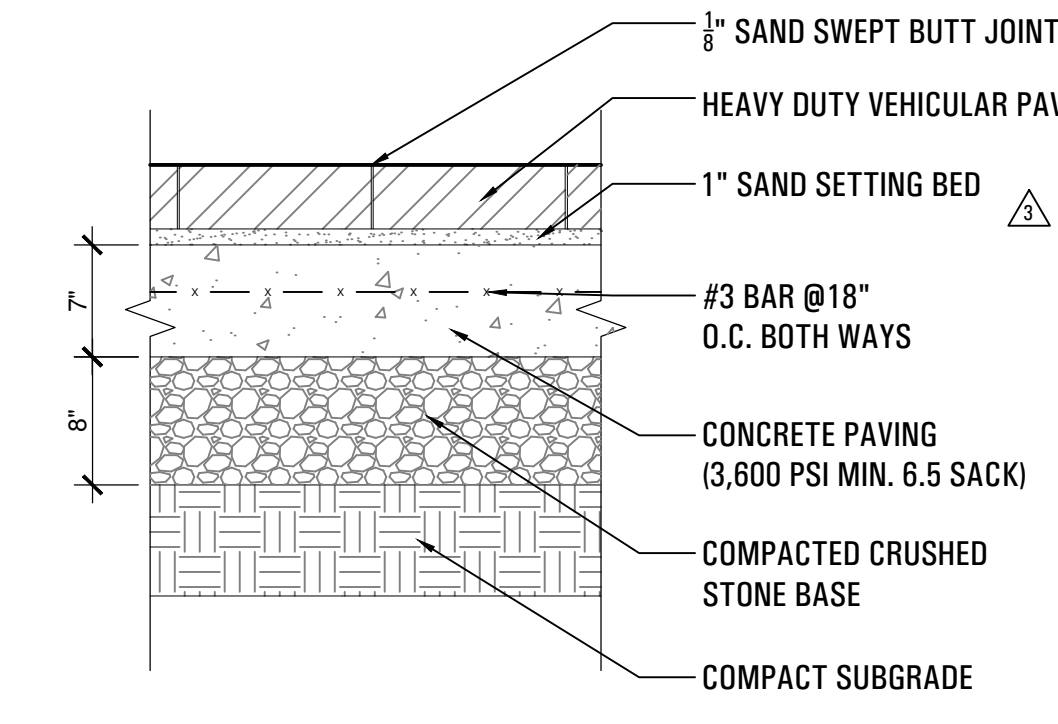
**3** DOWELLED EXPANSION JOINT  
SCALE: 1" = 1'-0"



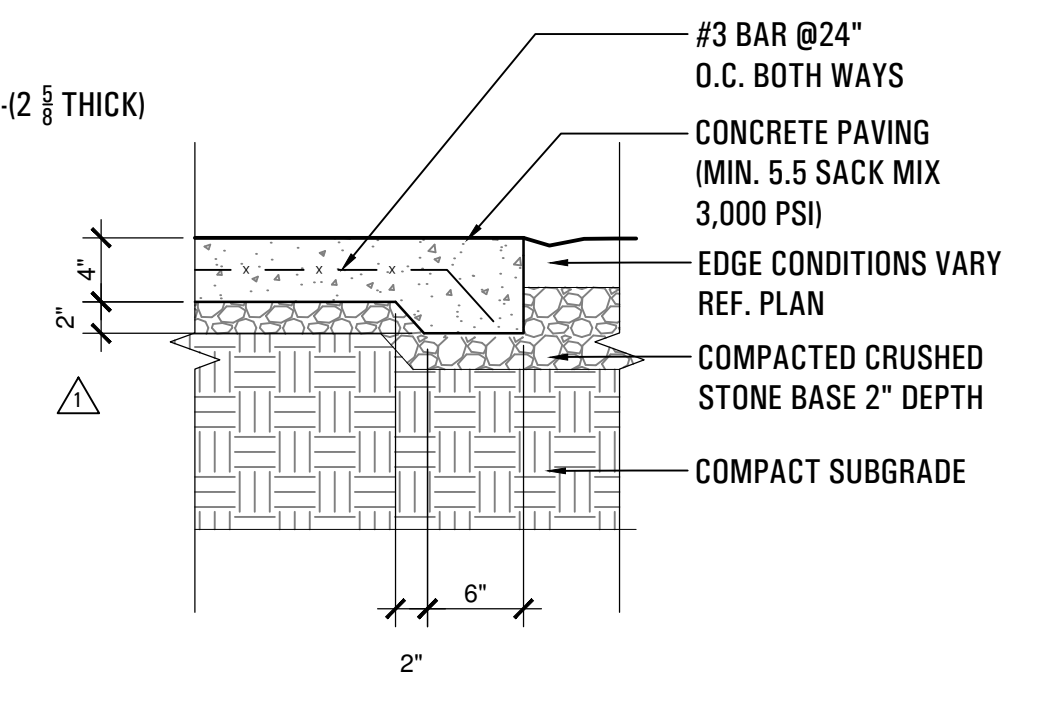
**4** CONCRETE SIDEWALK  
SCALE: 1" = 1'-0"



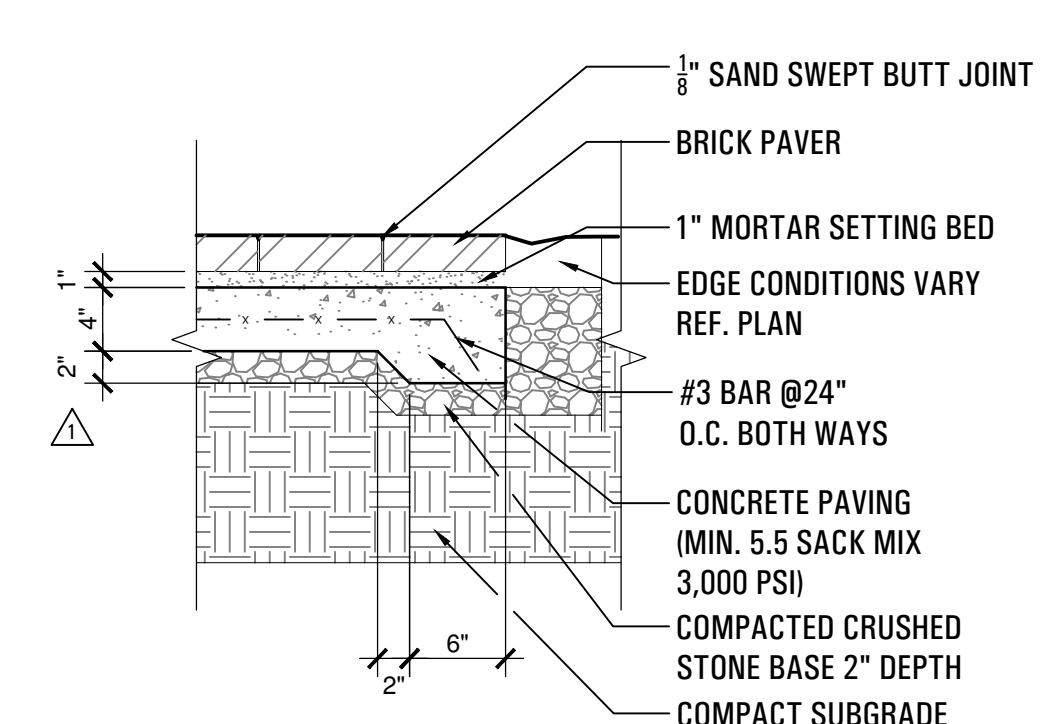
**5** PEDESTRIAN BRICK PAVER  
SCALE: 1" = 1'-0"



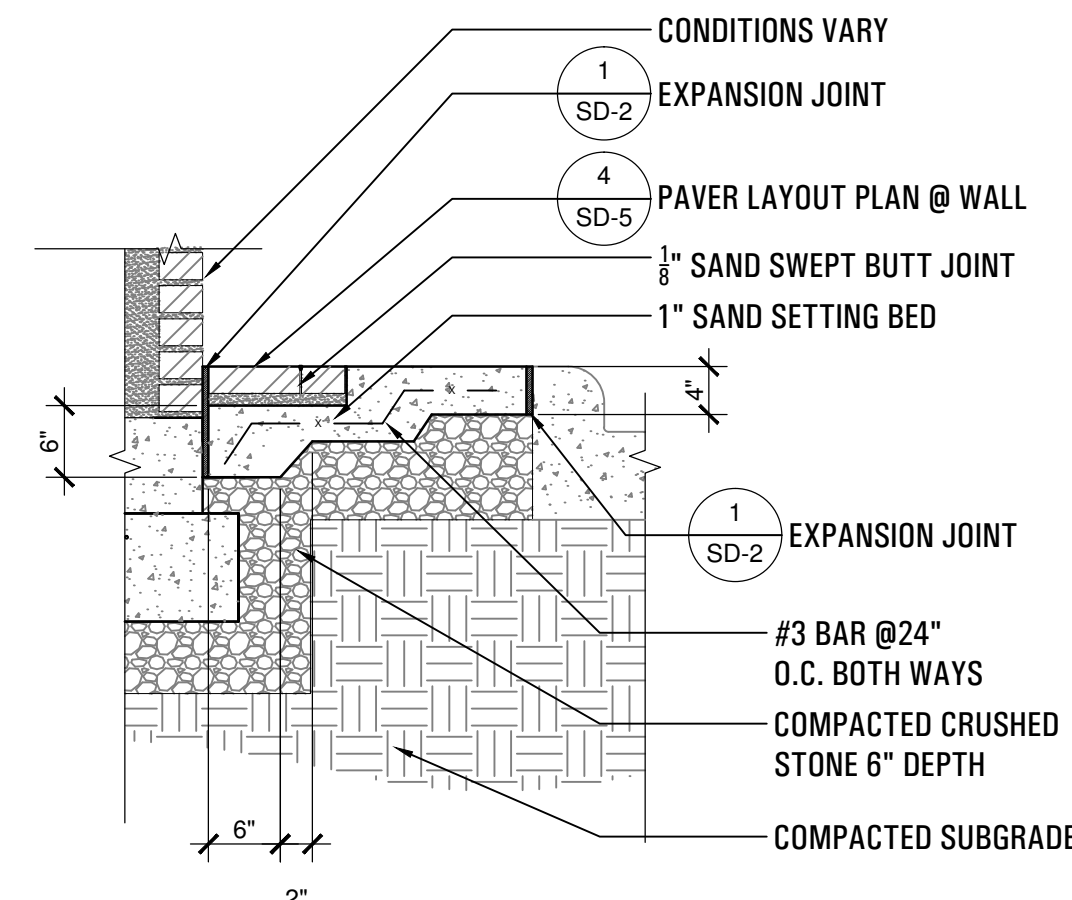
**6** VEHICULAR BRICK PAVER  
SCALE: 1" = 1'-0"



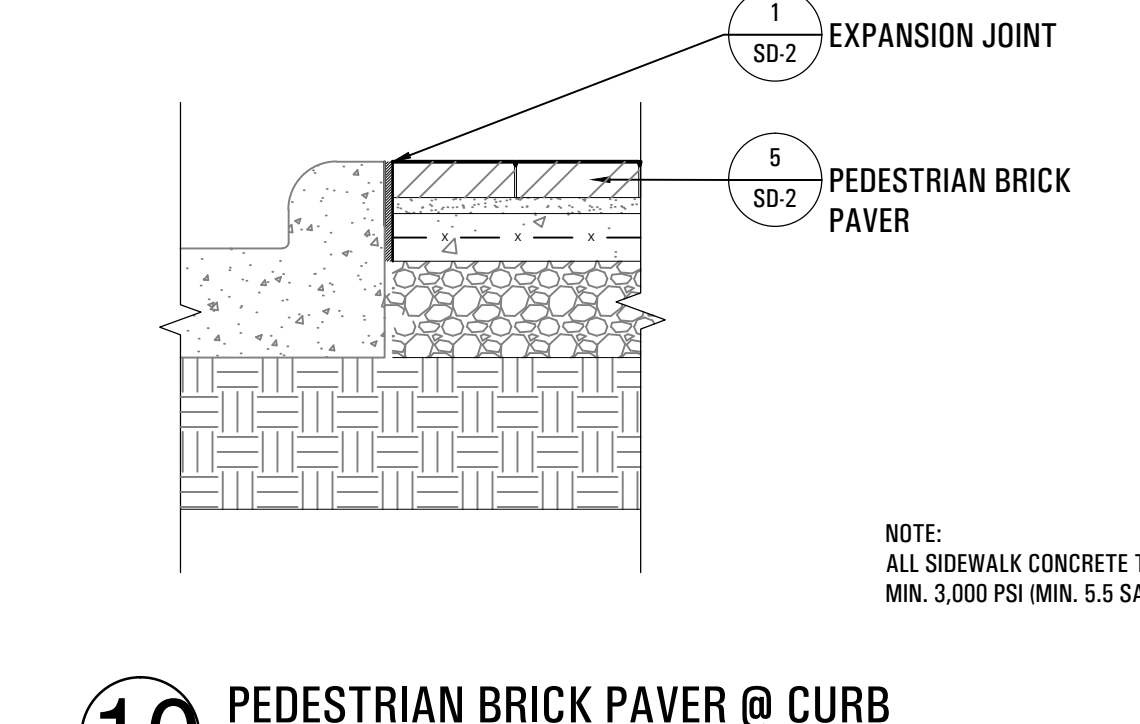
**7** CONCRETE SIDEWALK EDGE  
SCALE: 1" = 1'-0"



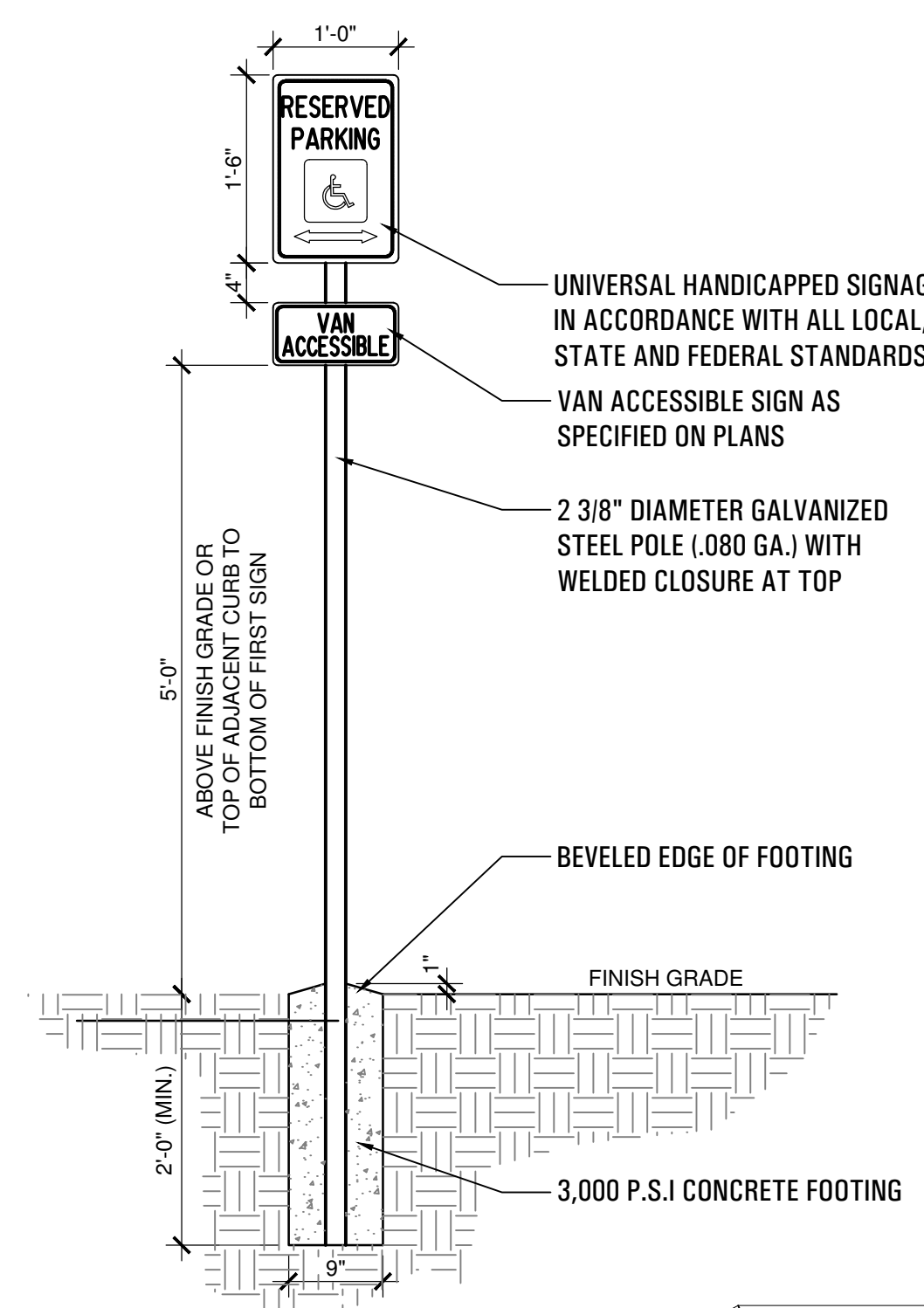
**8** PEDESTRIAN BRICK PAVER @ LANDSCAPE BED  
SCALE: 1" = 1'-0"



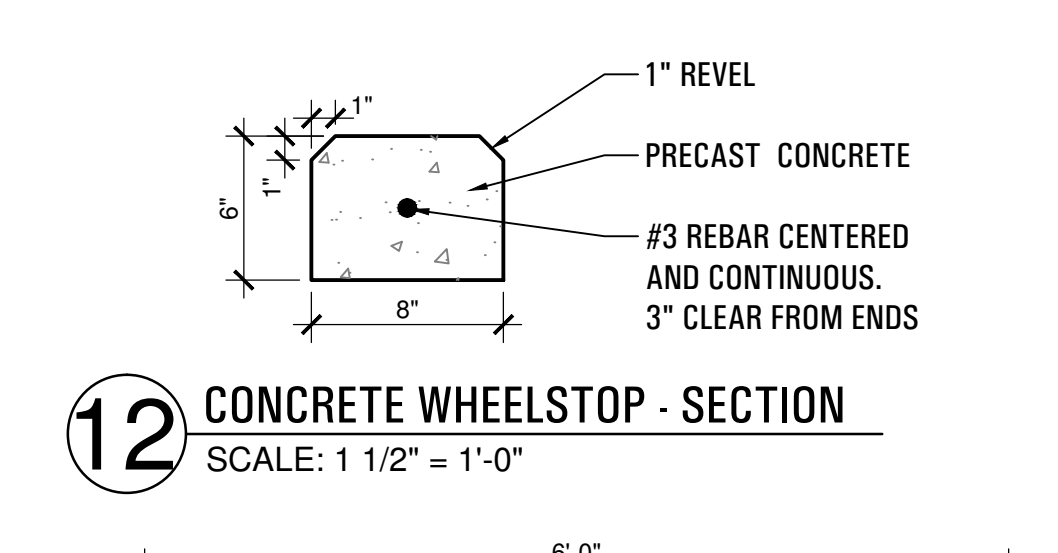
**9** PAVERS @ WALL  
SCALE: 3/4" = 1'-0"



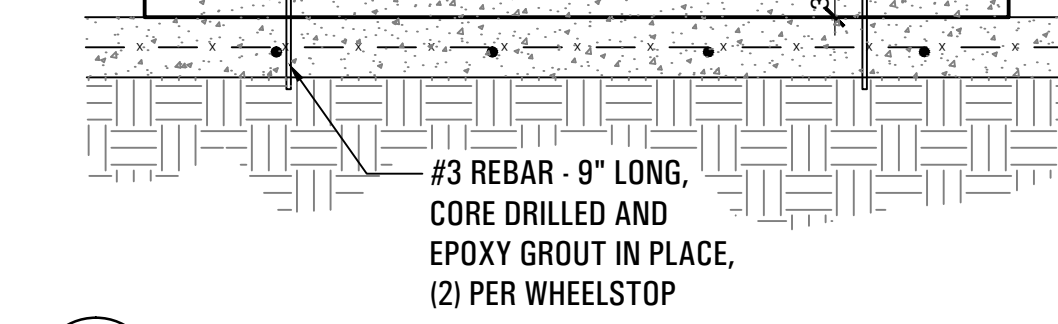
**10** PEDESTRIAN BRICK PAVER @ CURB  
SCALE: 1" = 1'-0"



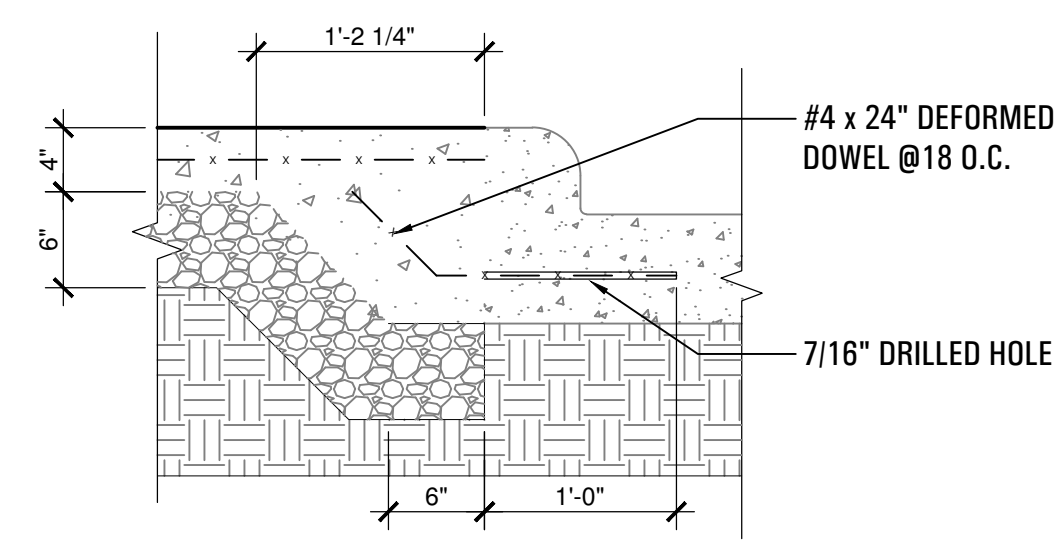
**11** H/C SIGN  
SCALE: 3/4" = 1'-0"



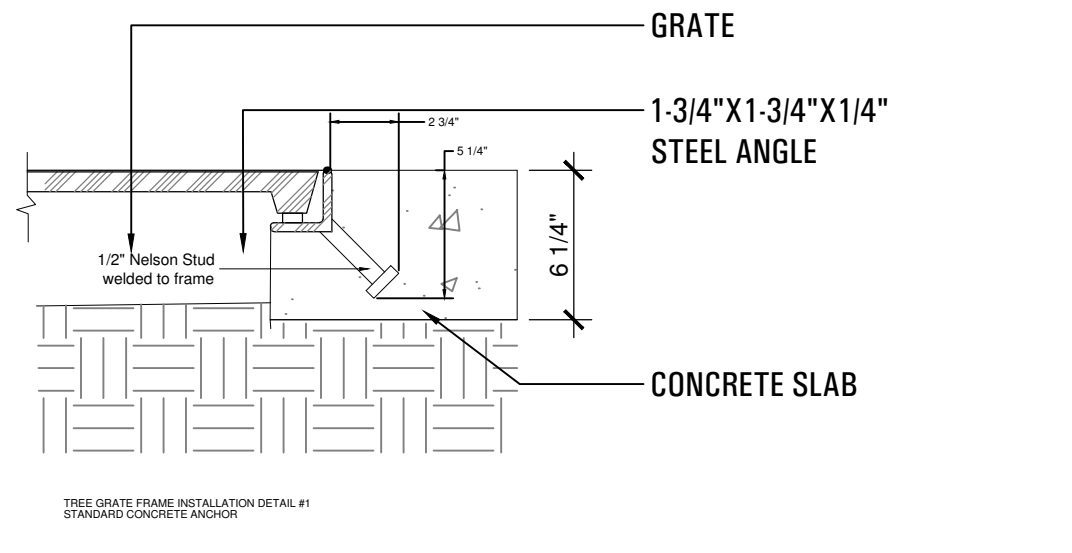
**12** CONCRETE WHEELSTOP - SECTION  
SCALE: 1 1/2" = 1'-0"



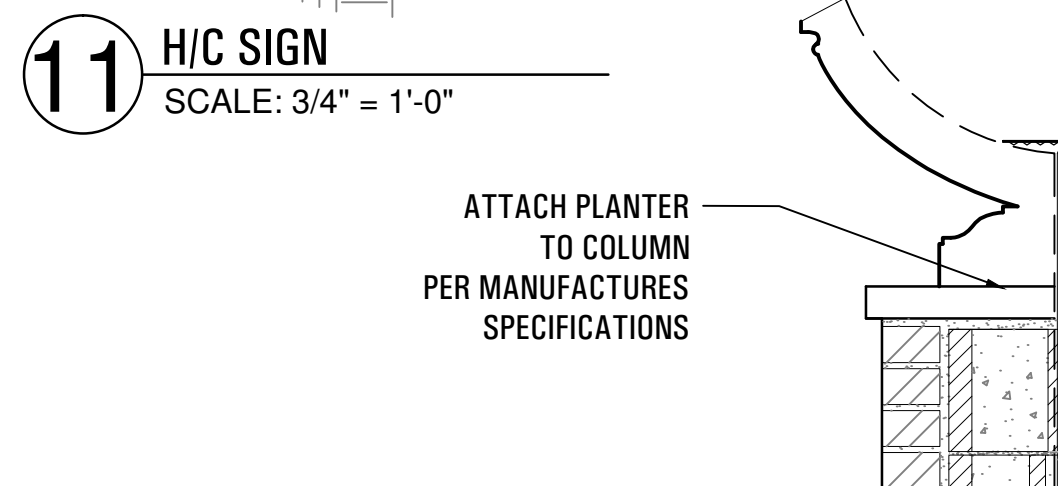
**13** CONCRETE WHEELSTOP  
SCALE: 3/4" = 1'-0"



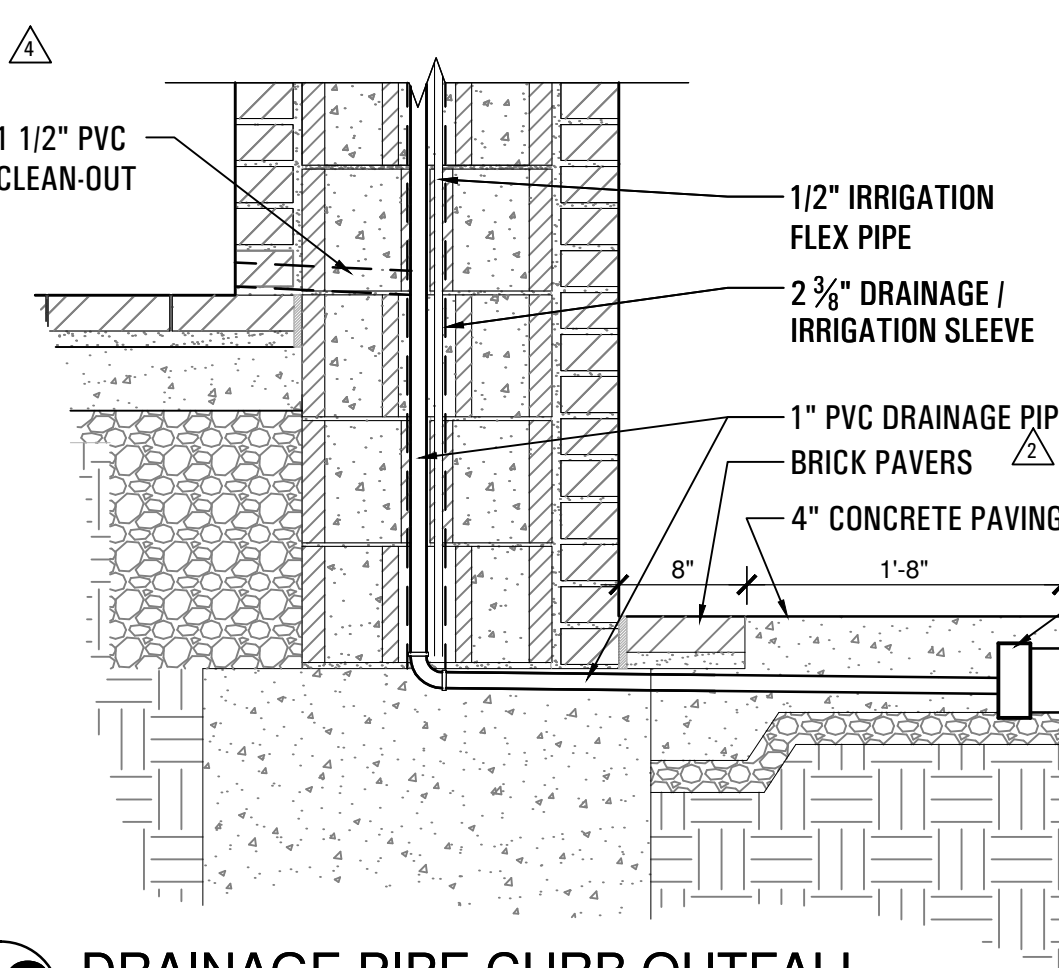
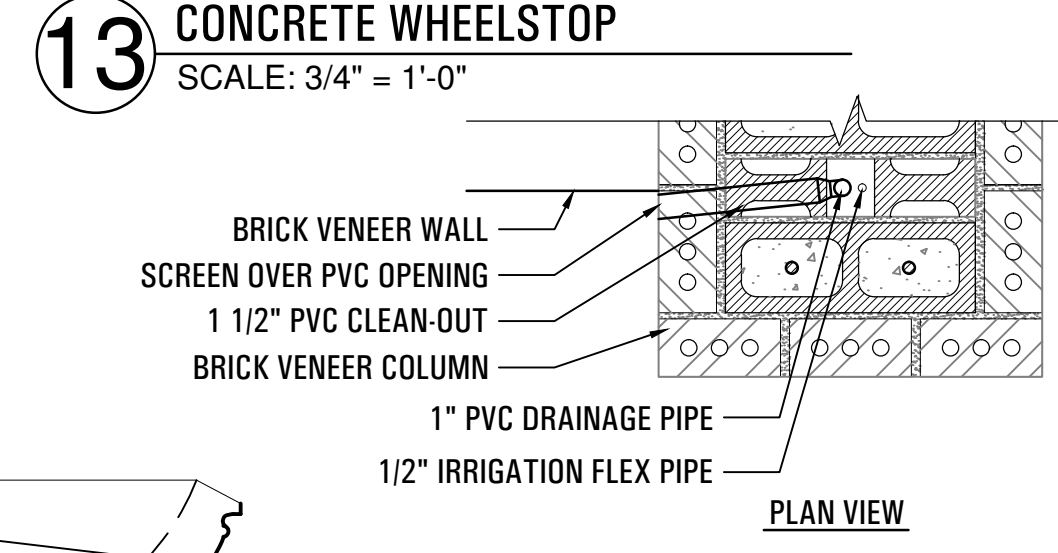
**14** CONCRETE SIDEWALK @ EXISTING CURB  
SCALE: 1" = 1'-0"



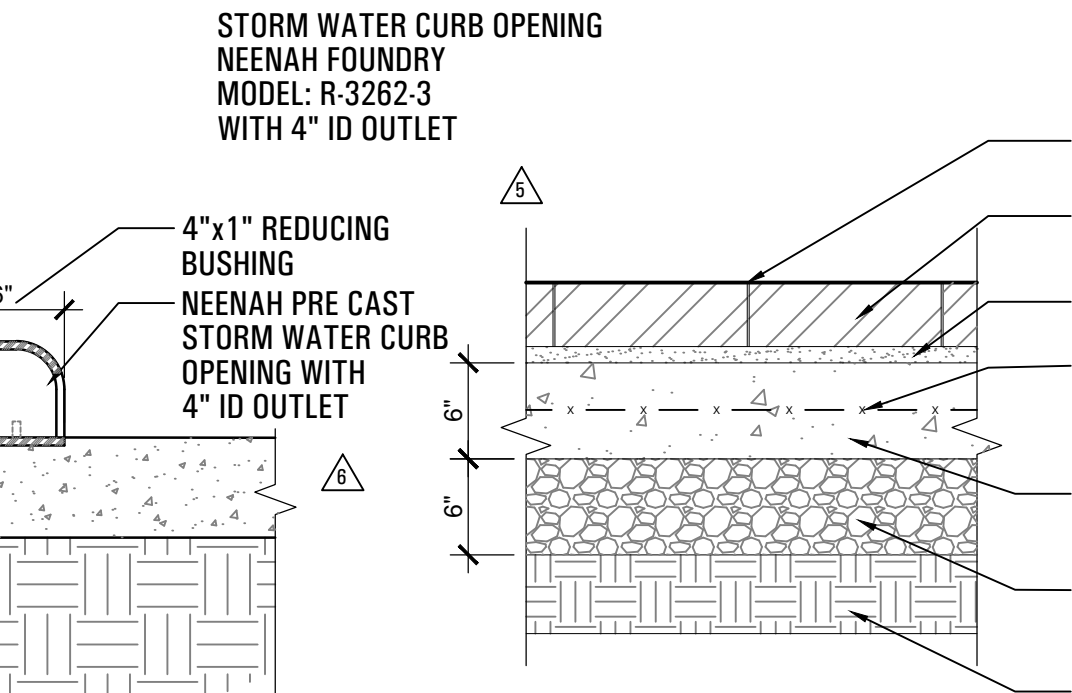
**15** TREE GRATE @ CONCRETE SLAB  
N.T.S.



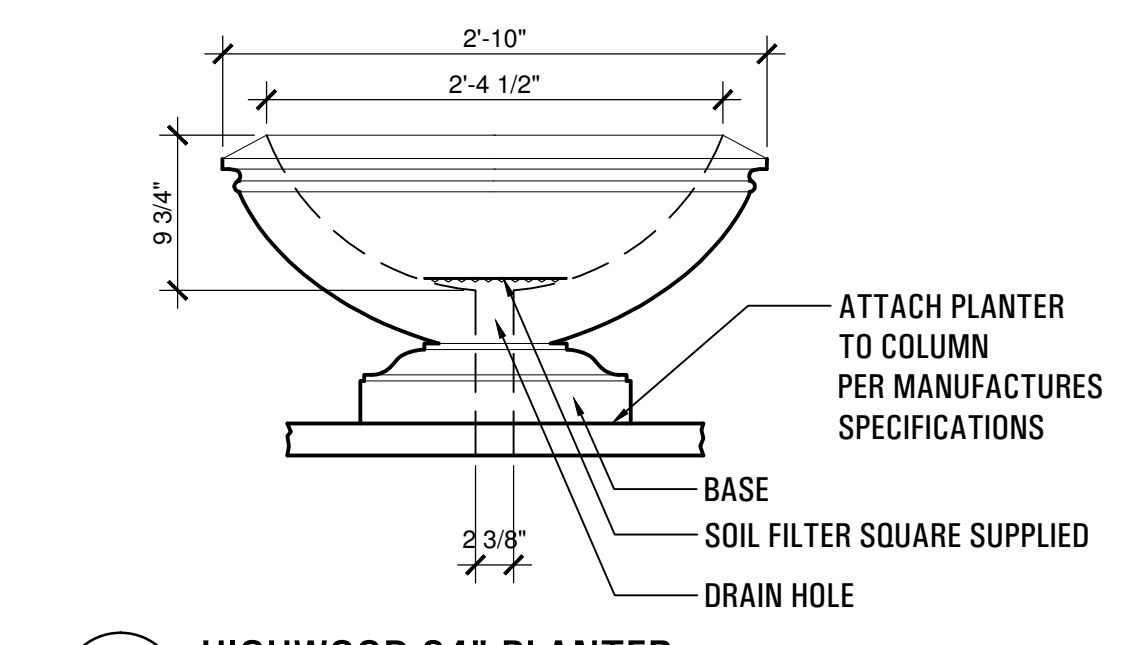
**17** DRAINAGE CONNECTION FROM PLANTER  
SCALE: 1" = 1'-0"



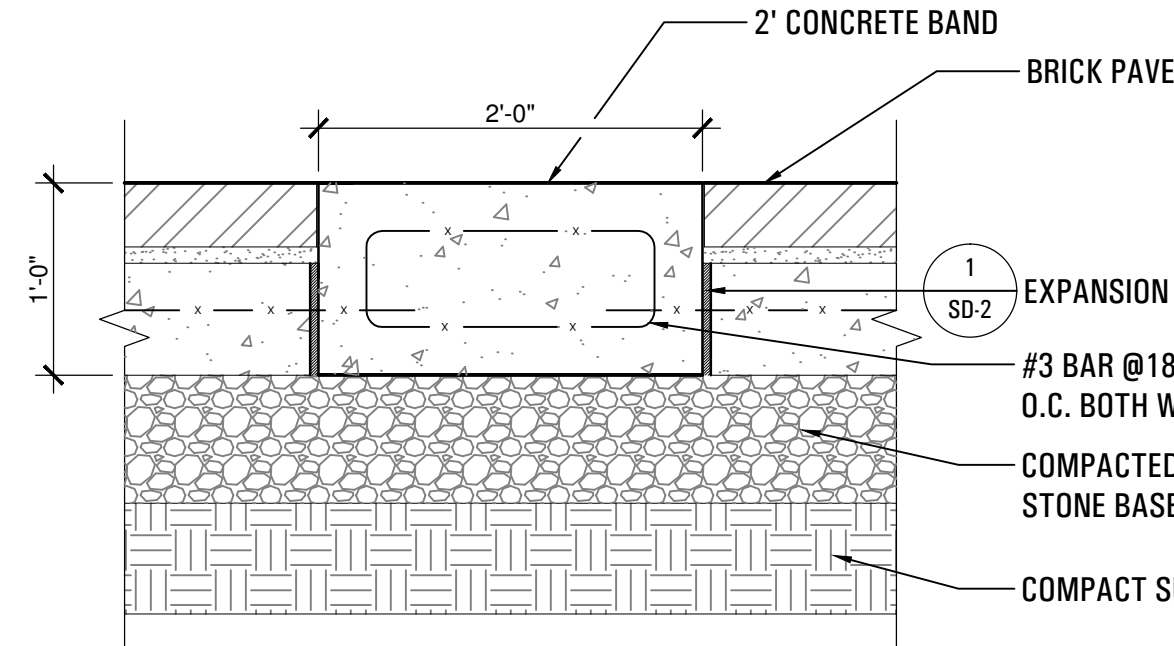
**18** DRAINAGE PIPE CURB OUTFALL  
SCALE: 1" = 1'-0"



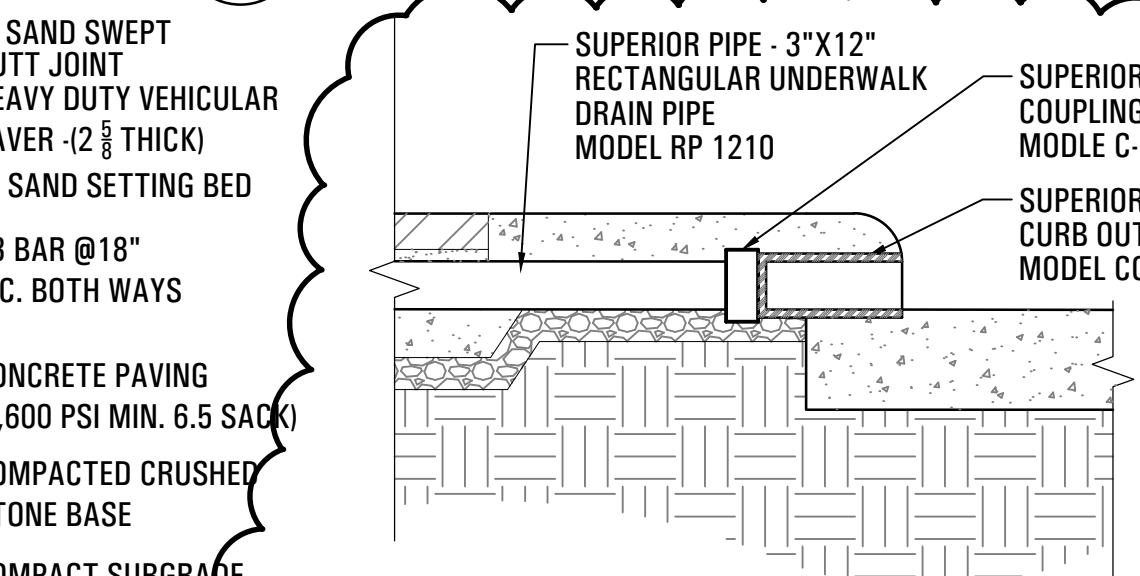
**20** VEHICULAR BRICK PAVER IN PLAZA  
SCALE: 1" = 1'-0"



**16** HIGHWOOD 34" PLANTER  
SCALE: 1" = 1'-0"



**19** CONCRETE BAND  
SCALE: 1" = 1'-0"



**21** ROOF DRAINAGE PIPE CURB OUTFALL  
SCALE: 1" = 1'-0"

© 2013 la terra studio, inc. All Rights Reserved FILE: P:\12024-Downtown Rockwall PS&E - Rockwall\CAD\ISHEET\12024-Strt Details\_2.dwg

submittals / revisions

no.	date	detail
△	04/08/14	RFI #78
△	04/28/14	RFI #59
△	05/08/14	RFI #82
△	06/12/14	RFI #31
△	06/19/14	LASI #6
△	08/20/14	RFI #118
△	09/23/14	RFI #115
△	12/16/14	RFI #115

la terra studio, inc.

12024  
its project number  
02.26.2014  
date  
rac; bhm  
drawn by  
mtb  
checked by

