



submittals 7 revisions

no.	date	detail
1	4-8-14	RFI #70
2	7-8-14	RFI #69
3	7-22-14	RFI #109

la terra studio, inc.

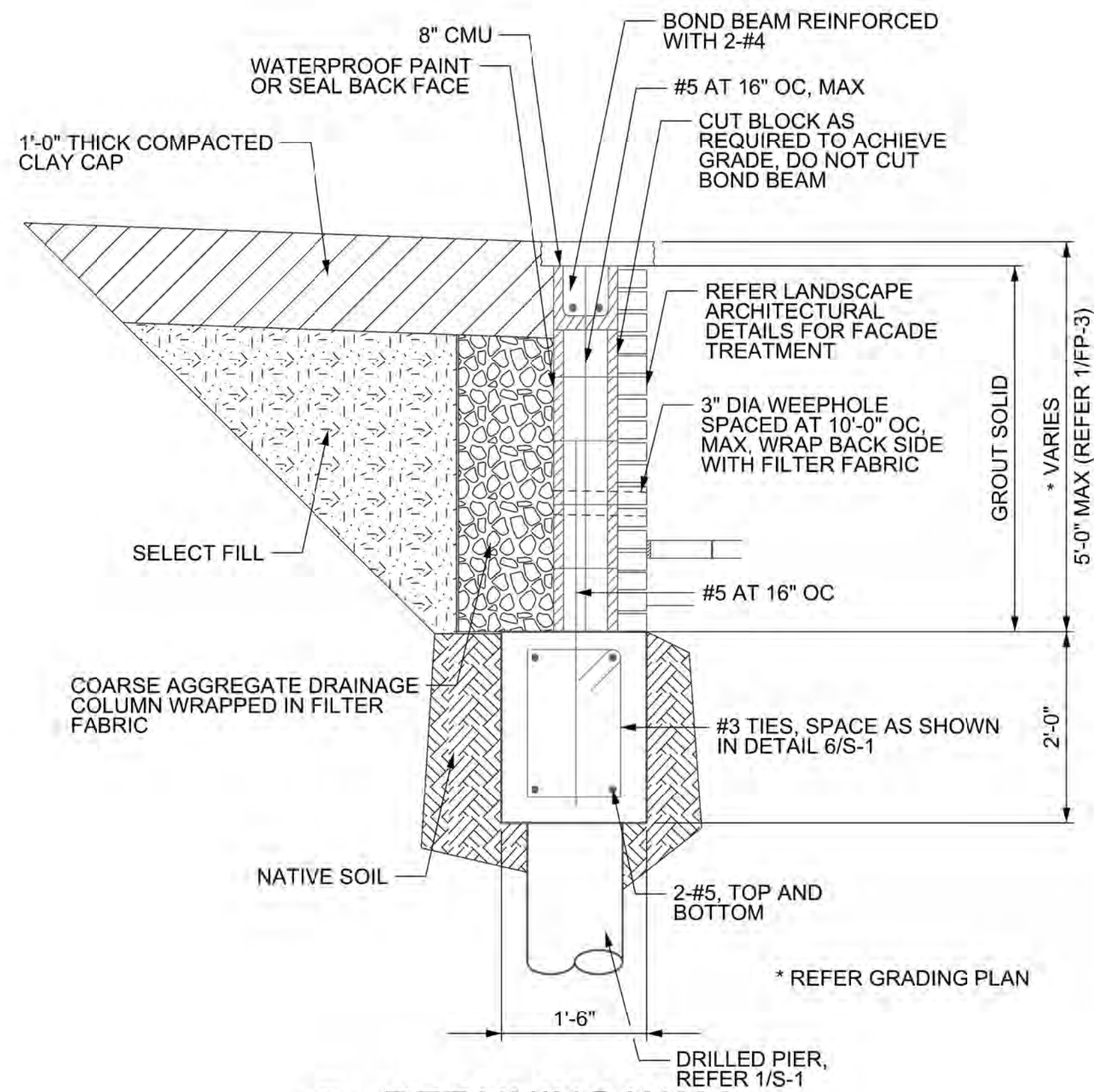
12024  
Its project number  
4.15.2014  
date  
bgp  
drawn by  
bgp  
checked by

registration

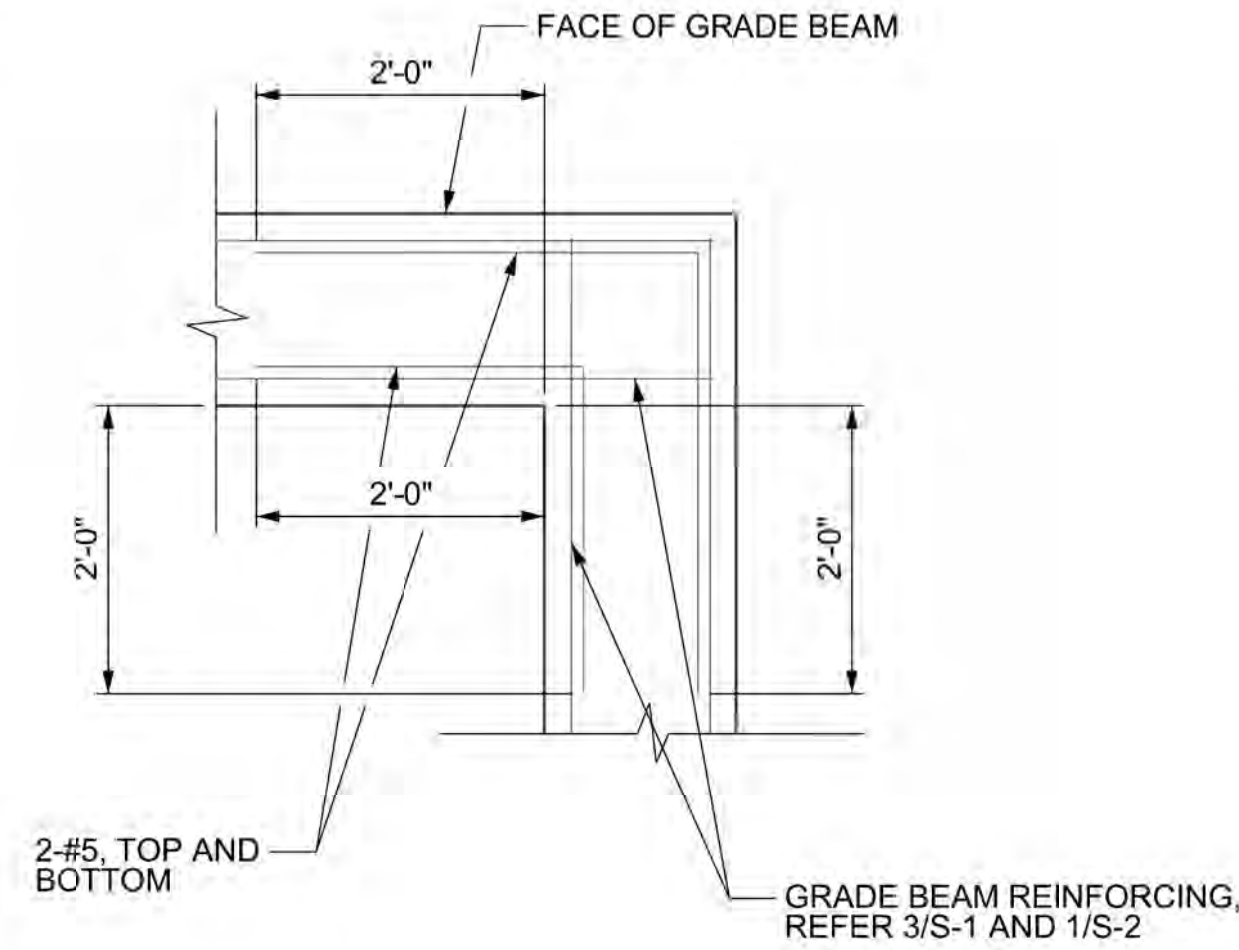


sheet title  
**STRUCTURAL DETAILS**  
sheet number

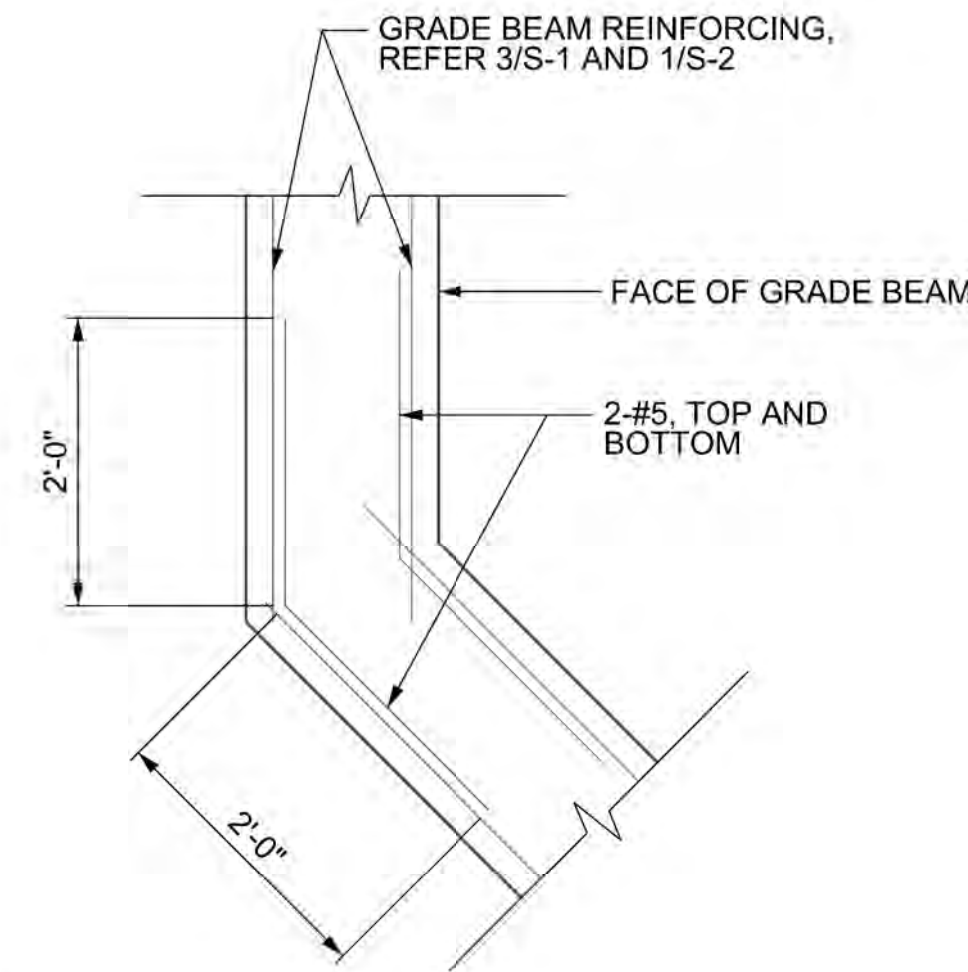
**S-2**



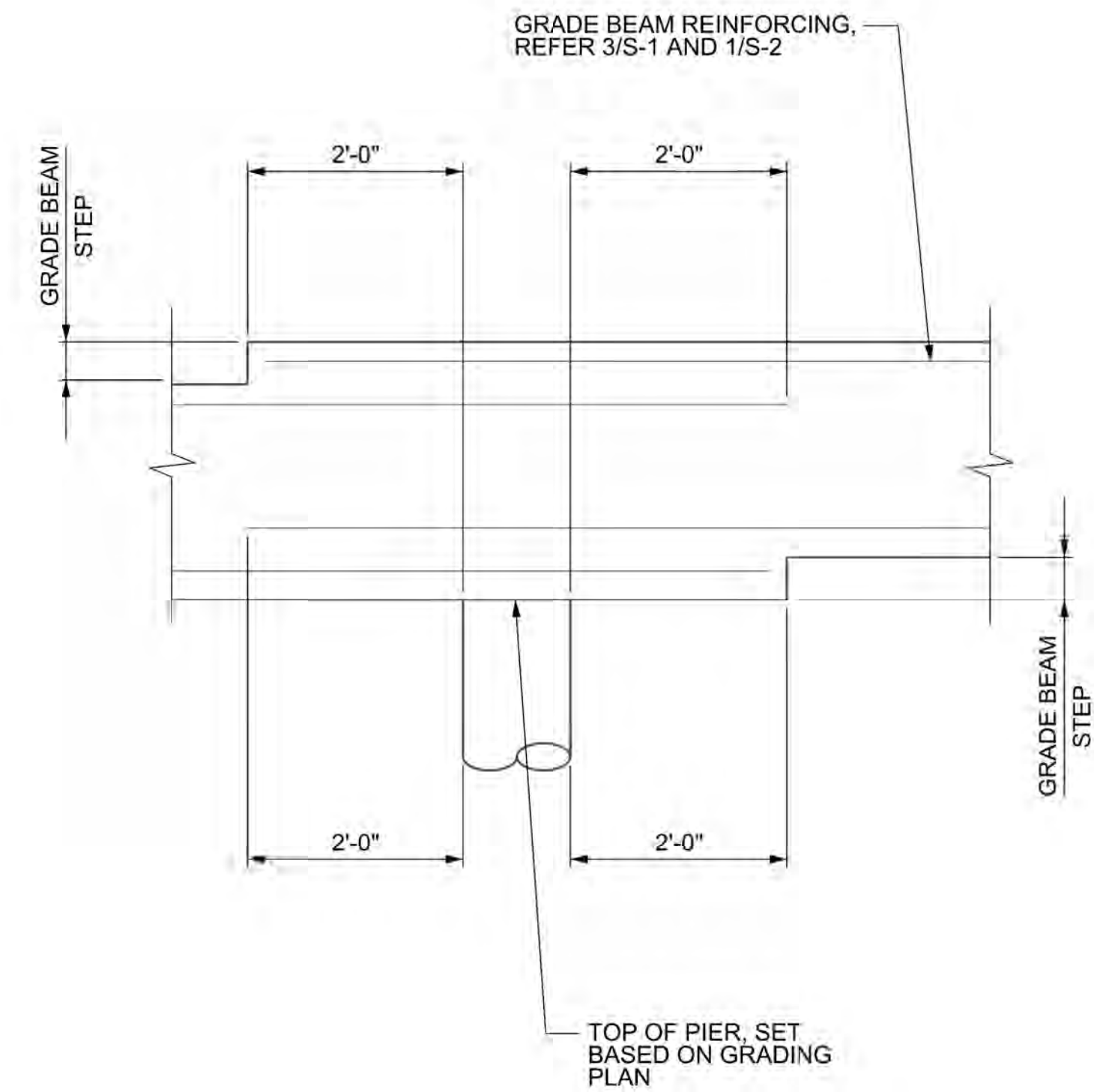
1 RETAINING WALL  
S-2 SCALE: 3/4" = 1'-0"



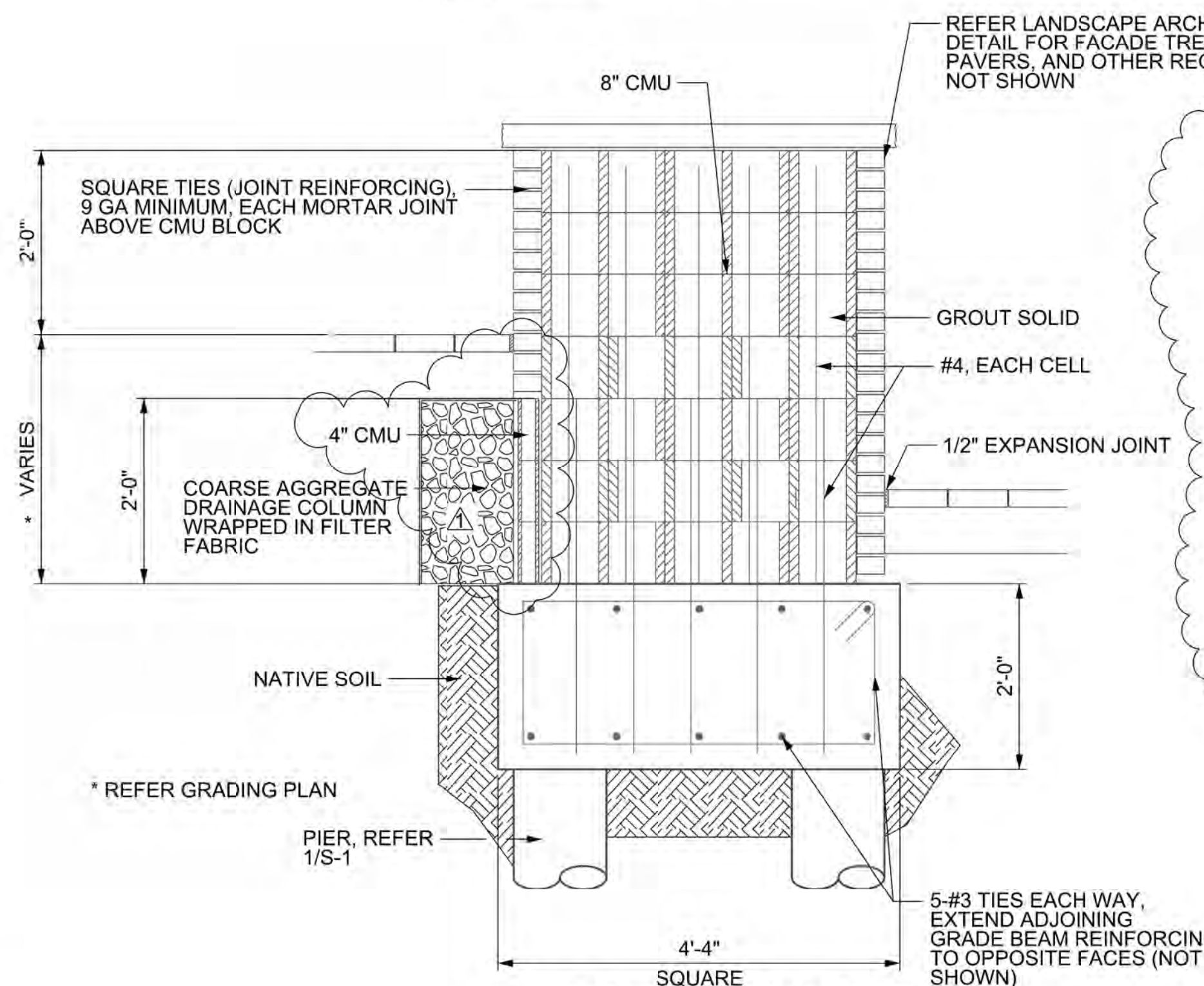
2 GRADE BEAM CORNER  
S-2 SCALE: 3/4" = 1'-0"



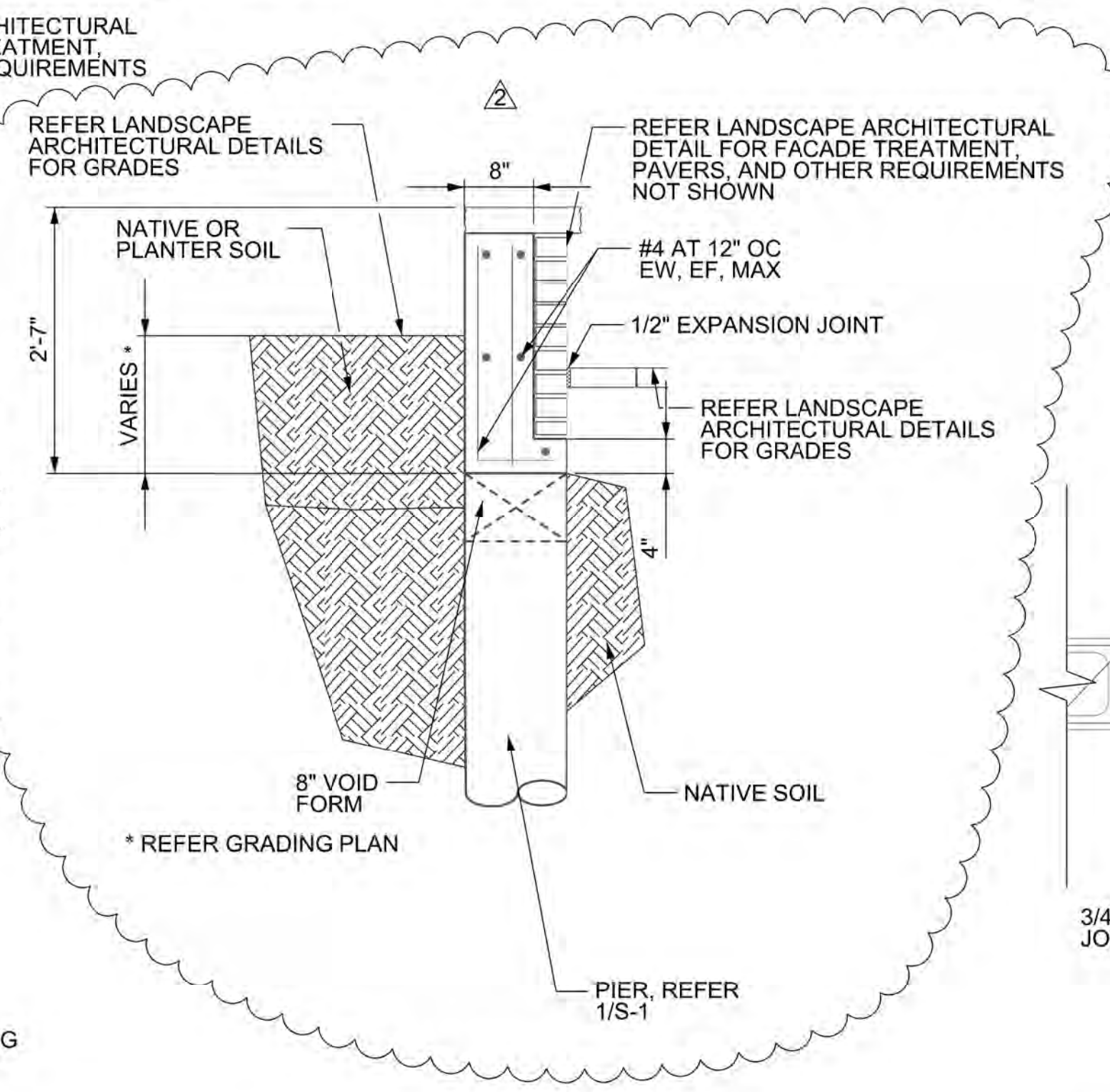
3 GRADE BEAM BEND  
S-2 SCALE: 3/4" = 1'-0"



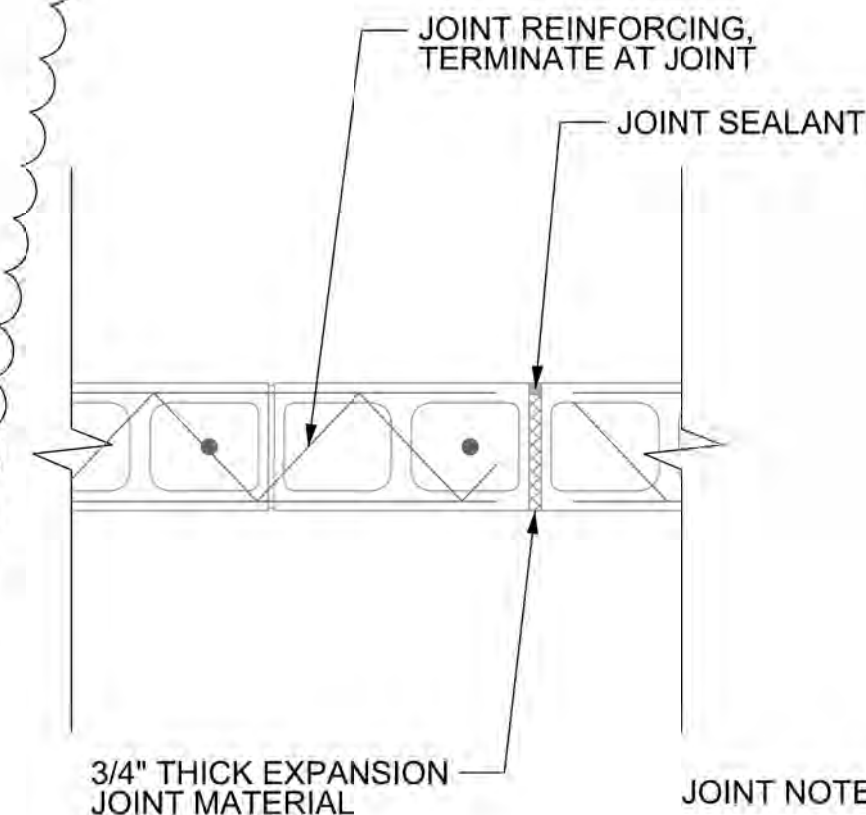
4 GRADE BEAM STEP  
S-2 SCALE: 3/4" = 1'-0"



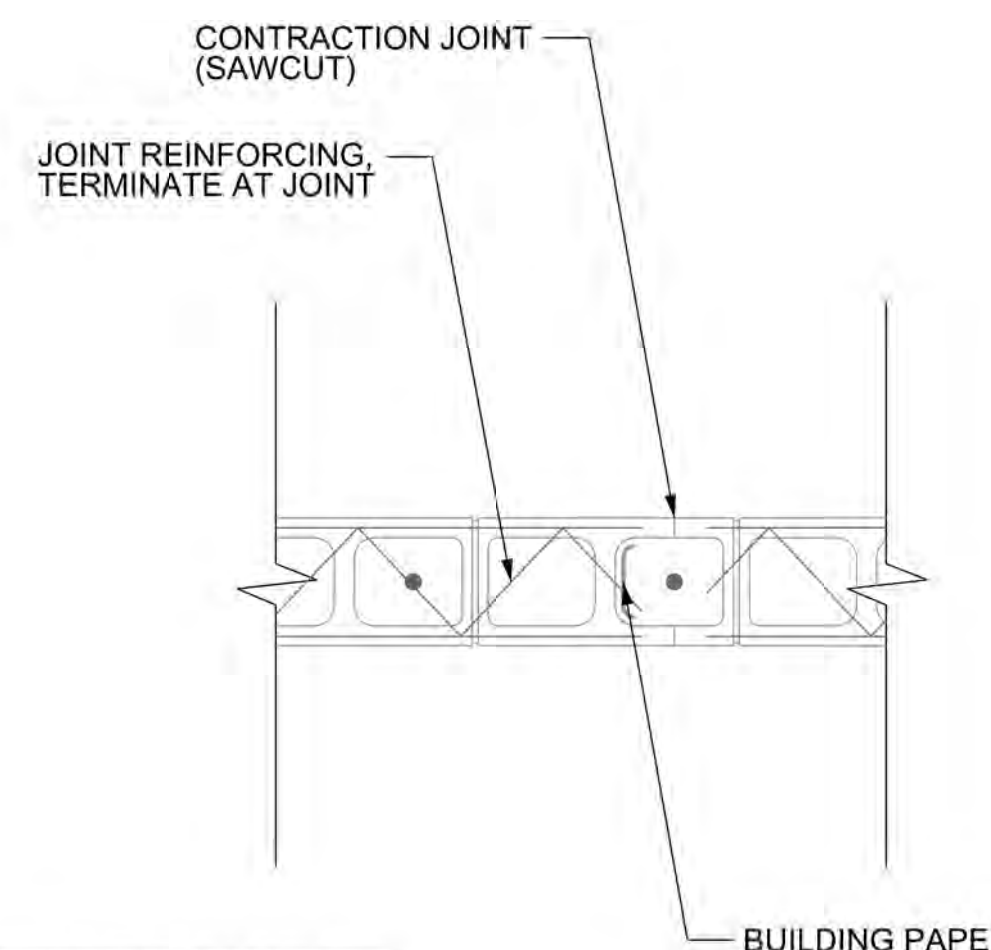
5 LARGE BRICK VENEER COLUMN  
S-2 SCALE: 3/4" = 1'-0"



6 PLANTER WALL  
S-2 SCALE: 3/4" = 1'-0"



7 EXPANSION JOINT  
S-2 SCALE: 3/4" = 1'-0"



8 CONTRACTION JOINT  
S-2 SCALE: 3/4" = 1'-0"

- JOINT NOTES:
1. JOINTS SHALL NOT EXTEND INTO GRADE BEAMS.
  2. MAXIMUM SPACING FOR EXPANSION JOINTS SHALL BE 40'-0".
  3. MAXIMUM SPACING FOR CONTRACTION JOINTS SHALL BE 20'-0".

PIERCE ENGINEERING  
STRUCTURAL ENGINEERING  
BUS.: (940) 937-8600 132 N. MAIN STREET  
FIRM REG #: F-9186 CHILDRESS, TX 79201