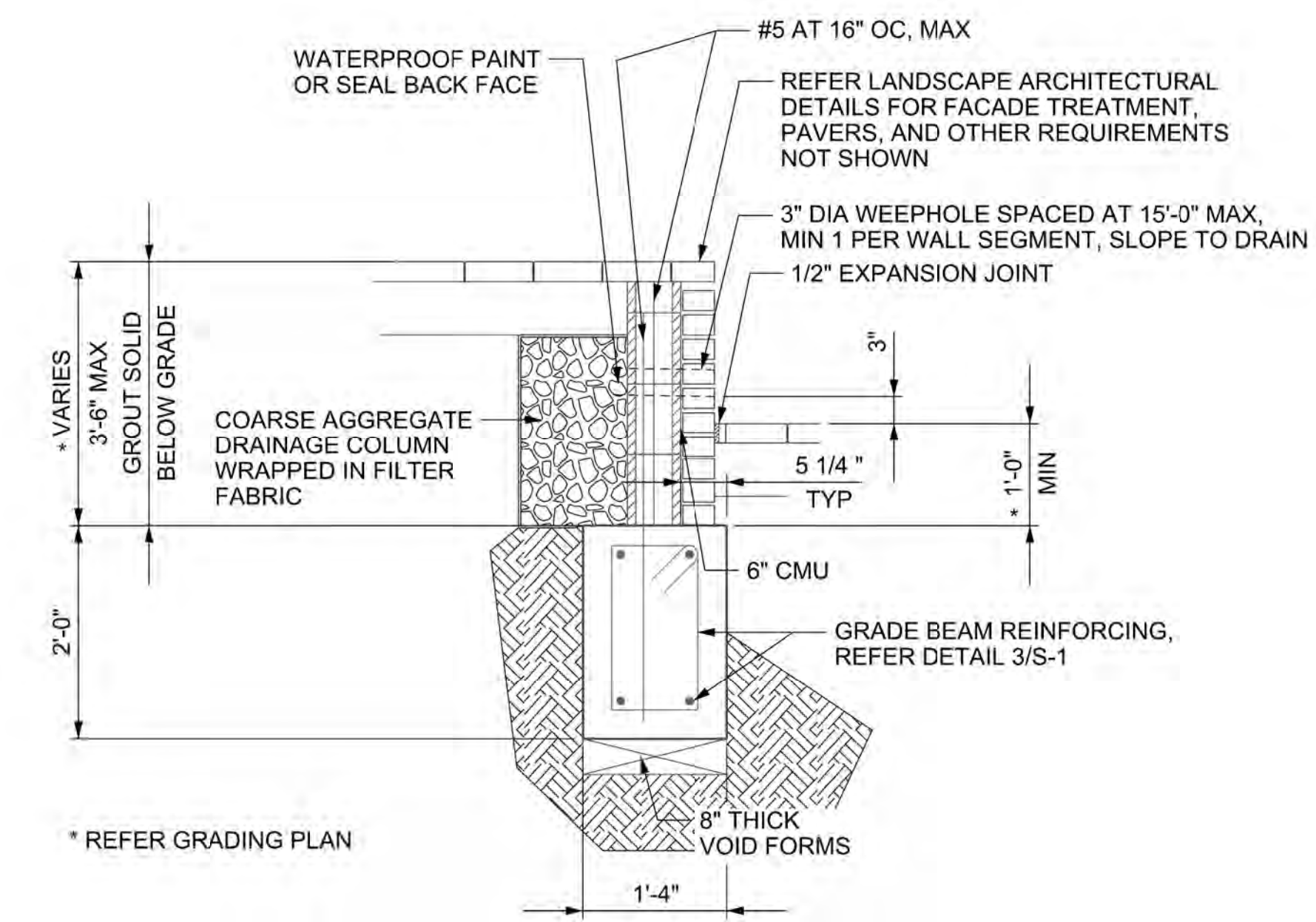
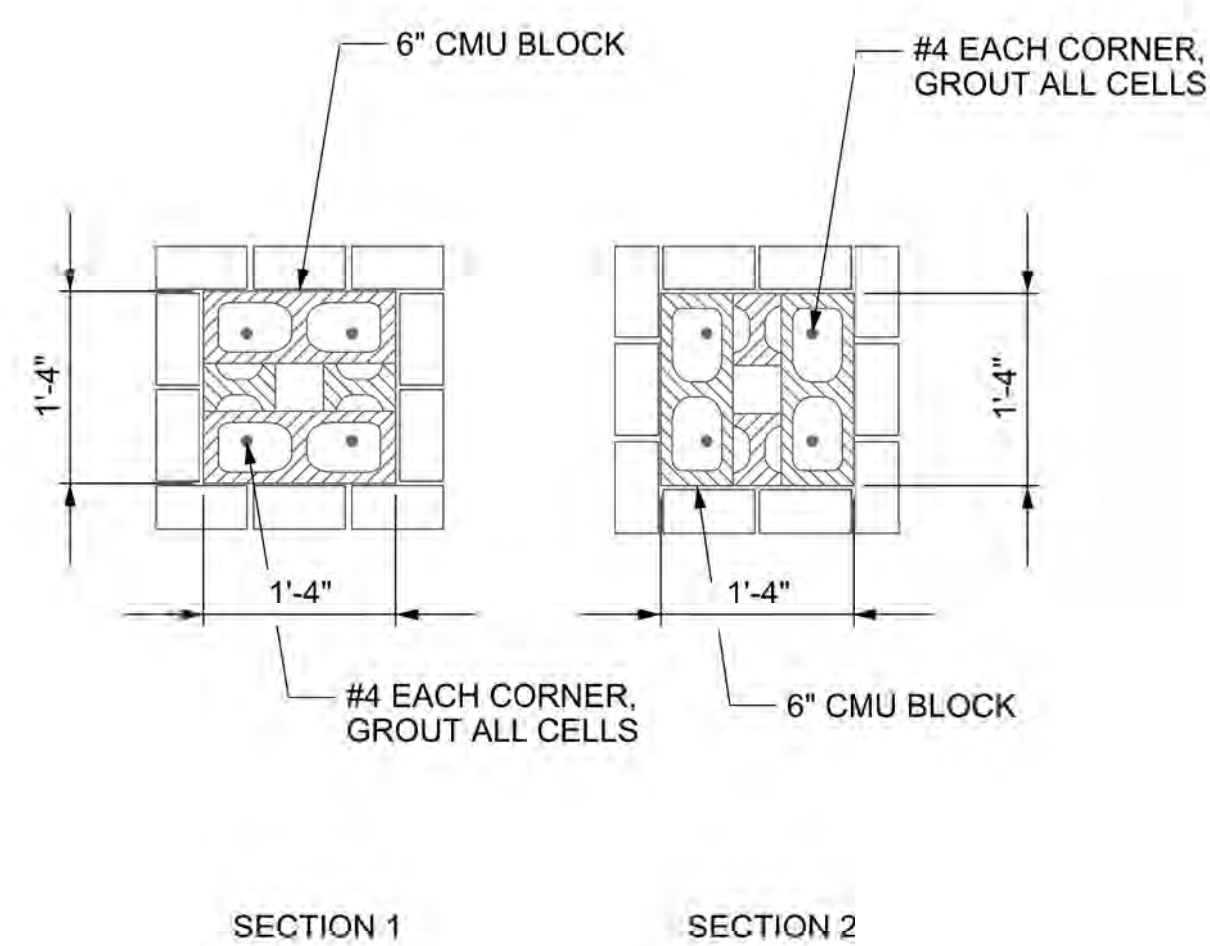


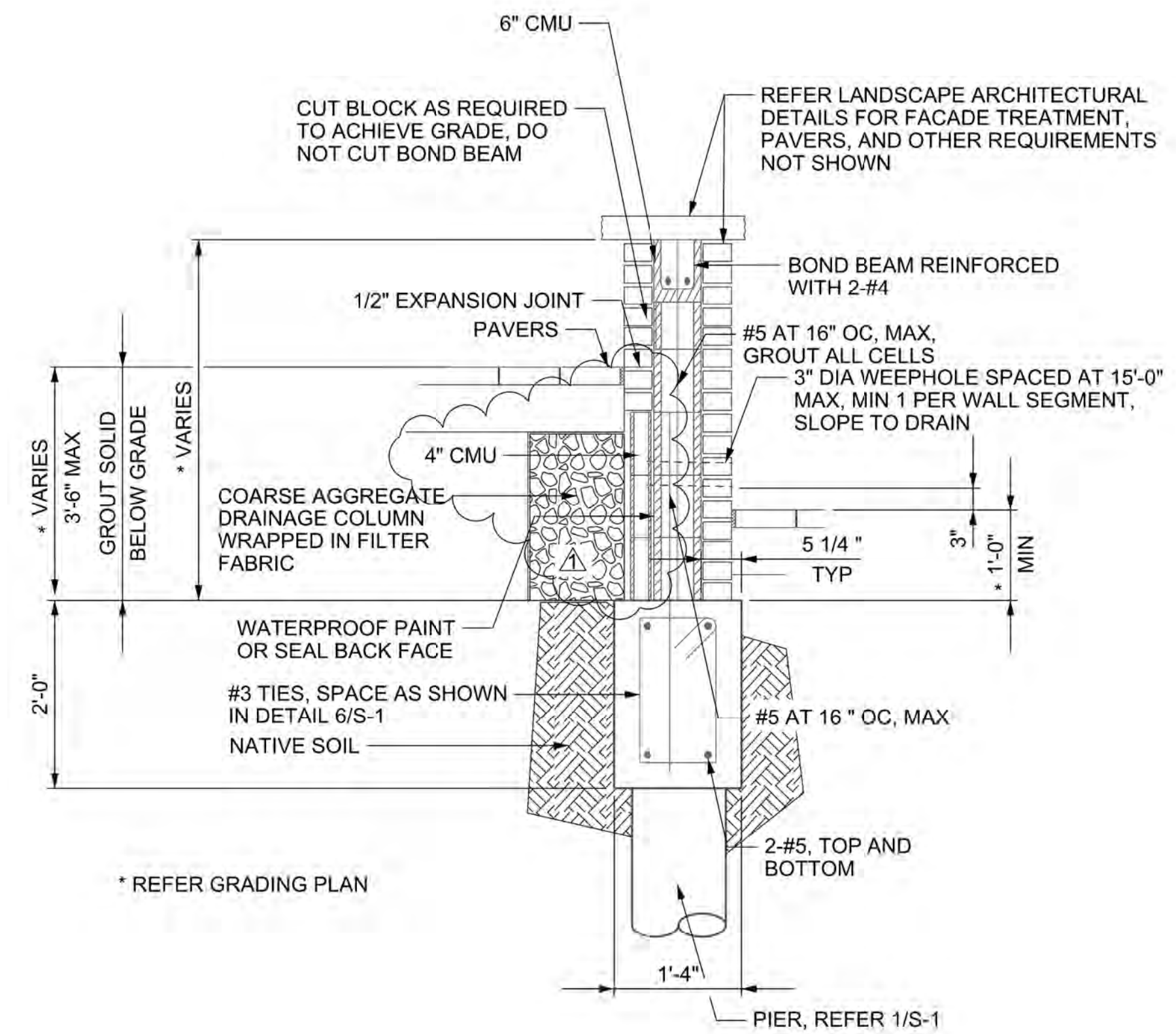
1 COLUMN SECTION
SCALE: 3/4" = 1'-0"



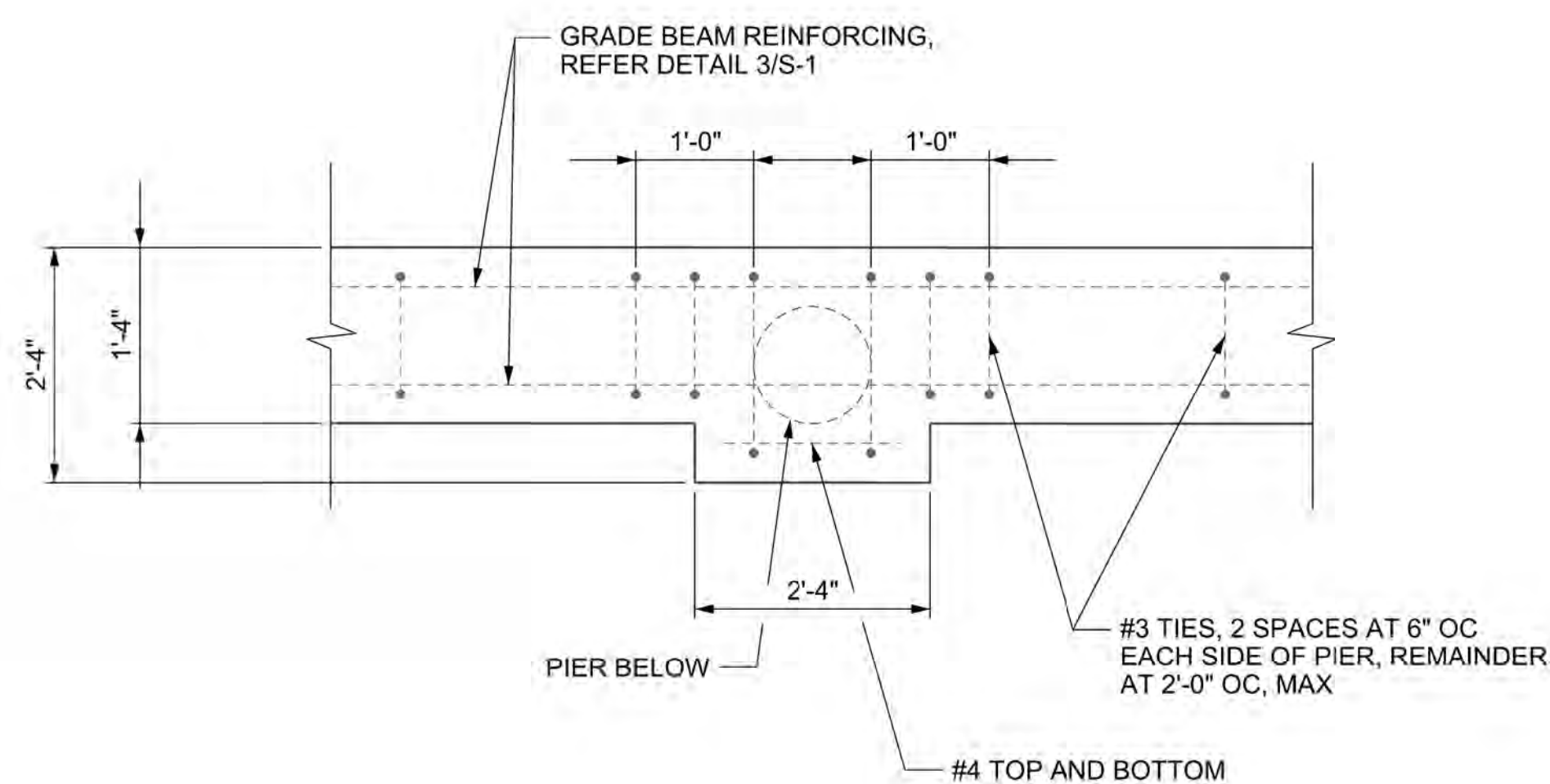
4 WALL SECTION
SCALE: 3/4" = 1'-0"



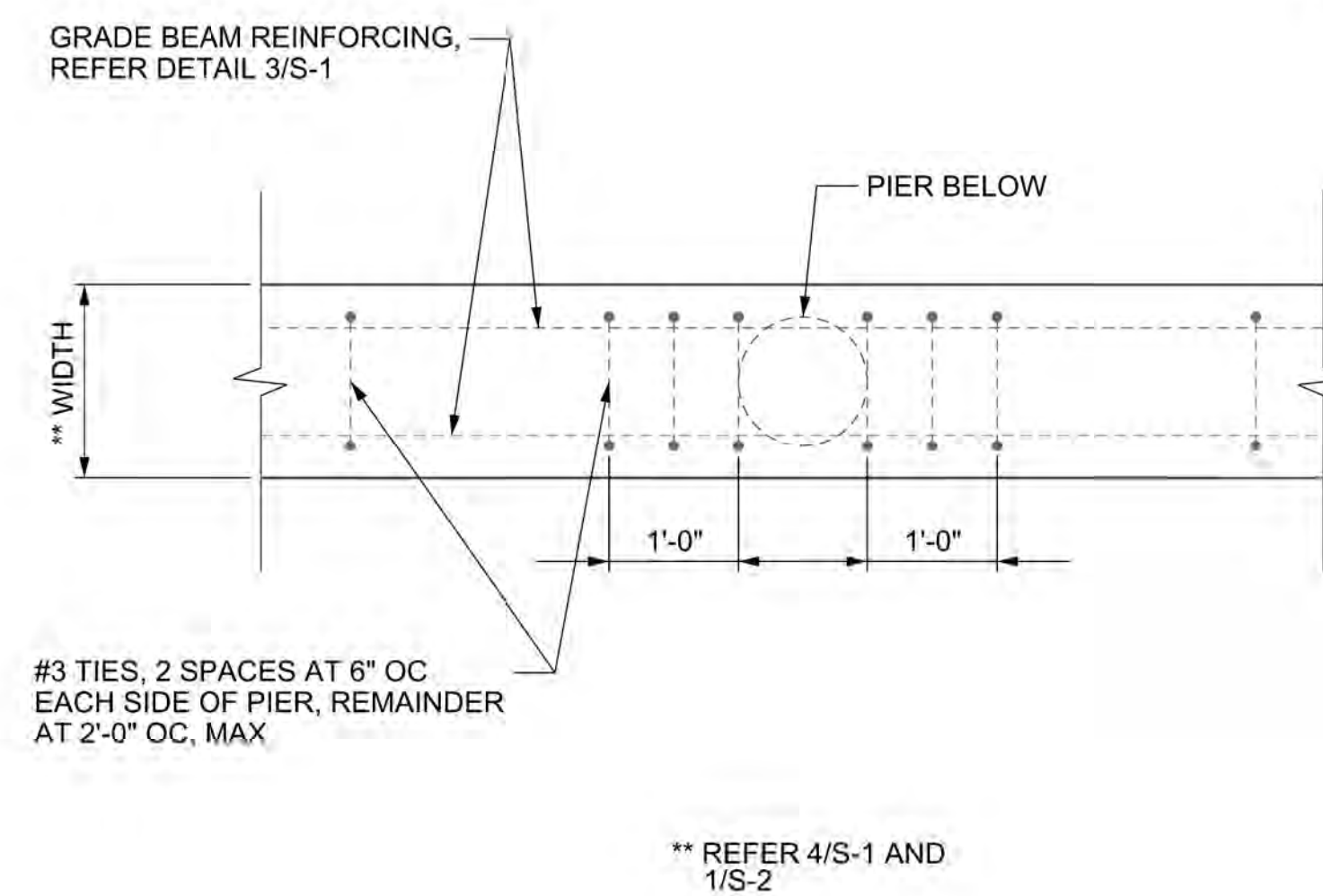
2 HORIZONTAL SECTIONS
SCALE: 3/4" = 1'-0"



3 WALL SECTION
SCALE: 3/4" = 1'-0"



5 FOUNDATION DETAIL
SCALE: NTS



6 FOUNDATION DETAIL
SCALE: 3/4" = 1'-0"

- ▲ ADDED CMU BLOCK. 4-8-14
- ▲ REMOVED NOTE 7-22-14



submittals 7 revisions

no.	date	detail
1	4-8-14	RFI #70
2	7-22-14	RFI #109

la terra studio, inc.

12024
Its project number
4.15.2014
date
bgp
drawn by
bgp
checked by



sheet title
STRUCTURAL DETAILS
sheet number

S-1

PIERCE ENGINEERING
STRUCTURAL ENGINEERING
BUS.: (940) 937-8600 132 N. MAIN STREET
FIRM REG #: F-9186 CHILDRESS, TX 79201