



submittals / revisions

no.	date	detail
1	4-15-14	RFI #39
2	7-22-14	RFI #109

la terra studio, inc.

12024
Its project number

4.15.2014
date

bgp
drawn by

bgp
checked by

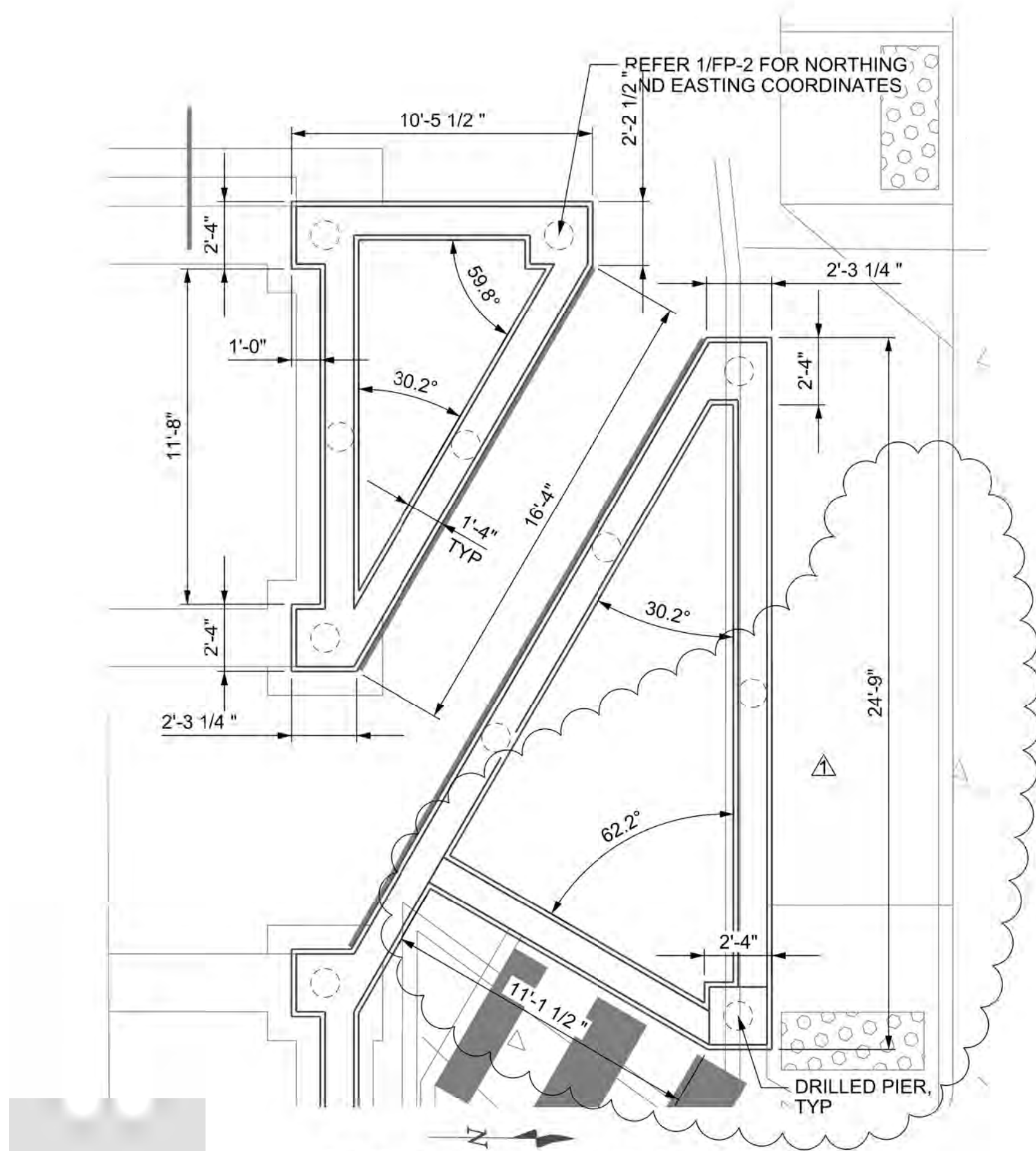
registration



7-23-14

sheet title
ENLARGED STRUCT PLANS
sheet number

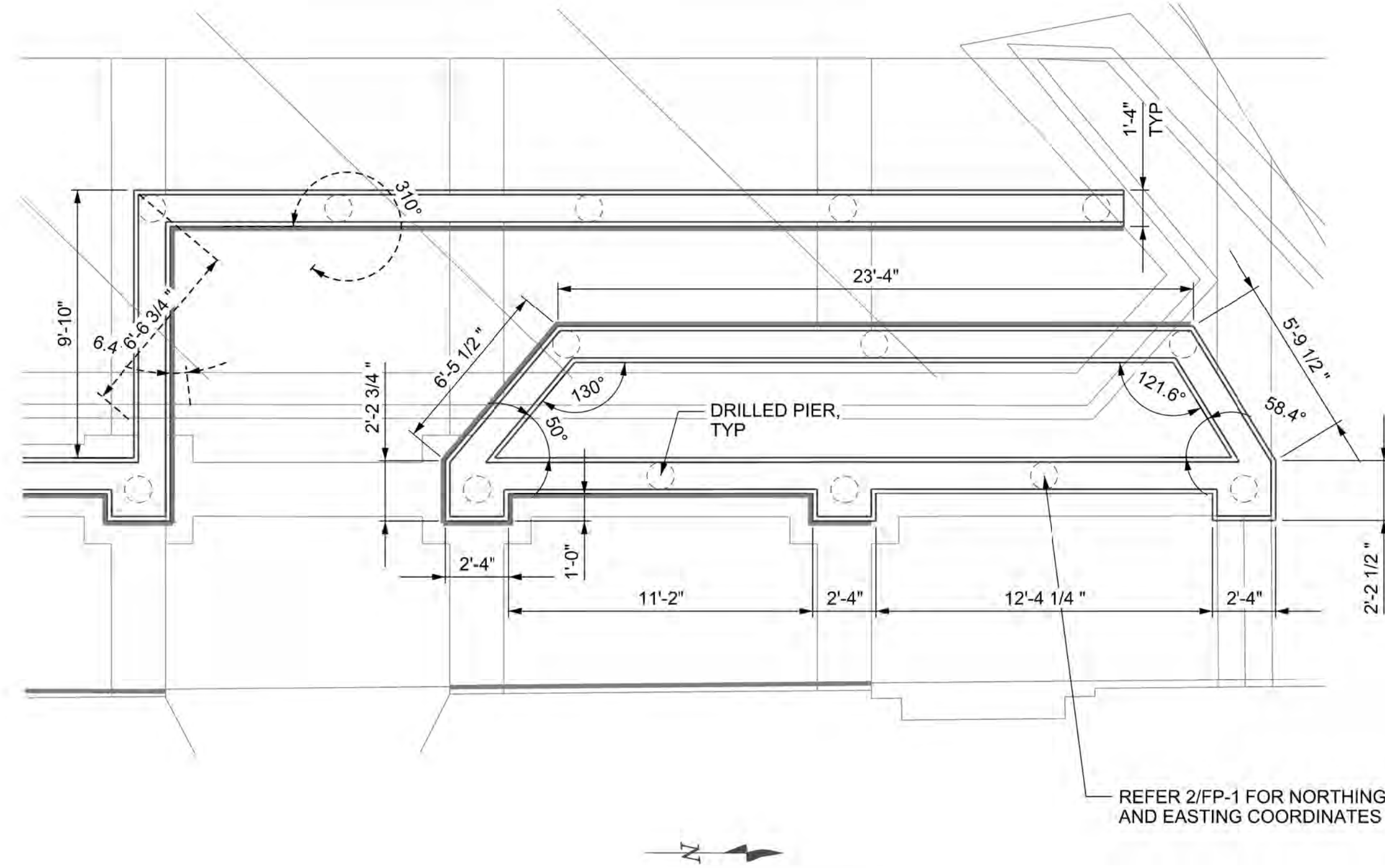
FP-4



ENLARGED STRUCTURAL PLAN

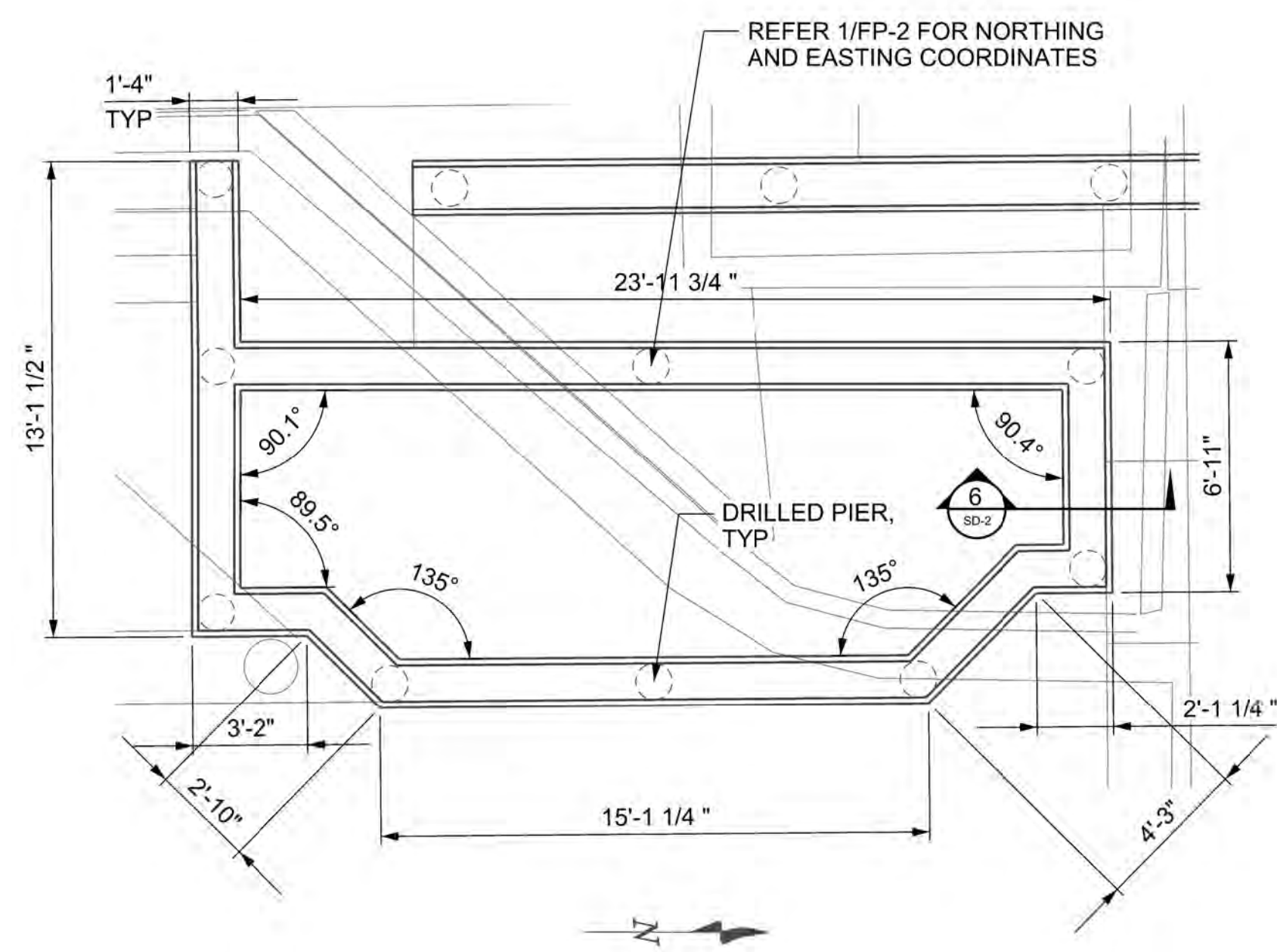
1
FP-4
SCALE: 1/4" = 1'-0"

ALL INTERIOR ANGLES ARE 90°, UNO



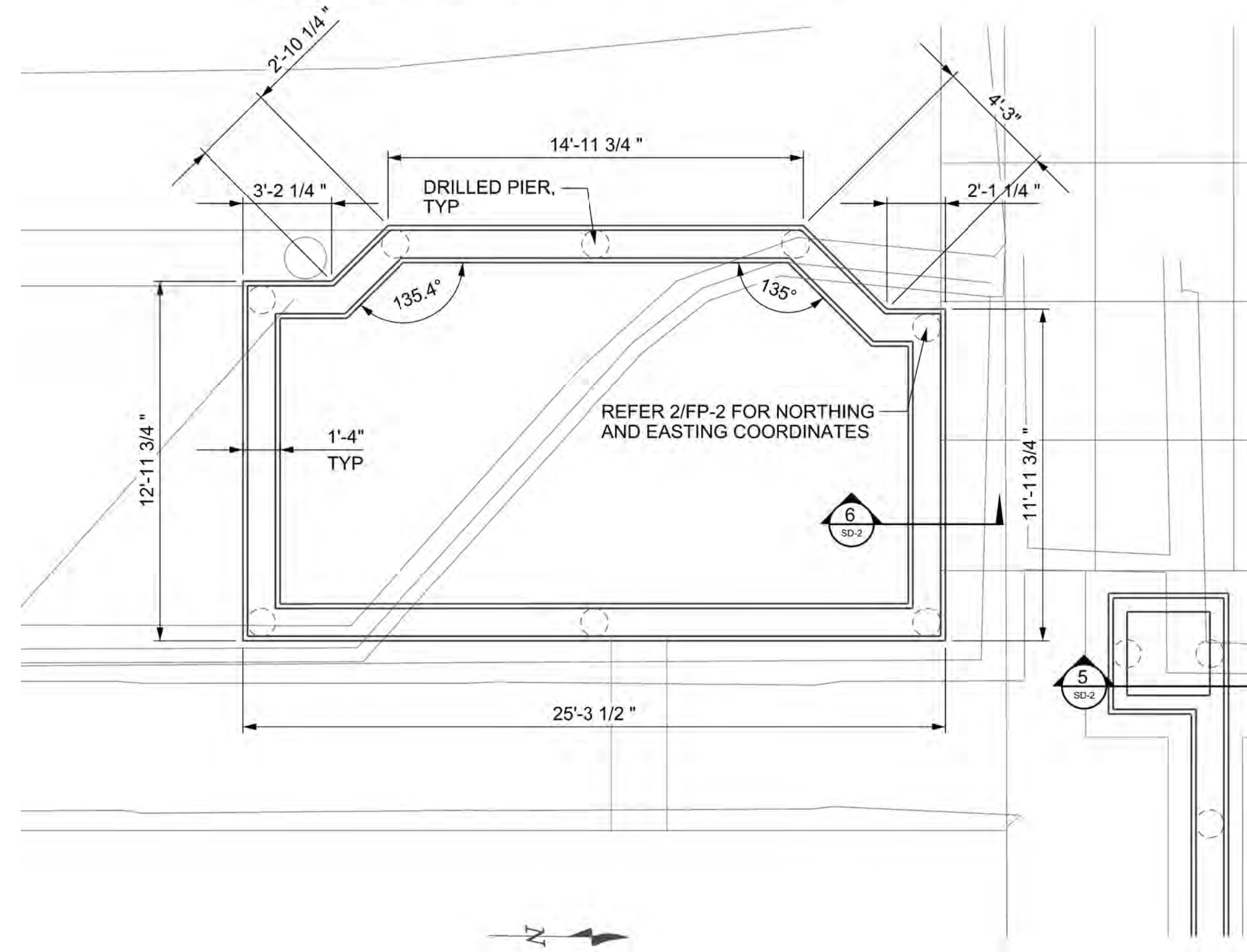
ENLARGED STRUCTURAL PLAN

2
FP-4
SCALE: 1/4" = 1'-0"



BRICK VENEER PLANTER NORTHWEST

3
FP-4
SCALE: 1/4" = 1'-0"



BRICK VENEER PLANTER NORTHEAST

4
FP-4
SCALE: 1/4" = 1'-0"

- △ MODIFIED WALL AND PIER LOCATIONS. 4-15-14
- △ REMOVED NOTE 7-22-14

PIERCE ENGINEERING
STRUCTURAL ENGINEERING
BUS.: (940) 937-8600 132 N. MAIN STREET
FIRM REG #: F-9186 CHILDRESS, TX 79201