



submittals / revisions

no.	date	detail
1	4-8-14	RFI #70
2	7-3-14	RFI #103
3	7-22-14	RFI #104
4	7-22-14	RFI #109

la terra studio, inc.

12024
Its project number
4.15.2014
date
bgp
drawn by
bgp
checked by

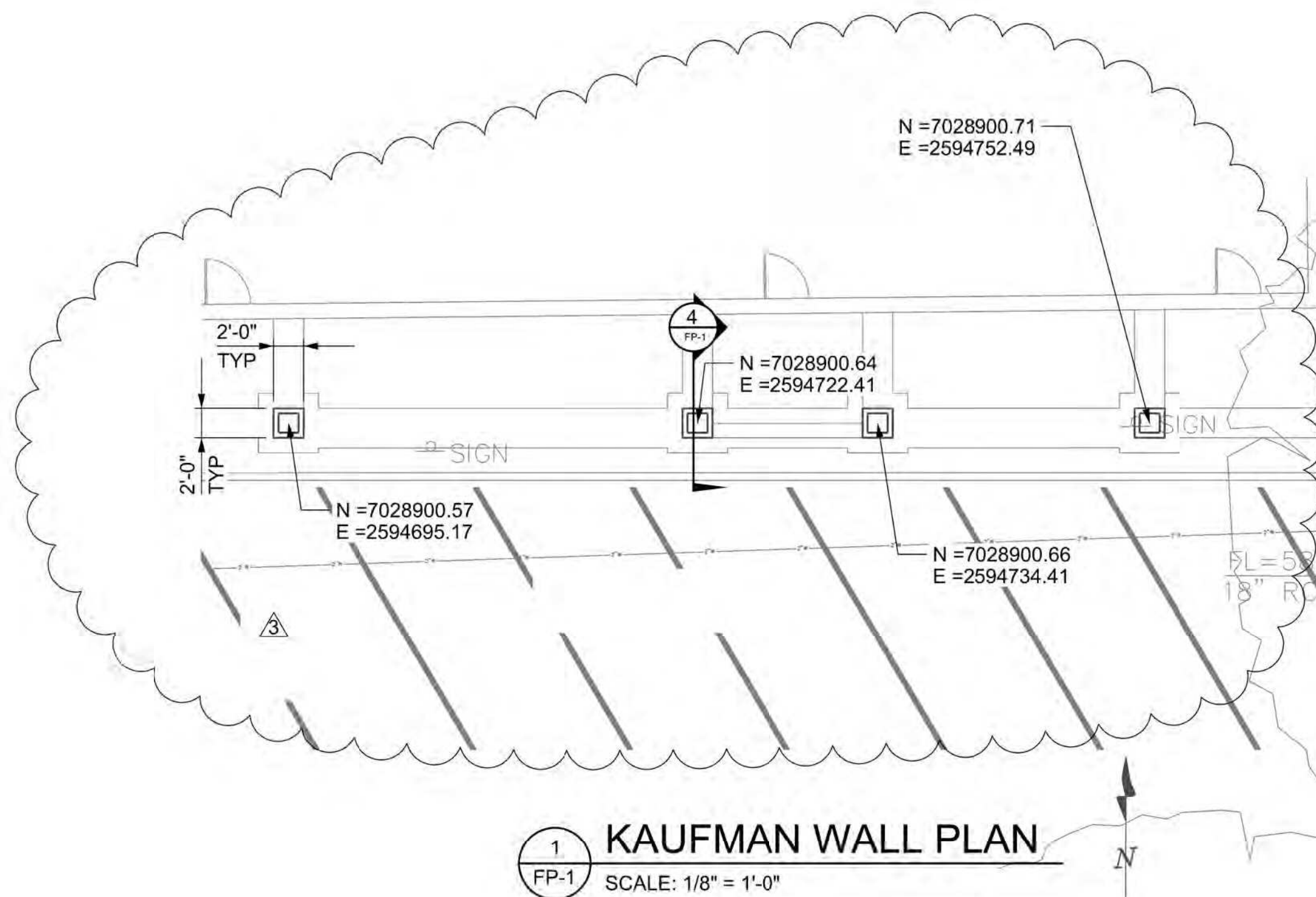
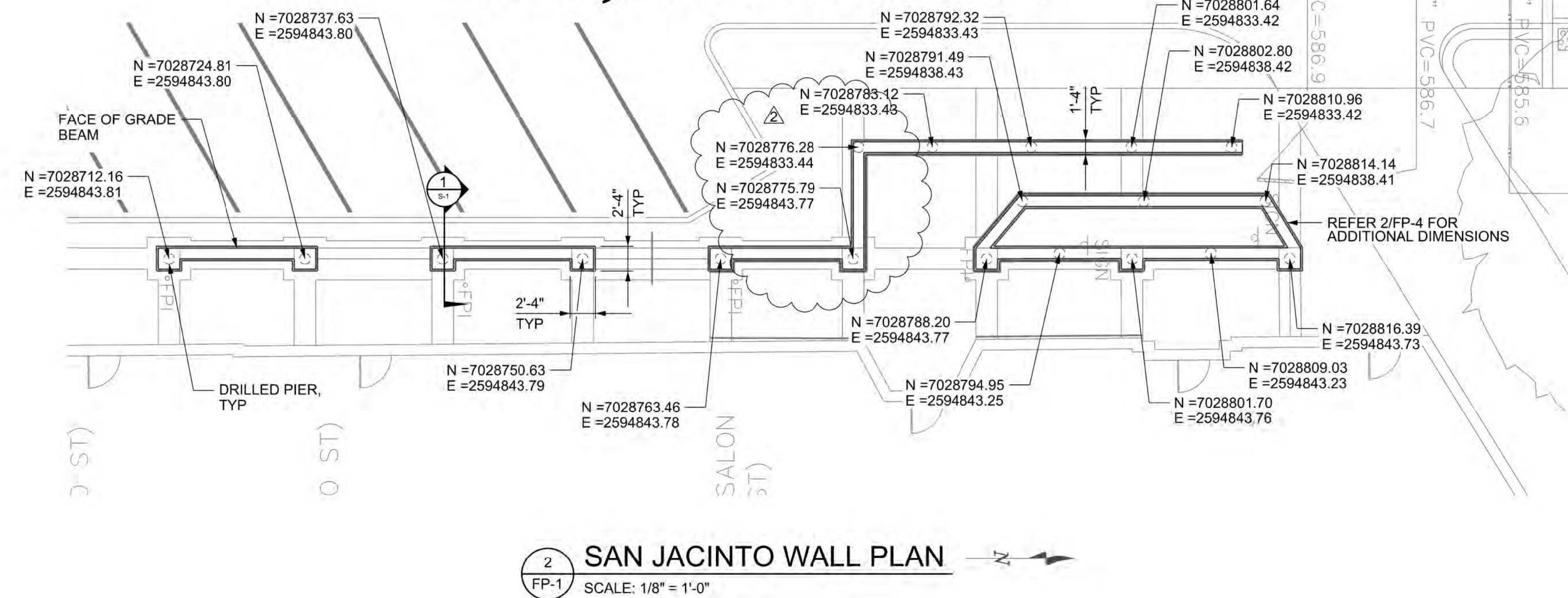
registration



sheet title
FOUNDATION PLAN
sheet number

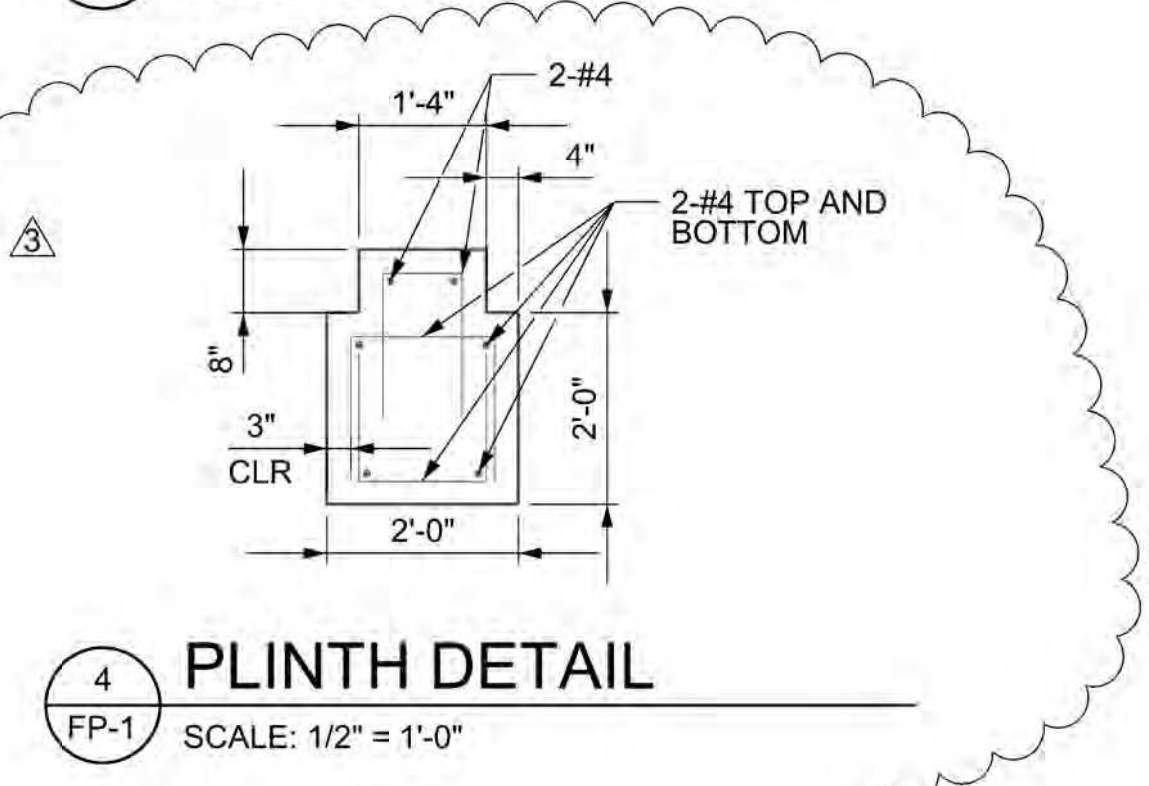
FP-1

SAN JACINTO STREET

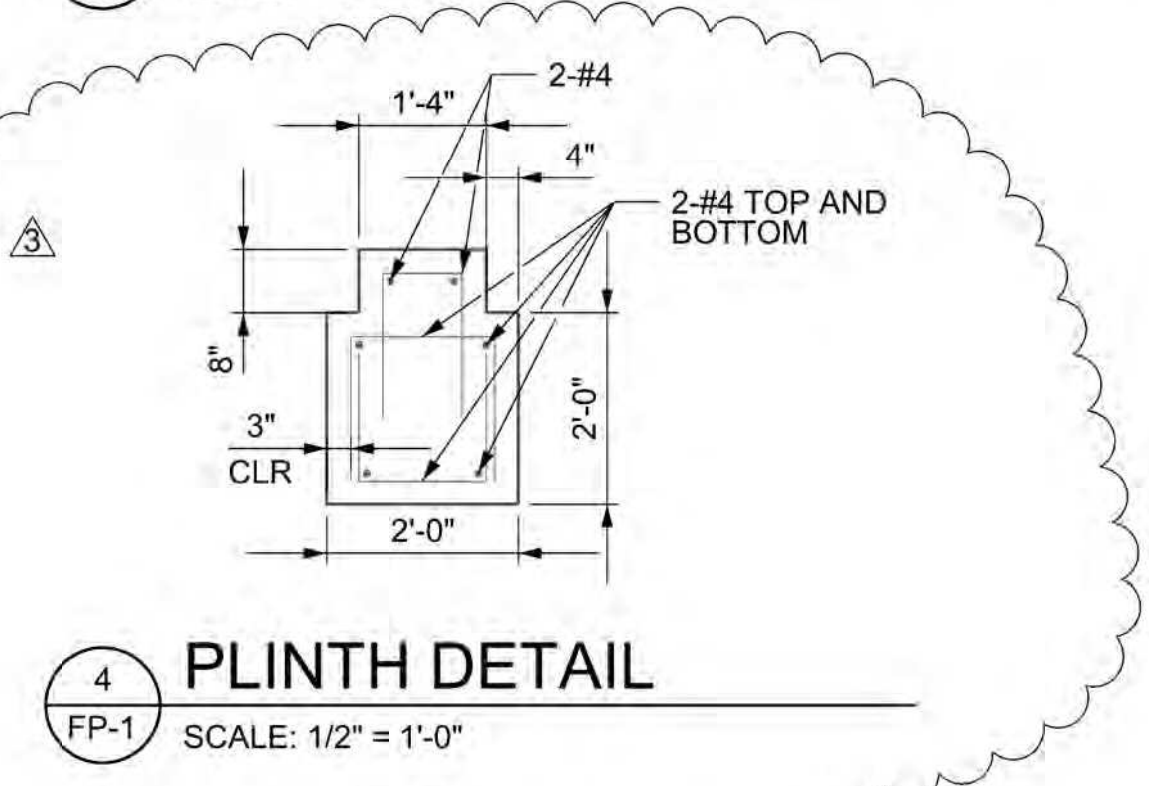


GOLIAD STREET

3
FP-1 SCALE: 1/8" = 1'-0"



4
FP-1 SCALE: 1/2" = 1'-0"



PIERCE ENGINEERING
STRUCTURAL ENGINEERING
BUS.: (940) 937-8600 132 N. MAIN STREET
FIRM REG #: F-9186 CHILDRESS, TX 79201