



submittals / revisions

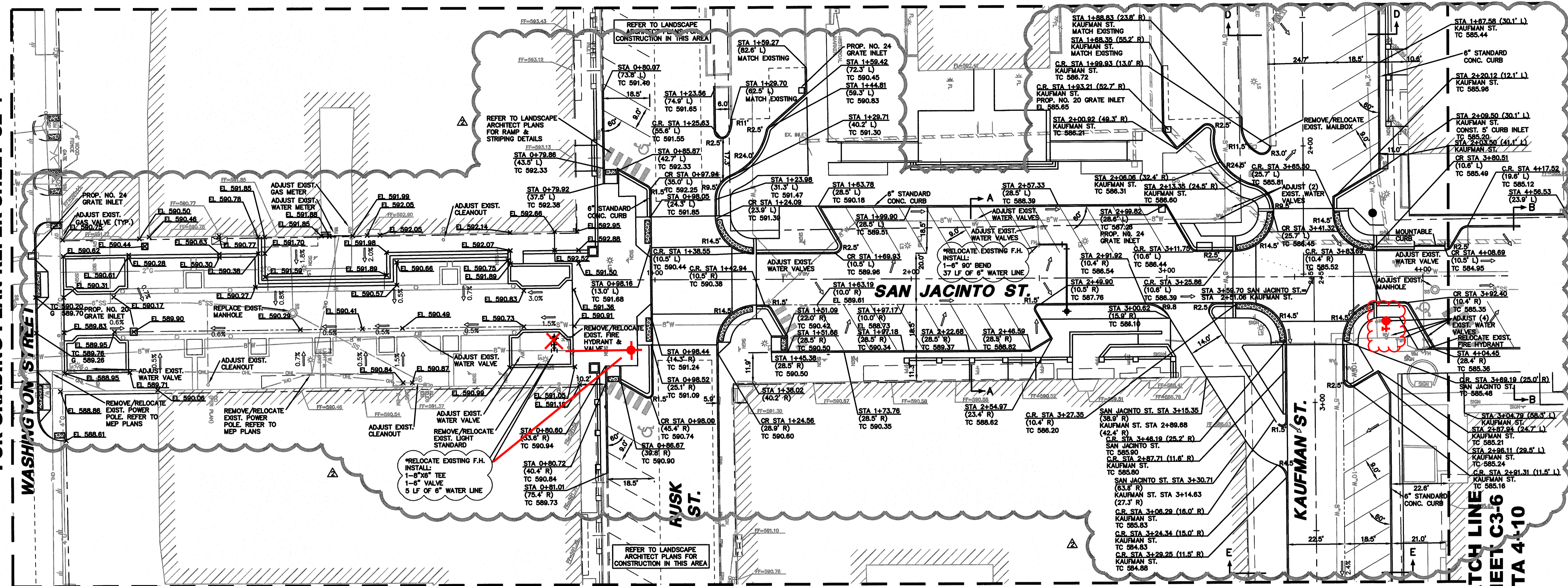
no.	date	detail
12/11/13		ADDENDUM #2
7/1/14		LASI #7

la terra studio, inc.
 12024
 Its project number
 02.26.2014
 date
 JHB
 drawn by
 CMJ
 checked by
 registration

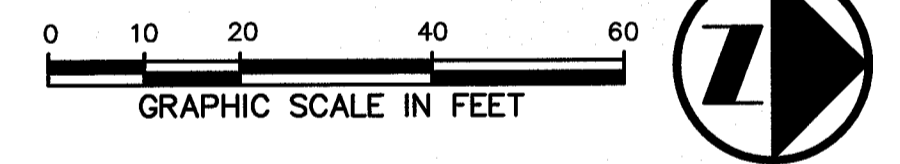
sheet title
ROAD PLAN
 sheet number
C3-5

MATCH LINE - SHEET C3-2 STA. 1+45

MATCH LINE - SHEET C3-4
 FOR GRADING PLAN REFER SHEET C2-4



MATCH LINE - SHEET C3-7 STA. 3+70

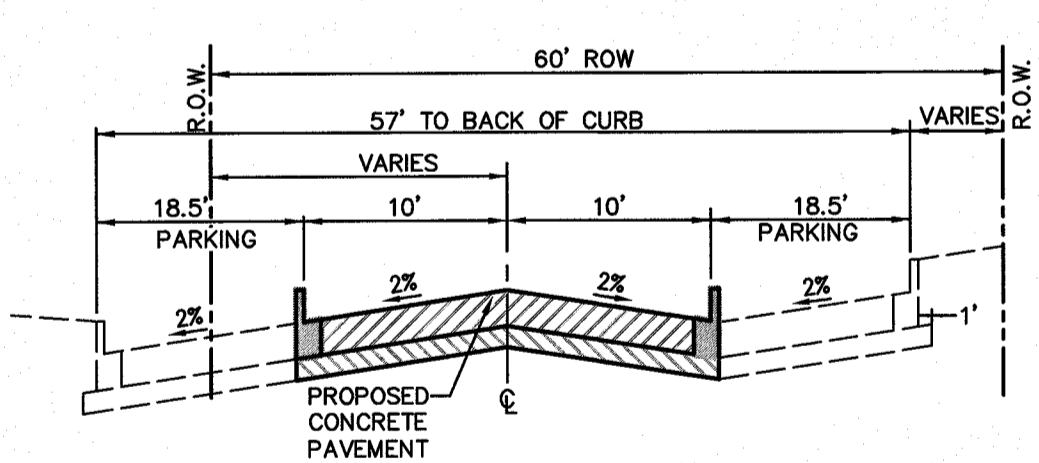


MATCH LINE
 SHEET C3-6
 STA 4+10

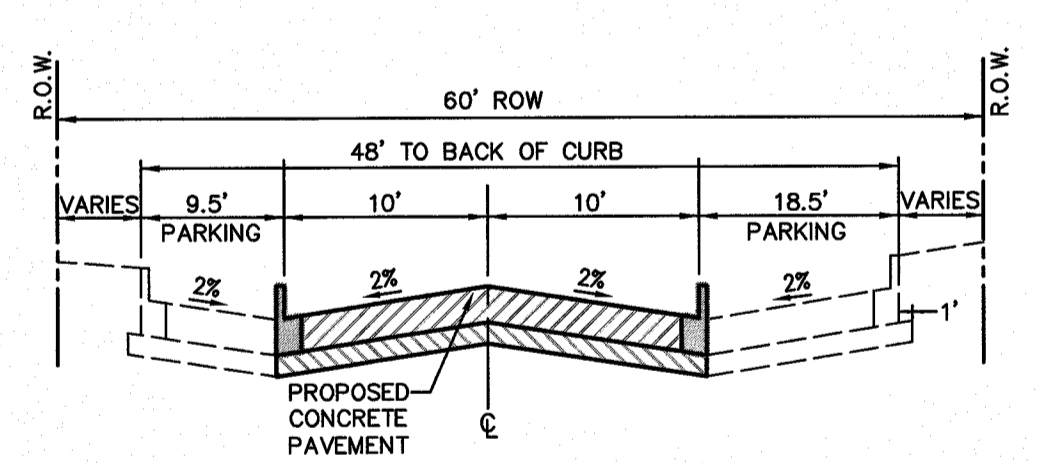
LEGEND

B	BOLLARD	TSP	TRAFFIC SIGNAL POLE
EM	ELECTRIC METER	TEL	TELEPHONE BOX
PP	POWER POLE	FL	FLOOD LIGHT
LS	LIGHT STANDARD	FP	FLAG POLE
WM	WATER METER	SN	TRAFFIC SIGN
WV	WATER VALVE	IRS	1/2-INCH IRON ROD
ICV	IRRIGATION CONTROL VALVE	W/P	"PACHECO KOCH" CAP SET
FR	FIRE HYDRANT	(C.M.)	CONTROLLING MONUMENT
CL	CLEANOUT	-	PROPERTY LINE
MA	MANHOLE	-	FENCE
TC	TRAFFIC SIGNAL CONTROL	-	OVERHEAD UTILITY LINE
		-	PROPOSED FENCE

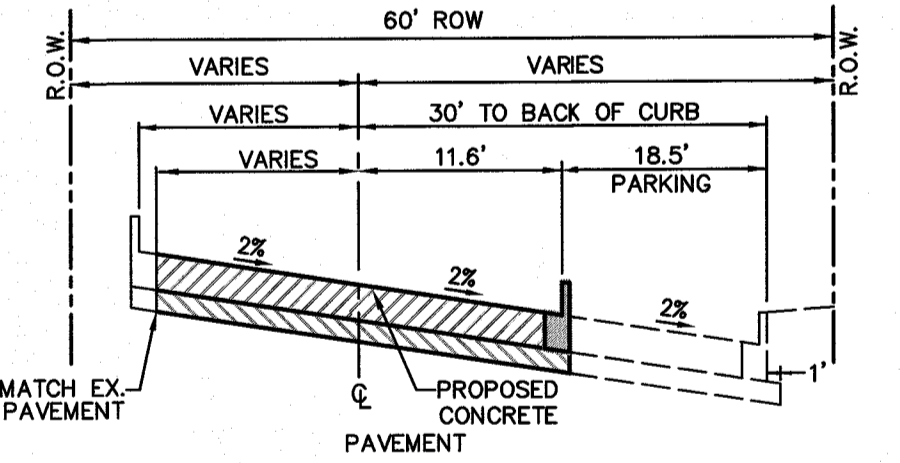
ALL DIMENSIONS ARE TO BACK-OF-CURB UNLESS OTHERWISE NOTED.



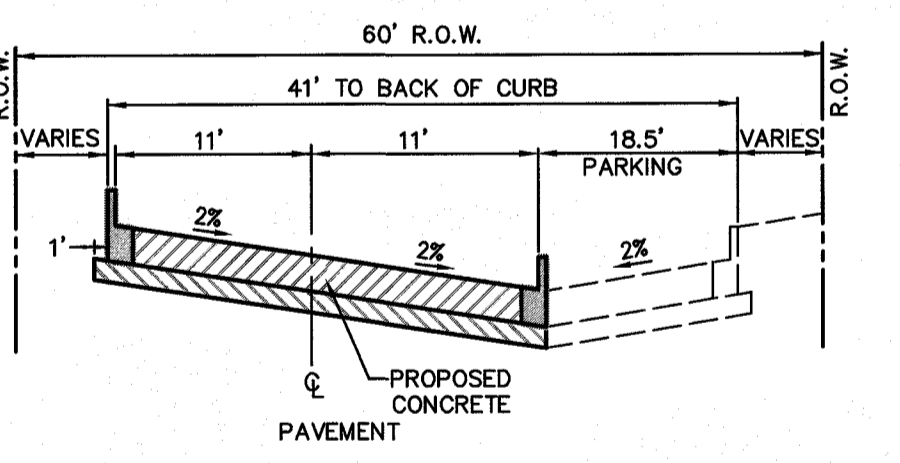
TYPICAL SECTION "A"
 SAN JACINTO STREET
 STA. 1+40 - STA. 3+25



TYPICAL SECTION "B"
 SAN JACINTO STREET
 STA. 3+80 - STA. 5+50



TYPICAL SECTION "D"
 KAUFMAN STREET
 STA. 0+60 - STA. 2+20



TYPICAL SECTION "E"
 KAUFMAN STREET
 STA. 2+90 - STA. 4+84

BENCH MARK LIST

BM# 1	"+" SET IN BOX ON CURB INLET ON NORTHWEST CORNER OF ALAMO ST. AND GOLIAD ST.	ELEV=574.54
BM# 2	"+" SET IN BOX ON BACK OF CURB ON SOUTH SIDE OF A CURB RETURN TO A PARKING LOT ON EAST SIDE OF FANNIN ST. ±7 FEET SOUTH OF OLIVE ST.	ELEV=573.63
BM# 3	"+" SET IN BOX ON SOUTH WEST CORNER OF GOLIAD ST. AND KAUFMAN ST. ±40 FEET WEST OF C OF GOLIAD ST. AND ±25 FEET SOUTH OF C OF KAUFMAN	ELEV=587.41
BM# 4	"+" SET IN BOX ON NORTH EAST CORNER OF N. FANNIN ST. AND KAUFMAN ST. ±15 FEET NORTH OF C OF KAUFMAN ST. AND ±30 FEET EAST FROM C OF KAUFMAN ST.	ELEV=578.80
BM# 5	"+" SET IN BOX ON NORTH WEST CORNER OF WASHINGTON ST. ON GOLIAD ST. ±40 FEET WEST OF C OF GOLIAD ST. AND ±25 FEET NORTH OF C OF WASHINGTON ST.	ELEV=595.39
BM# 6	"+" SET IN BOX SOUTH EAST CORNER OF WASHINGTON ST. AND FANNIN ST. ±22 FEET OF C OF FANNIN ST. AND ±45 FEET SOUTH OF C OF WASHINGTON ST.	ELEV=580.69

NOTES:
 1. CONTRACTOR SHALL ADJUST ALL EXISTING VALVES, METERS, CLEANOUTS AND MANHOLES TO PROPOSED GRADE UNLESS OTHERWISE NOTED WITHIN THE CONSTRUCTION AREA. FOR ADJUSTMENT/REMOVAL OF STORM SEWER APPURTENANCES SEE SHEETS C6-4, C6-5, C6-6 AND C6-9.
 2. CONTRACTOR SHALL REMOVE OR RELOCATE ALL EXISTING MAIL BOXES, LIGHT STANDARDS (REFER TO MEP PLANS), UTILITY "WARNING" SIGNS AND TRAFFIC SIGNS WITHIN THE CONSTRUCTION AREA. CONTRACTOR SHALL ALSO COORDINATE THESE ITEMS WITH THE APPROPRIATE OWNER AND/OR PUBLIC ENTITY. CONTRACTOR SHALL COORDINATE THE REMOVAL OR RELOCATION OF POWER POLES WITH ONCOR AND THE ELECTRICAL ENGINEER.

*FIRE HYDRANT SHALL BE A MINIMUM OF 3' TO A MAXIMUM OF 8' FROM FACE OF CURB.

NOTE: CONTRACTOR TO MATCH EXISTING PAVEMENT AT ALL SAWCUT LINES



THE SEAL APPEARING ON THIS DOCUMENT WAS AUTHORIZED BY CHRISTOPHER M. JONES, P.E. 92881 ON 05/12/14. ALTERATION OF A SEALED DOCUMENT WITHOUT PROPER NOTIFICATION TO THE RESPONSIBLE ENGINEER IS AN OFFENSE UNDER THE TEXAS ENGINEERING PRACTICE ACT.

sheet location
 KEY MAP

