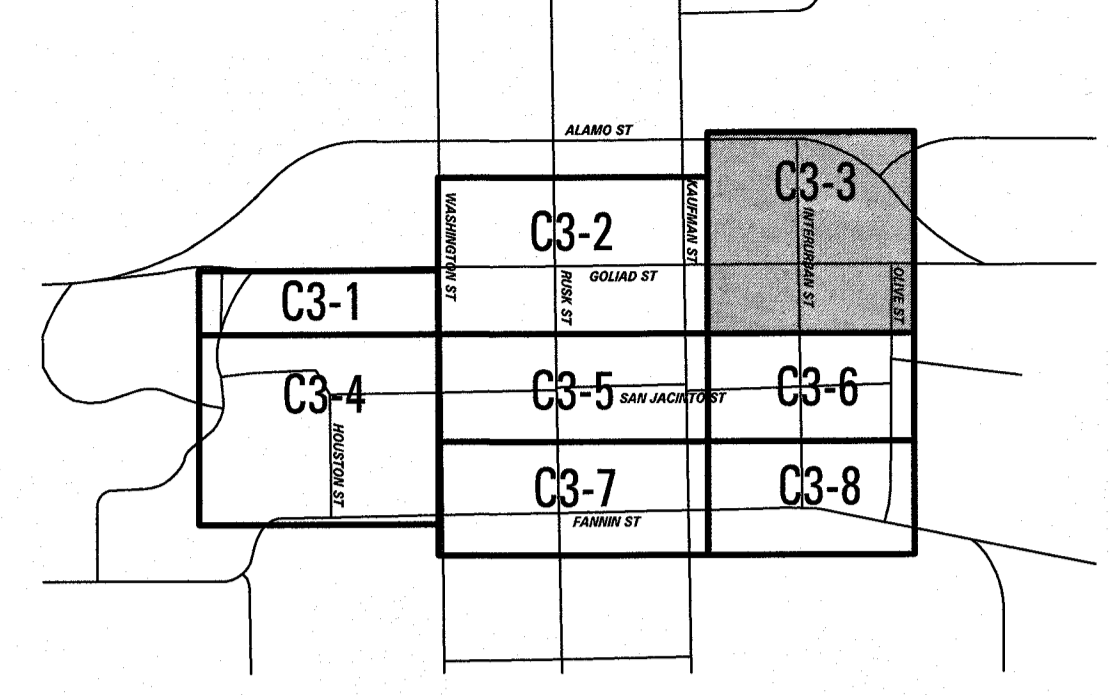
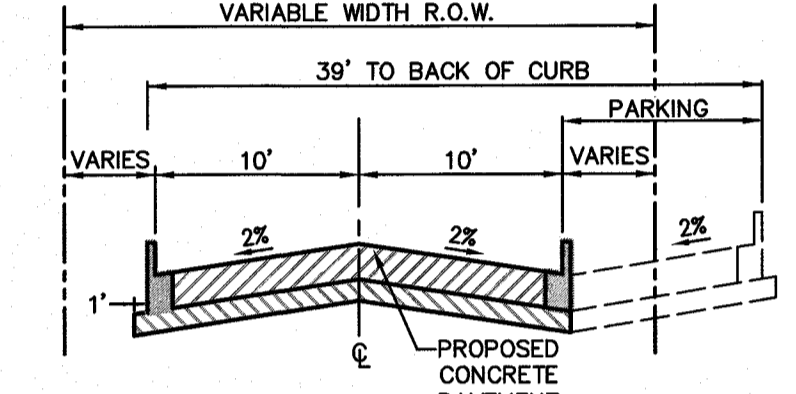


sheet location
KEY MAP

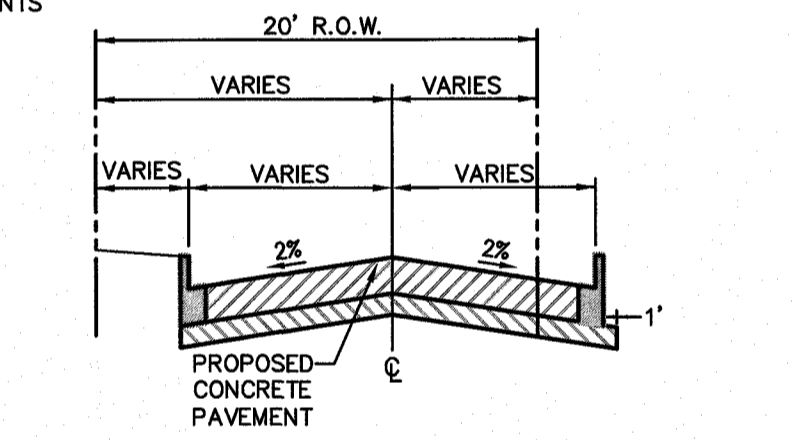


LEGEND

B.	BOLLARD	TSP.	TRAFFIC SIGNAL POLE
EM	ELECTRIC METER	TELE	TELEPHONE BOX
PP.	POWER POLE	FL	FLOOD LIGHT
LS	LIGHT STANDARD	FP	FLAG POLE
WM	WATER METER	SIGN	TRAFFIC SIGN
WV	WATER VALVE	IRS	1/2-INCH IRON ROD W/PACHECO KOCH® CAP SET
ICV	IRRIGATION CONTROL VALVE	(C.M.)	CONTROLLING MONUMENT
FH	FIRE HYDRANT	---	PROPERTY LINE
CO	CLEANOUT	-X-	FENCE
MH	MANHOLE	OHL	OVERHEAD UTILITY LINE
TSC	TRAFFIC SIGNAL CONTROL	-X-	PROPOSED FENCE



TYPICAL SECTION "G"
INTERURBAN STREET
STA. 0+30 - STA. 2+00



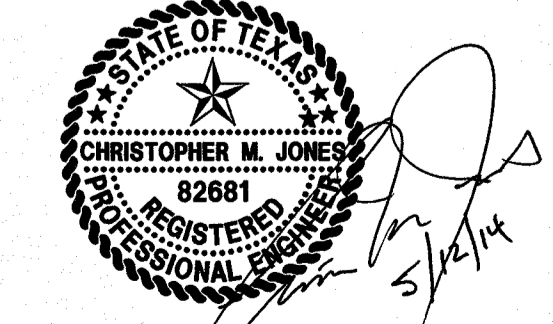
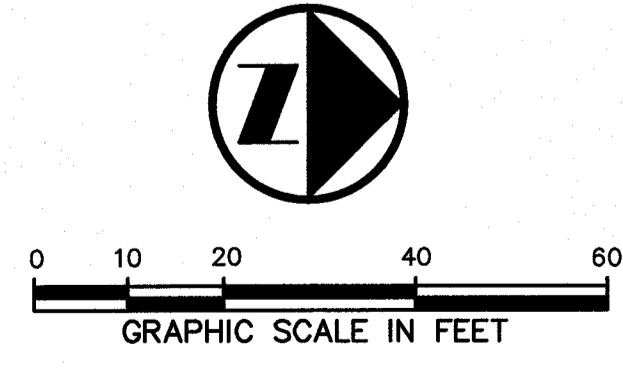
BENCH MARK LIST

NO.	DATE	DETAIL
▲	7/11/14	LAS #7

BM# 1	"+" SET IN BOX ON CURB INLET ON NORTHWEST CORNER OF ALAMO ST. AND GOLIAD ST. ELEV=474.54
BM# 2	"+" SET IN BOX ON BACK OF CURB ON SOUTH SIDE OF A CURB RETURN TO A PARKING LOT ON EAST SIDE OF FANNIN ST. ±7 FEET SOUTH OF OLIVE ST. ELEV=573.63
BM# 3	"+" SET IN BOX ON SOUTH WEST CORNER OF GOLIAD ST. AND KAUFMAN ST. ±40 FEET WEST OF ☉ OF GOLIAD ST. AND ±25 FEET SOUTH OF ☉ OF KAUFMAN ELEV=587.41
BM# 4	"+" SET IN BOX ON NORTH EAST CORNER OF N. FANNIN ST. AND KAUFMAN ST. ±15 FEET NORTH OF ☉ OF KAUFMAN ST. AND ±30 FEET EAST FROM ☉ OF KAUFMAN ST. ELEV=578.80
BM# 5	"+" SET IN BOX ON NORTH WEST CORNER OF WASHINGTON ST. ON GOLIAD ST. ±40 FEET WEST OF ☉ OF GOLIAD ST. AND ±25 FEET NORTH OF ☉ OF WASHINGTON ST. ELEV=595.39
BM# 6	"+" SET IN BOX SOUTH EAST CORNER OF WASHINGTON ST. AND FANNIN ST. ±22 FEET OF ☉ OF FANNIN ST. AND ±45 FEET SOUTH OF ☉ OF WASHINGTON ST. ELEV=580.69

NOTE: CONTRACTOR TO MATCH EXISTING PAVEMENT AT ALL SAWCUT LINES

ALL DIMENSIONS ARE TO BACK-OF-CURB UNLESS OTHERWISE NOTED.



THE SEAL APPEARING ON THIS DOCUMENT WAS AUTHORIZED BY CHRISTOPHER M. JONES, P.E. 82681 ON 05/12/14. ALTERATION OF A SEALED DOCUMENT WITHOUT PROPER NOTIFICATION TO THE RESPONSIBLE ENGINEER IS AN OFFENSE UNDER THE TEXAS ENGINEERING PRACTICE ACT.