

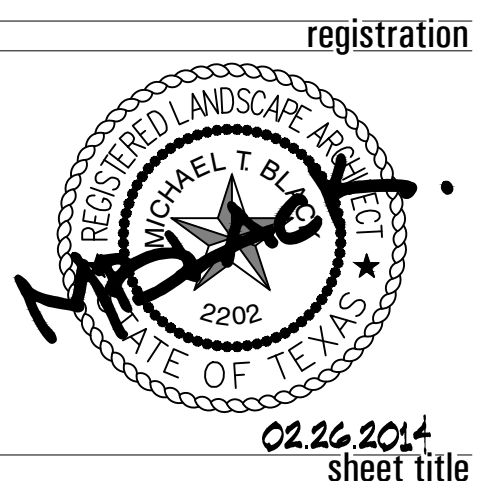


submittals / revisions

no.	date	detail
△	06/17/14	RFI #93
△	09/10/15	RFI #38
△	10/26/15	RFI #211
△	12/02/15	LASI #23

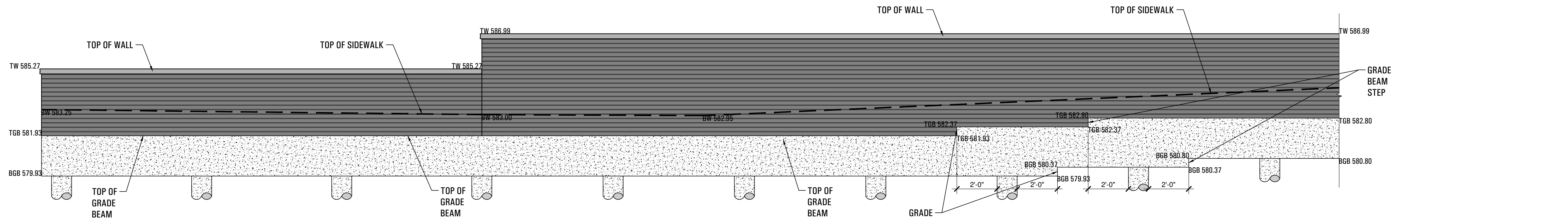
la terra studio, inc.

12024  
 its project number  
 02.26.2014  
 date  
 rac; bhm  
 drawn by  
 mtb  
 checked by

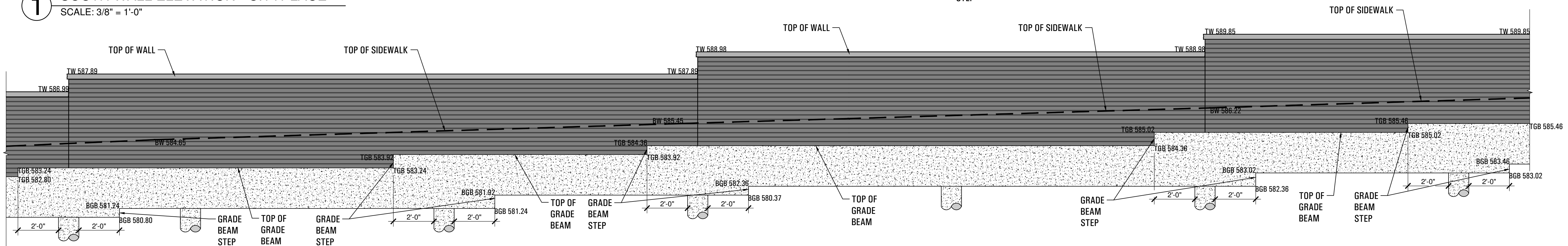


Site Details  
 sheet number

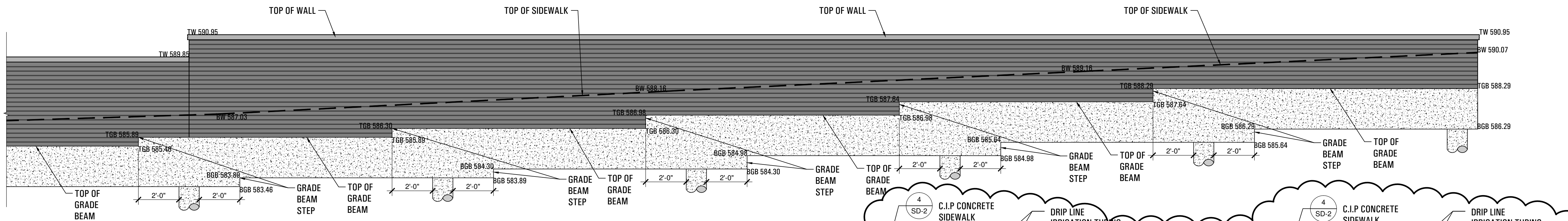
**SD-9**



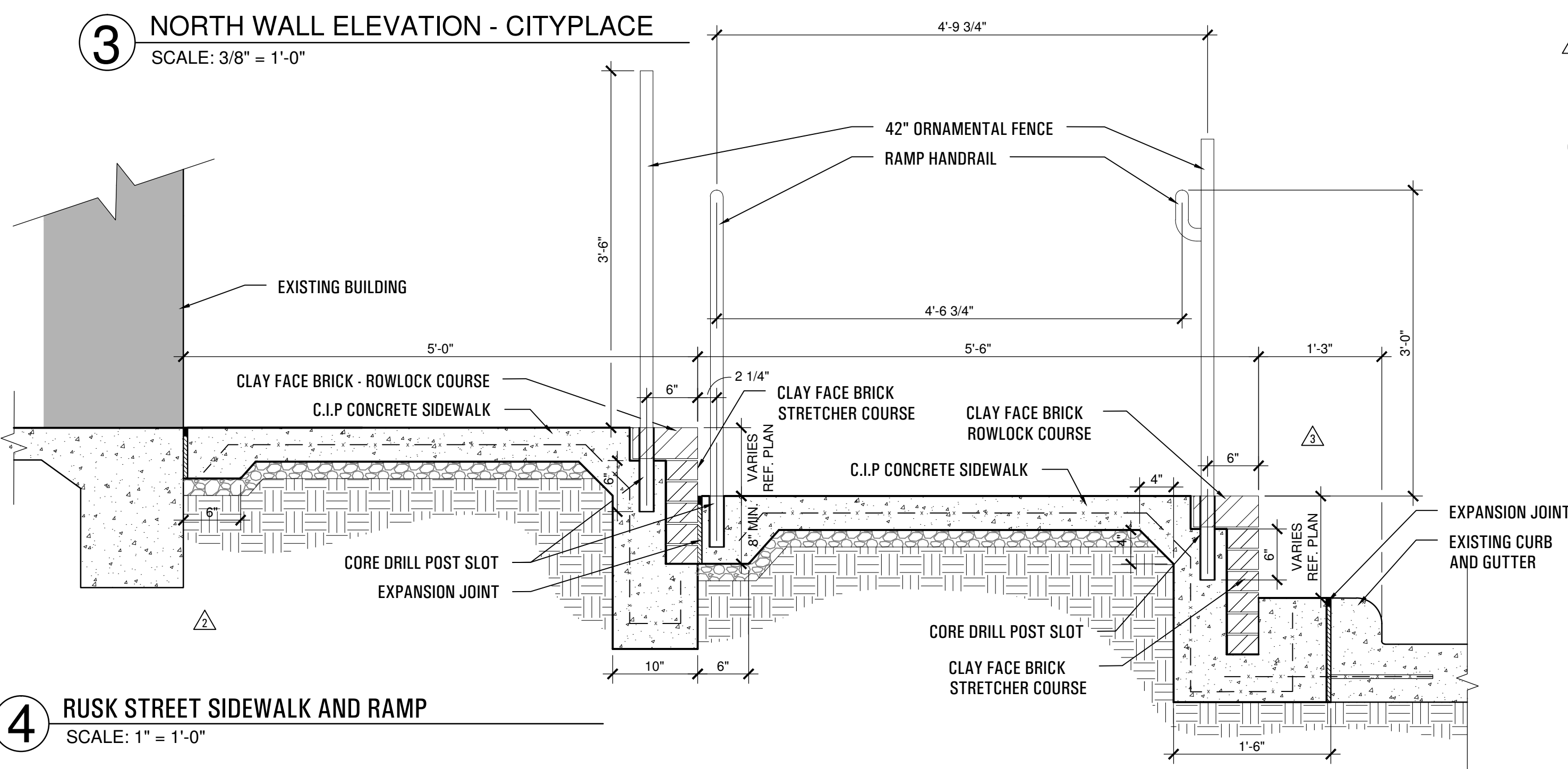
**1** SOUTH WALL ELEVATION - CITYPLACE  
 SCALE: 3/8" = 1'-0"



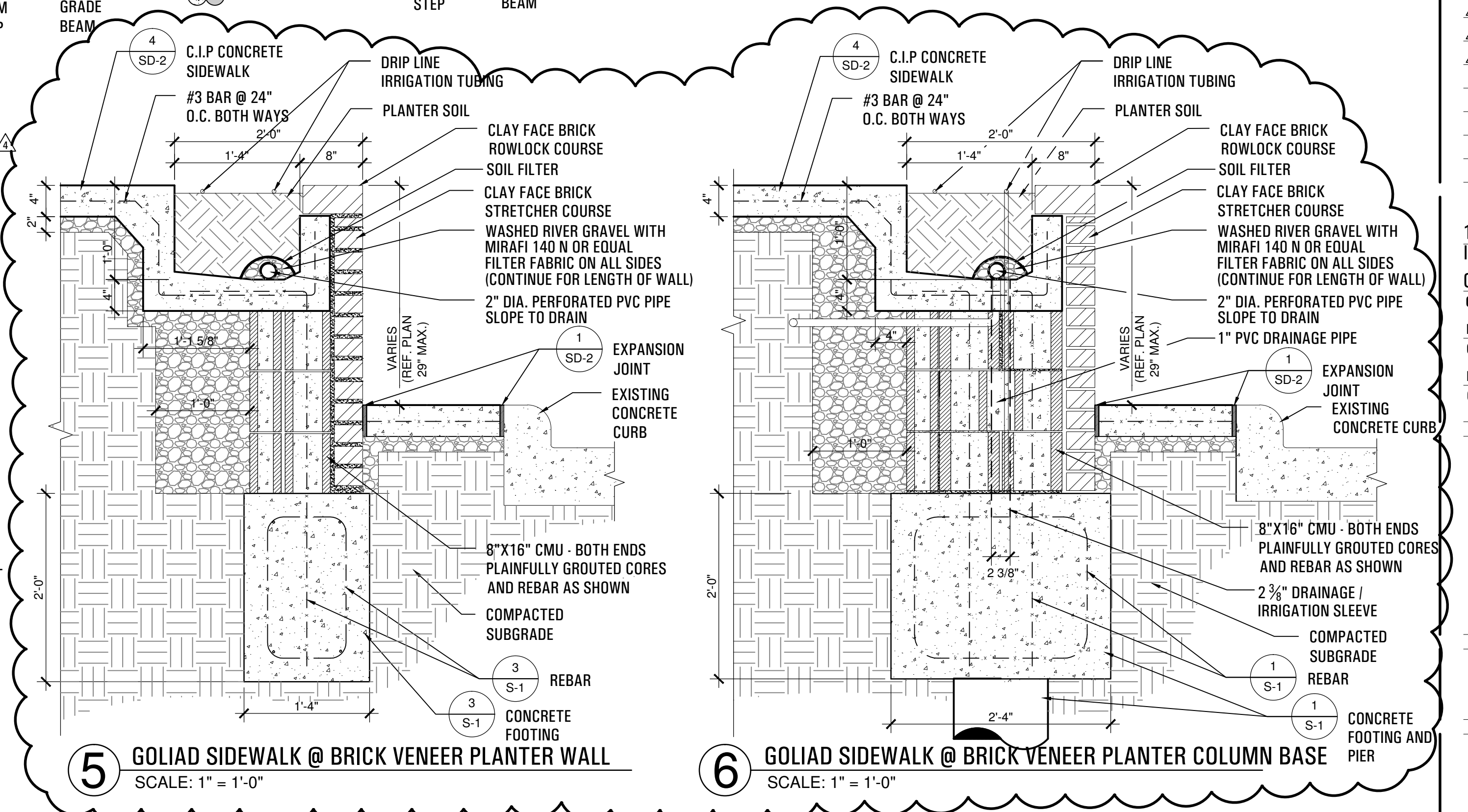
**2** WALL ELEVATION - CITYPLACE  
 SCALE: 3/8" = 1'-0"



**3** NORTH WALL ELEVATION - CITYPLACE  
 SCALE: 3/8" = 1'-0"



**4** RUSK STREET SIDEWALK AND RAMP  
 SCALE: 1" = 1'-0"



**5** GOLIAD SIDEWALK @ BRICK VENEER PLANTER WALL  
 SCALE: 1" = 1'-0"

**6** GOLIAD SIDEWALK @ BRICK VENEER PLANTER COLUMN BASE  
 SCALE: 1" = 1'-0"