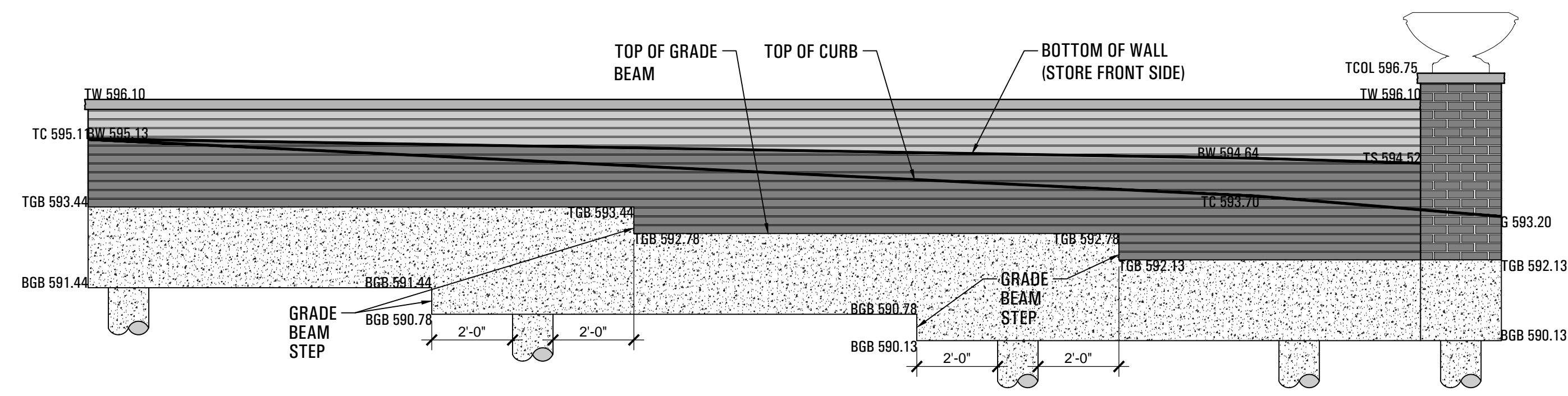
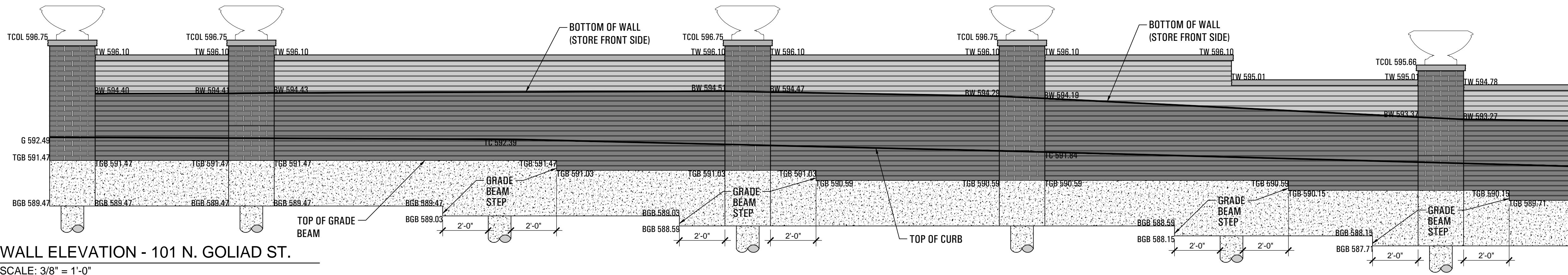


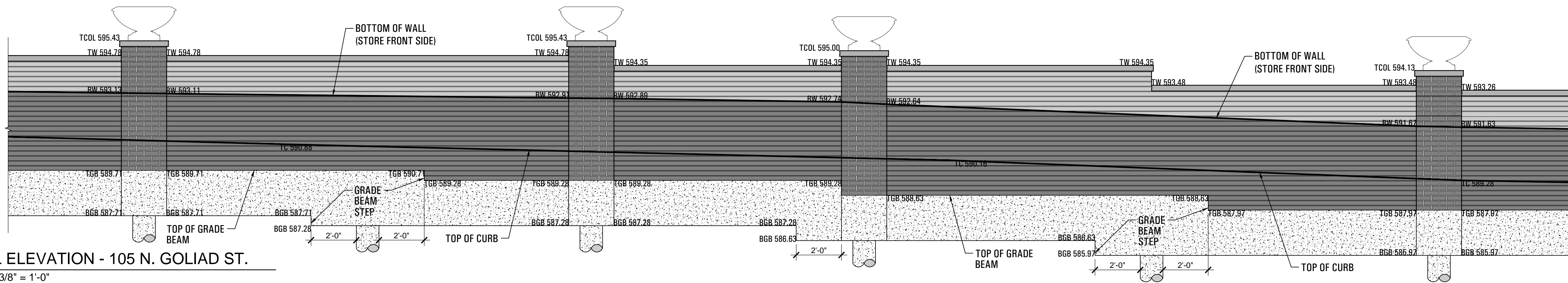
© 2013 la terra studio, inc. All Rights Reserved FILE: P:\12024-Downtown Rockwall PS&E - Rockwall\CAD\Sheet\12024-Strt Details_12.dwg



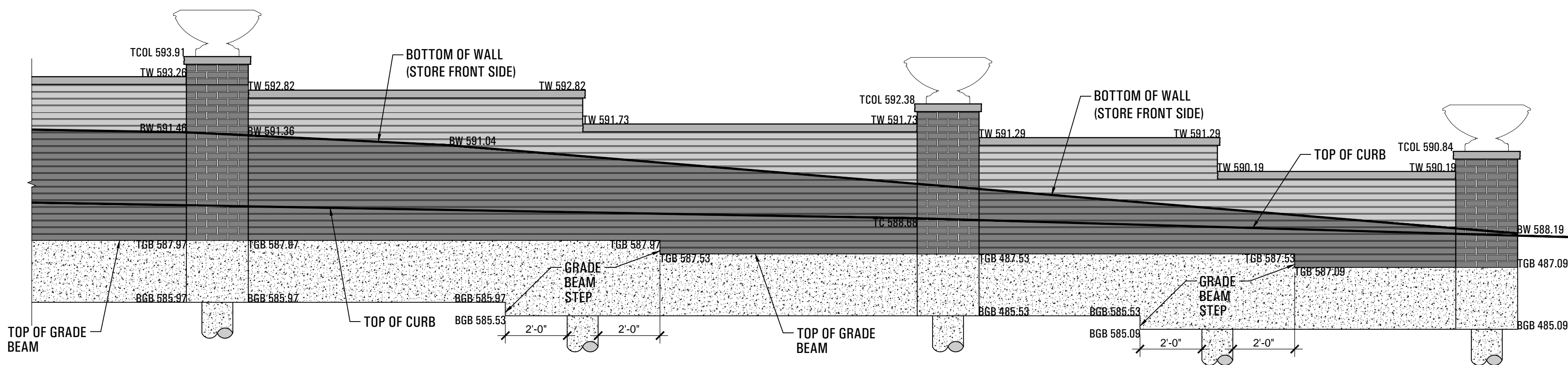
1 WALL ELEVATION - 101 E. RUSK ST.
SCALE: 3/8" = 1'-0"



2 WALL ELEVATION - 101 N. GOLIAD ST.
SCALE: 3/8" = 1'-0"



3 WALL ELEVATION - 105 N. GOLIAD ST.
SCALE: 3/8" = 1'-0"



4 WALL ELEVATION - 109 N. GOLIAD ST.
SCALE: 3/8" = 1'-0"



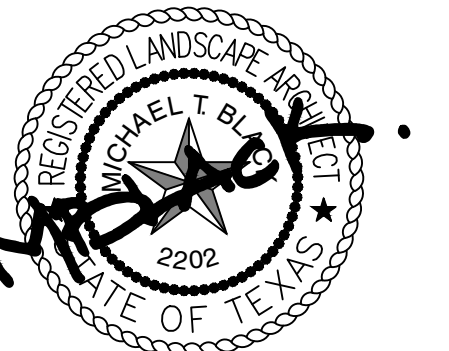
submittals / revisions

no.	date	detail
1	06/04/15	LASI #18

la terra studio, inc.

12024
its project number
02.26.2014
date
rac; bhm
drawn by
mtb
checked by

registration



02.26.2014
sheet title

Site Details
sheet number

SD-12