

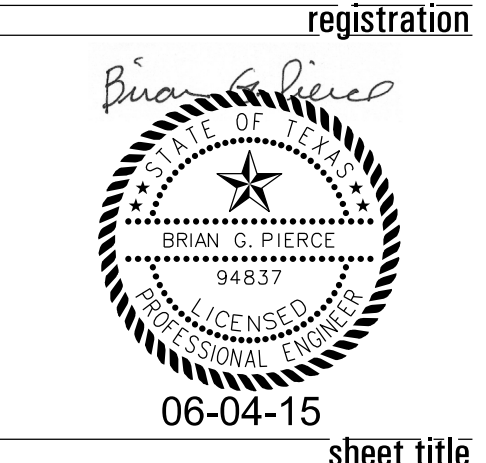


submittals / revisions

no.	date	detail
1	4-8-14	RFI #70
2	7-3-14	RFI #103
3	7-22-14	RFI #104
4	7-22-14	RFI #109
5	6-04-15	LASI #18

la terra studio, inc.

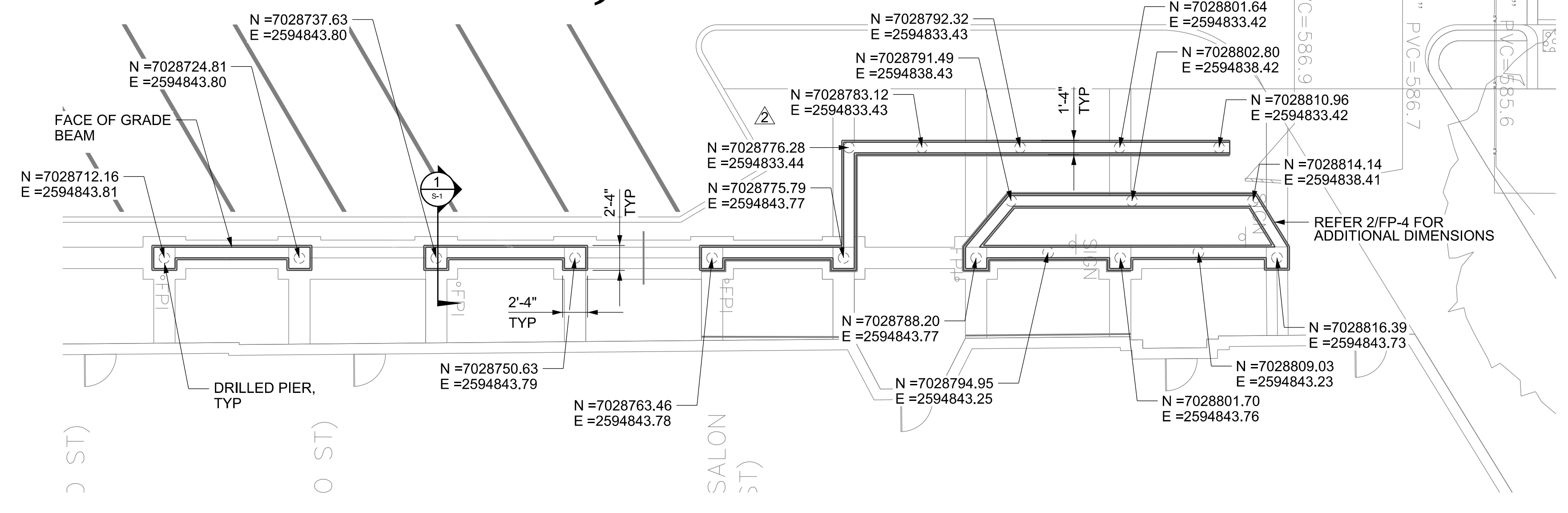
12024
Its project number
4.15.2014
date
bgp
drawn by
bgp
checked by



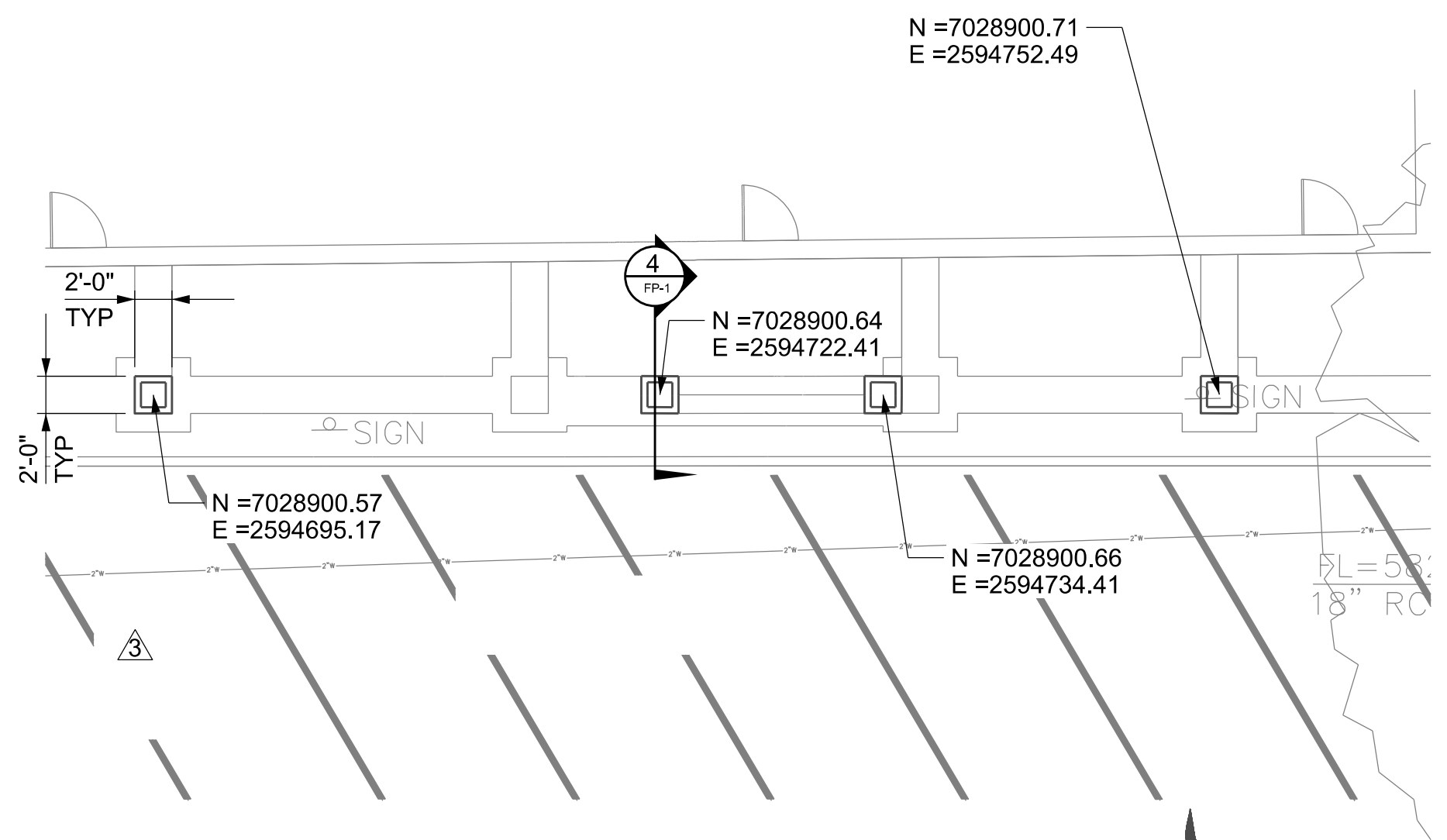
06-04-15
sheet title
FOUNDATION PLAN
sheet number

FP-1

SAN JACINTO STREET

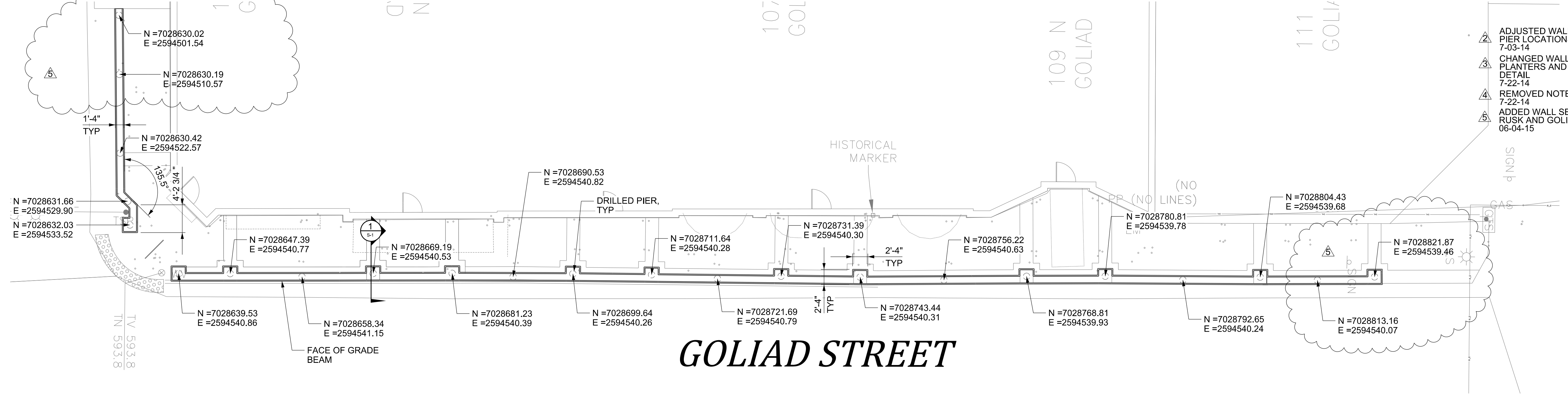


2 SAN JACINTO WALL PLAN
SCALE: 1/8" = 1'-0"

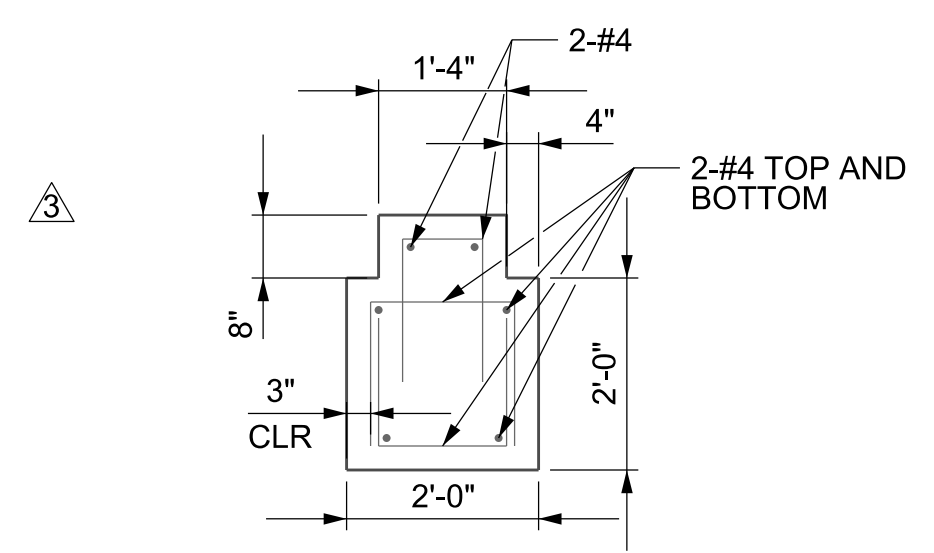


1 KAUFMAN WALL PLAN
SCALE: 1/8" = 1'-0"

GOLIAD STREET



3 GOLIAD WALL PLAN
SCALE: 1/8" = 1'-0"



4 PLINTH DETAIL
SCALE: 1/2" = 1'-0"

PIERCE ENGINEERING
STRUCTURAL ENGINEERING
BUS.: (940) 937-8600 132 N. MAIN STREET
FIRM REG #: F-9186 CHILDRESS, TX 79201