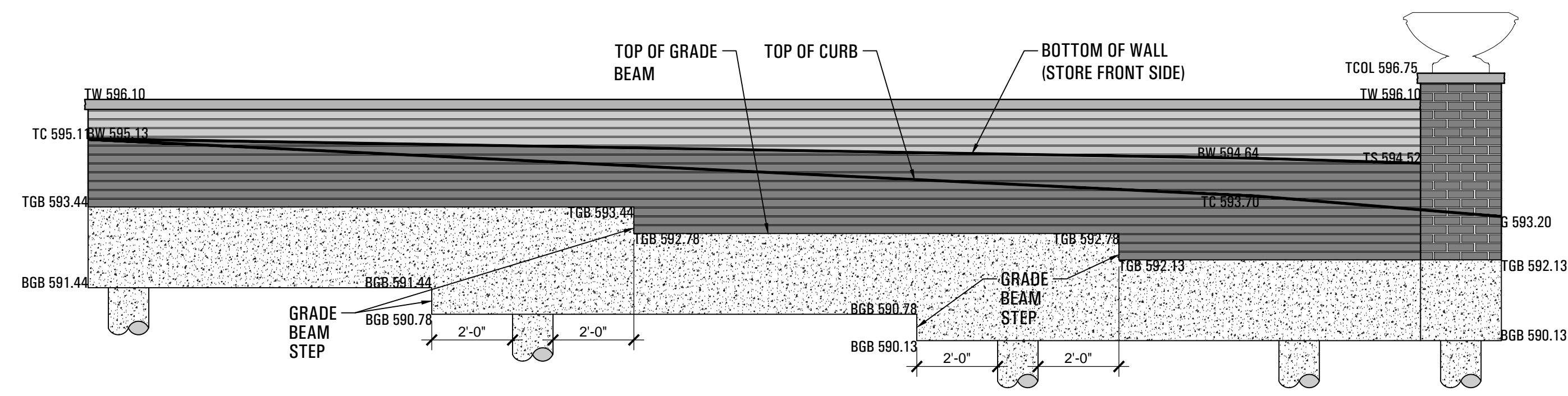
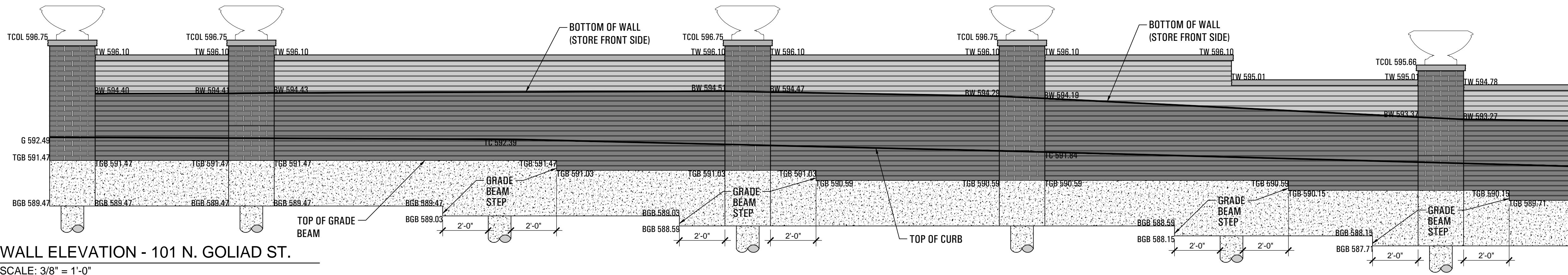


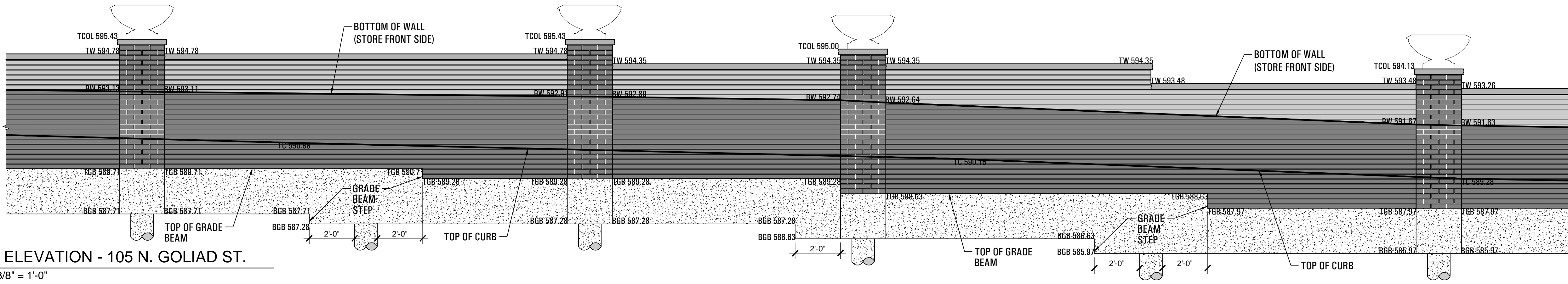
© 2013 la terra studio, inc. All Rights Reserved FILE:R:\12024-Downtown Rockwall PS&E - Rockwall\CAD\SHEET\12024-Strt Details_12.dwg



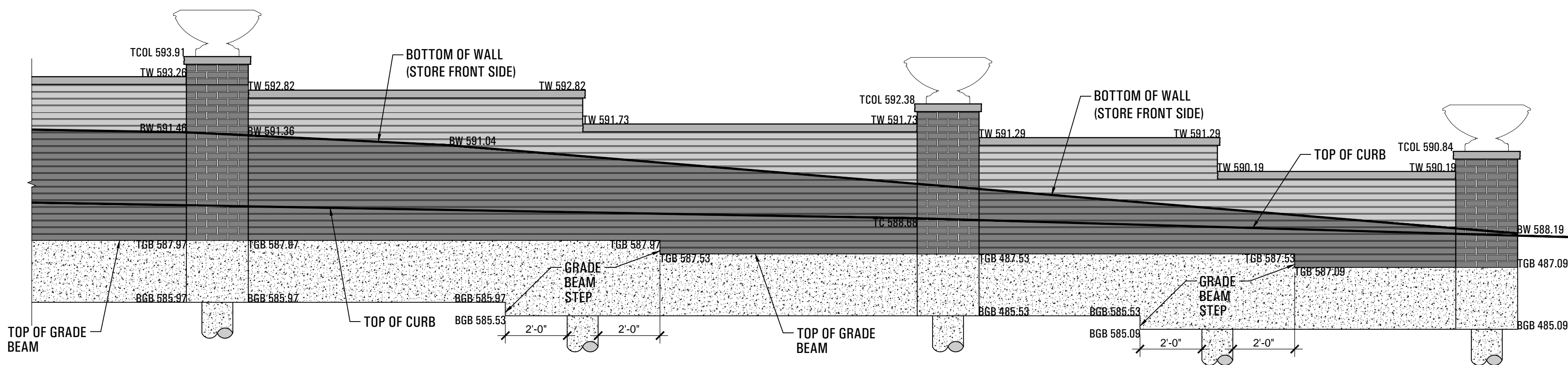
1 WALL ELEVATION - 101 E. RUSK ST.
SCALE: 3/8" = 1'-0"



2 WALL ELEVATION - 101 N. GOLIAD ST.
SCALE: 3/8" = 1'-0"



3 WALL ELEVATION - 105 N. GOLIAD ST.
SCALE: 3/8" = 1'-0"



4 WALL ELEVATION - 109 N. GOLIAD ST.
SCALE: 3/8" = 1'-0"



submittals / revisions

no.	date	detail
1	06/04/15	LASI #18

la terra studio, inc.

12024
 its project number
 02.26.2014
 date
 rac; bhm
 drawn by
 mtb
 checked by

