



la terra studio



DALLAS · FORT WORTH · HOUSTON



ENGINEERING ASSOCIATES

Downtown Rockwall

la terra studio Project #12024
streetscape improvements
rockwall, texas
PHASE 2



ROCKWALL
An Official Public Street

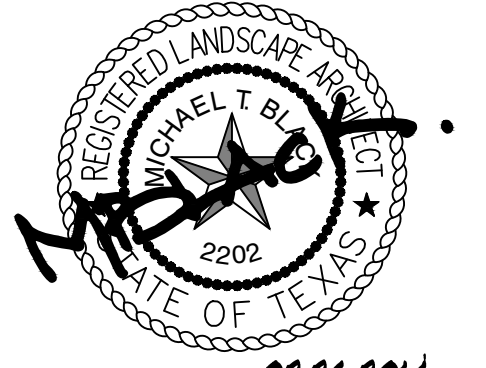
submittals / revisions

no.	date	detail
▲	07/31/14	LASI #10
▲	11/26/14	LASI #12

la terra studio, inc.

12024
its project number
02.26.2014
date
rac; bhm
drawn by
mtb
checked by

registration

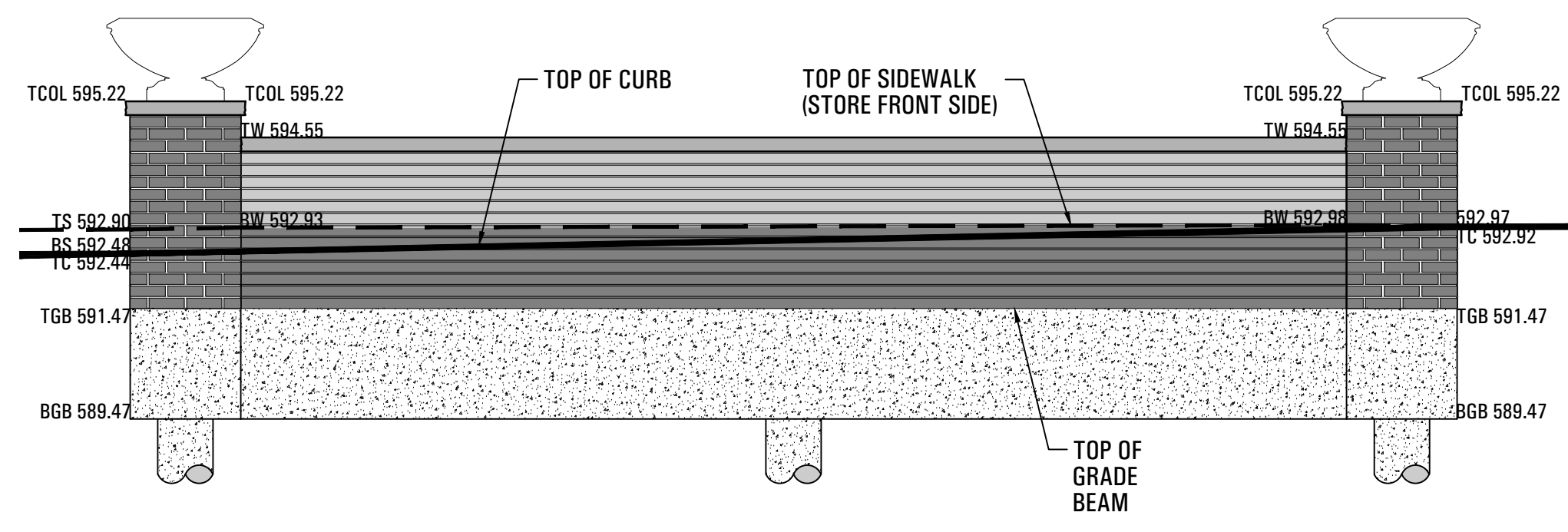


02.26.2014 sheet title

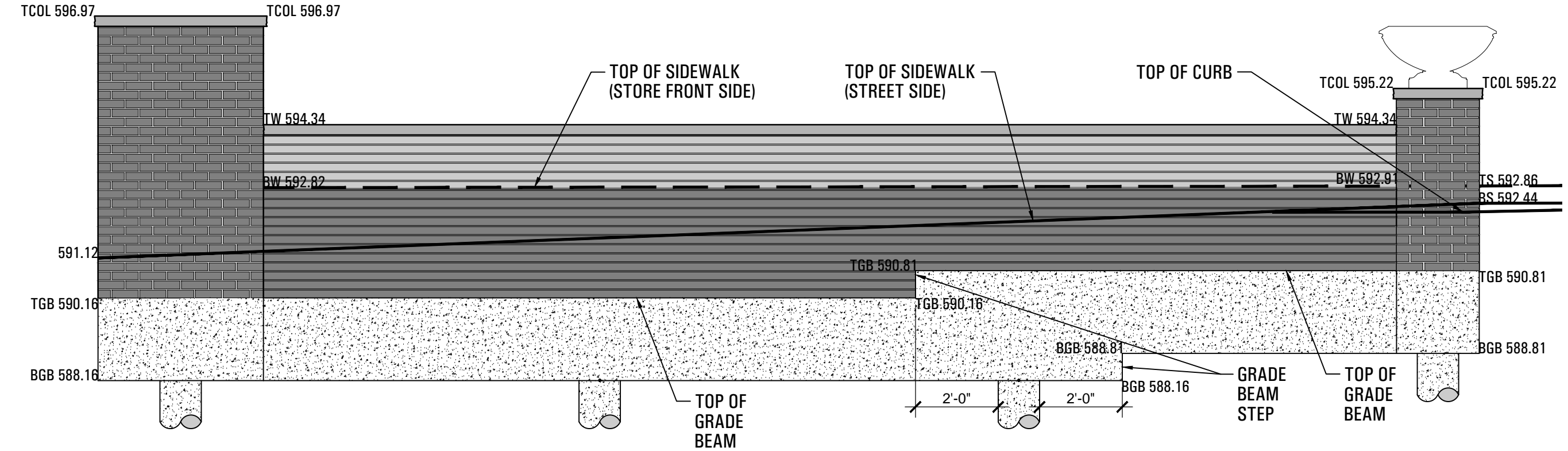
Site Details sheet number

SD-10

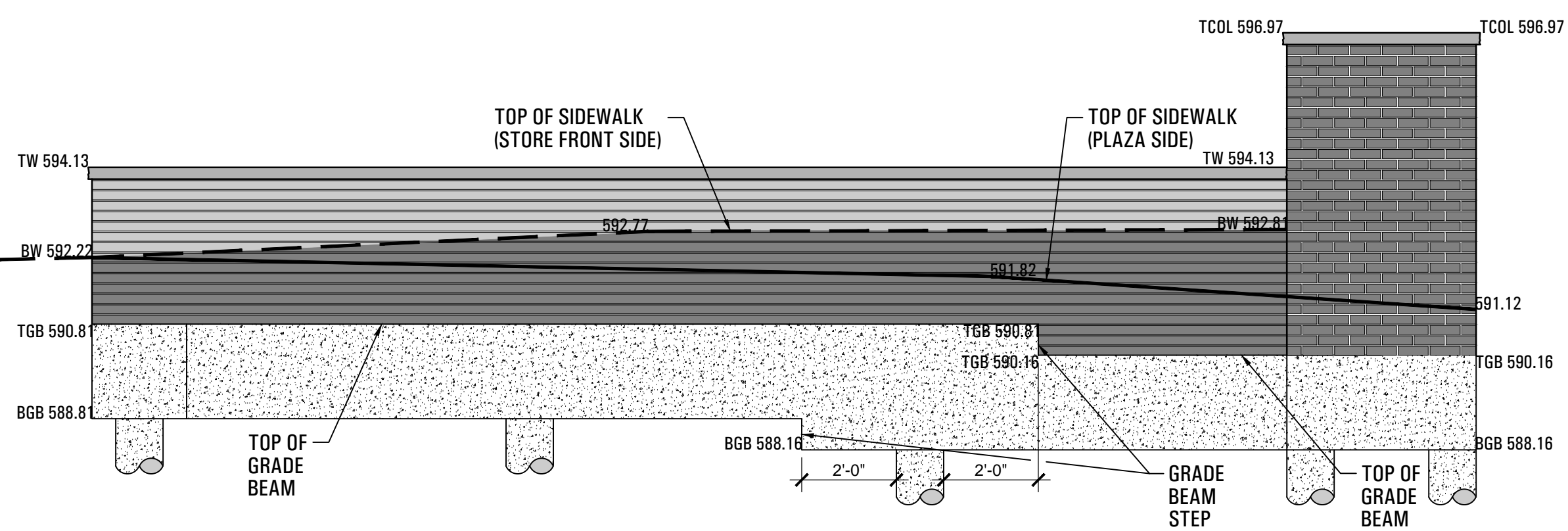
© 2013 la terra studio, inc. All Rights Reserved FILE:R:\12024-Downtown Rockwall PS&E - Rockwall\CAD\SHEET\12024-Str Details_10.dwg



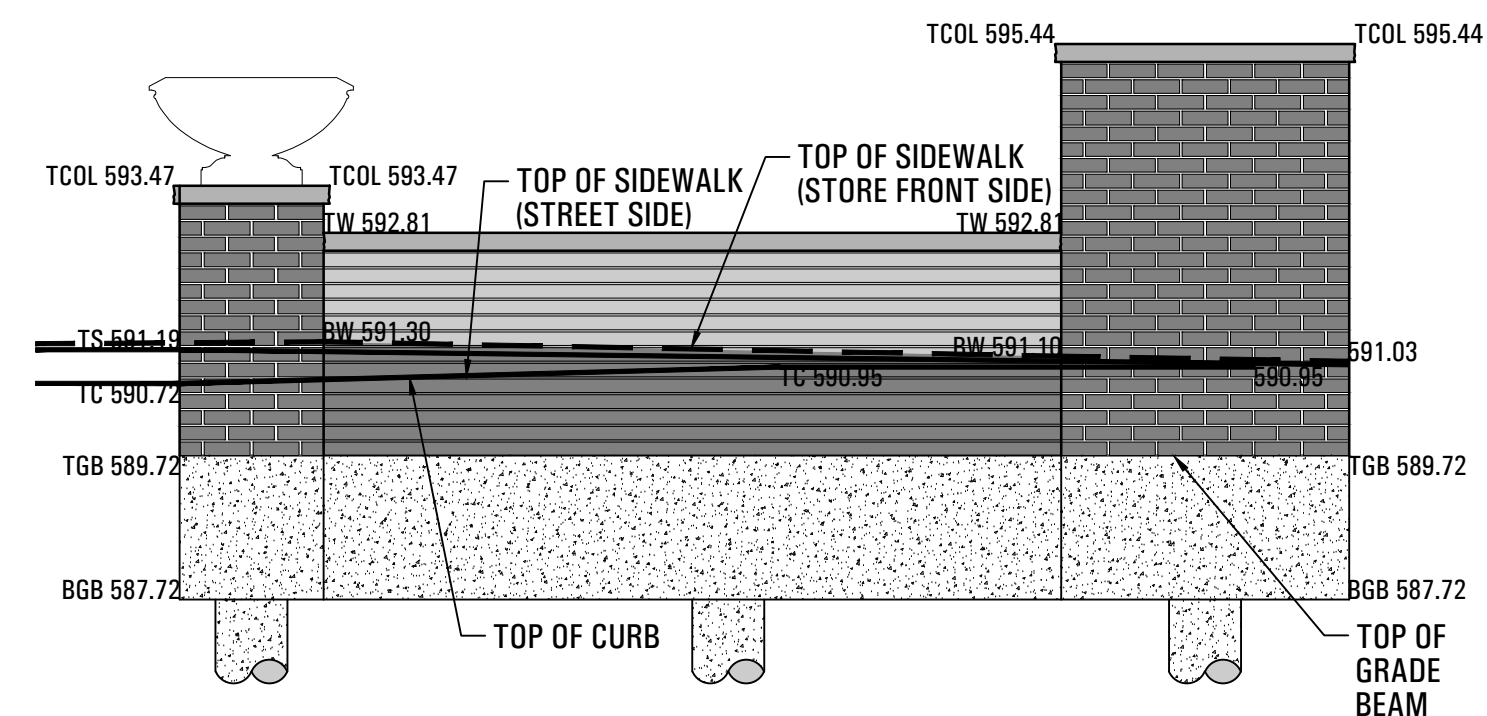
1 WALL ELEVATION - 114 E. RUSK ST.
SCALE: 3/8" = 1'-0"



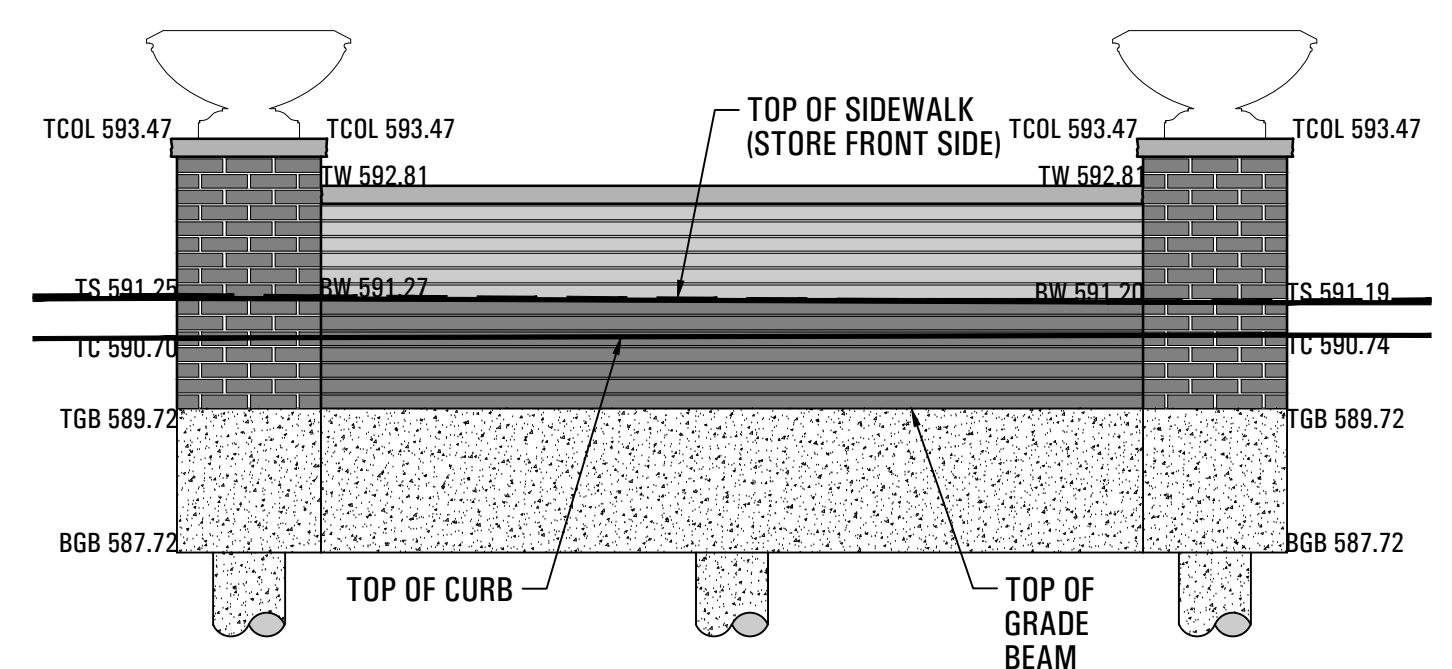
2 WALL ELEVATION - 116 E. RUSK ST.
SCALE: 3/8" = 1'-0"



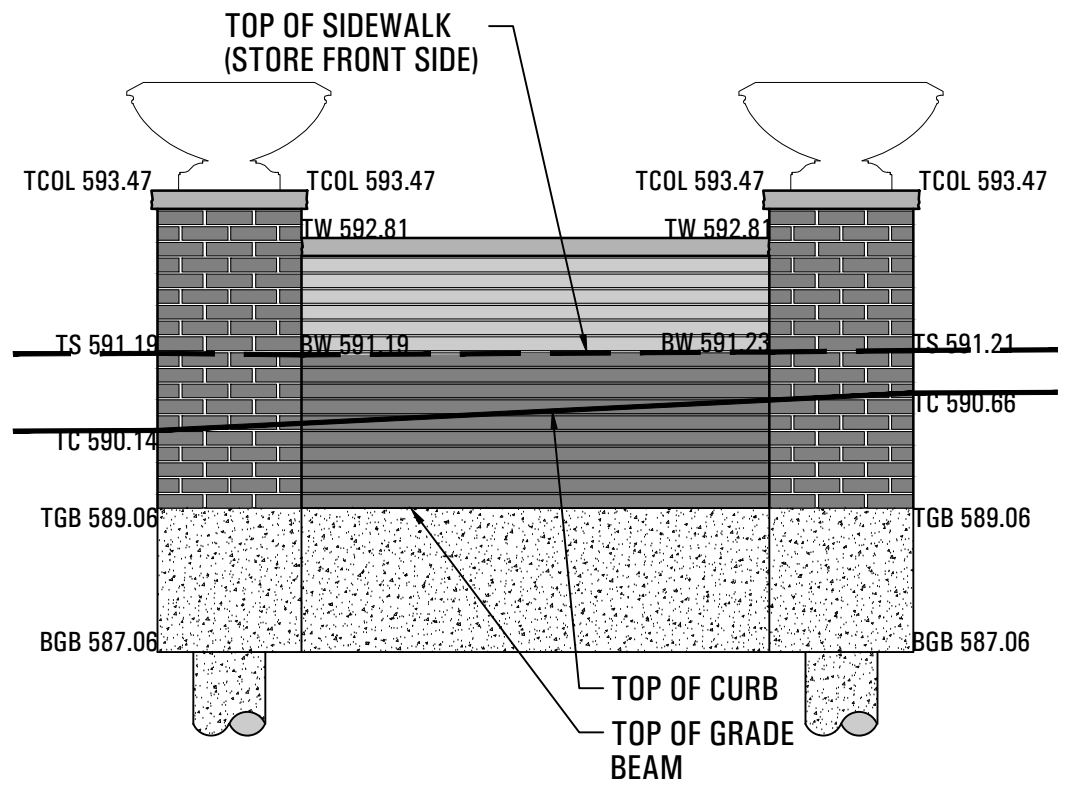
3 WALL ELEVATION - 118 E. RUSK ST.
SCALE: 3/8" = 1'-0"



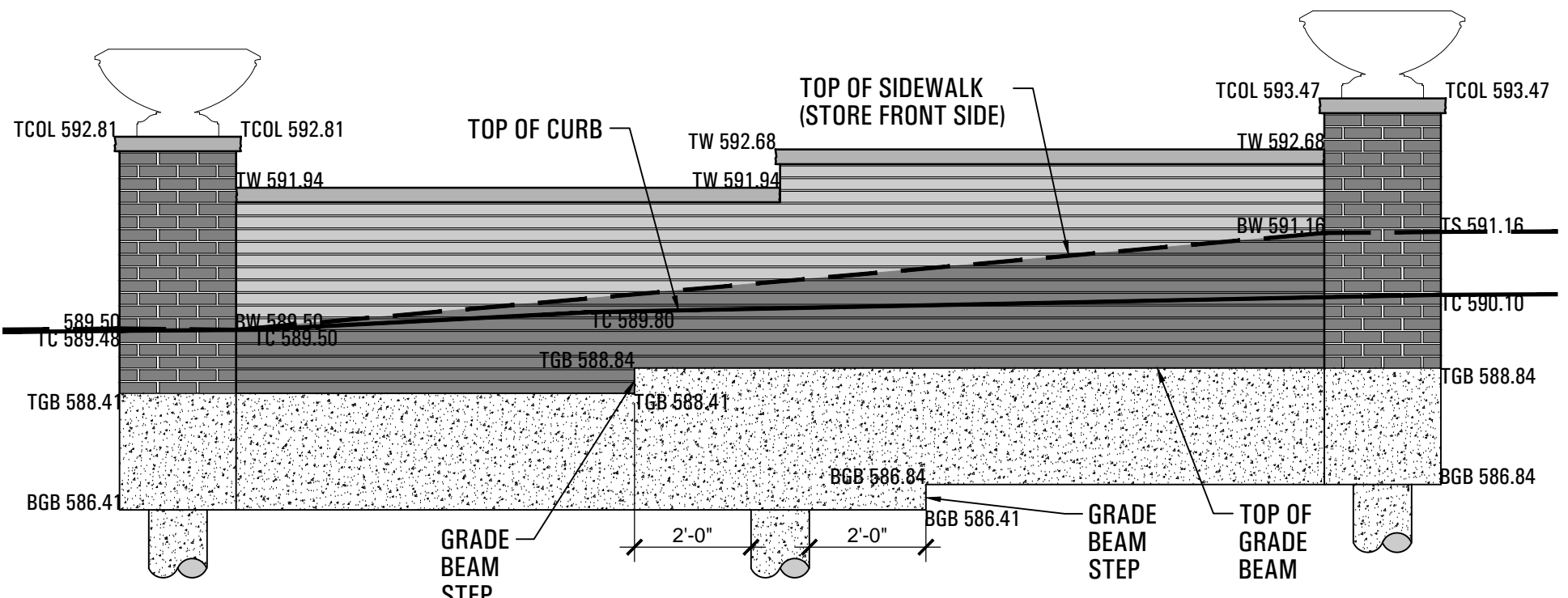
4 WALL ELEVATION - 202 E. RUSK ST.
SCALE: 3/8" = 1'-0"



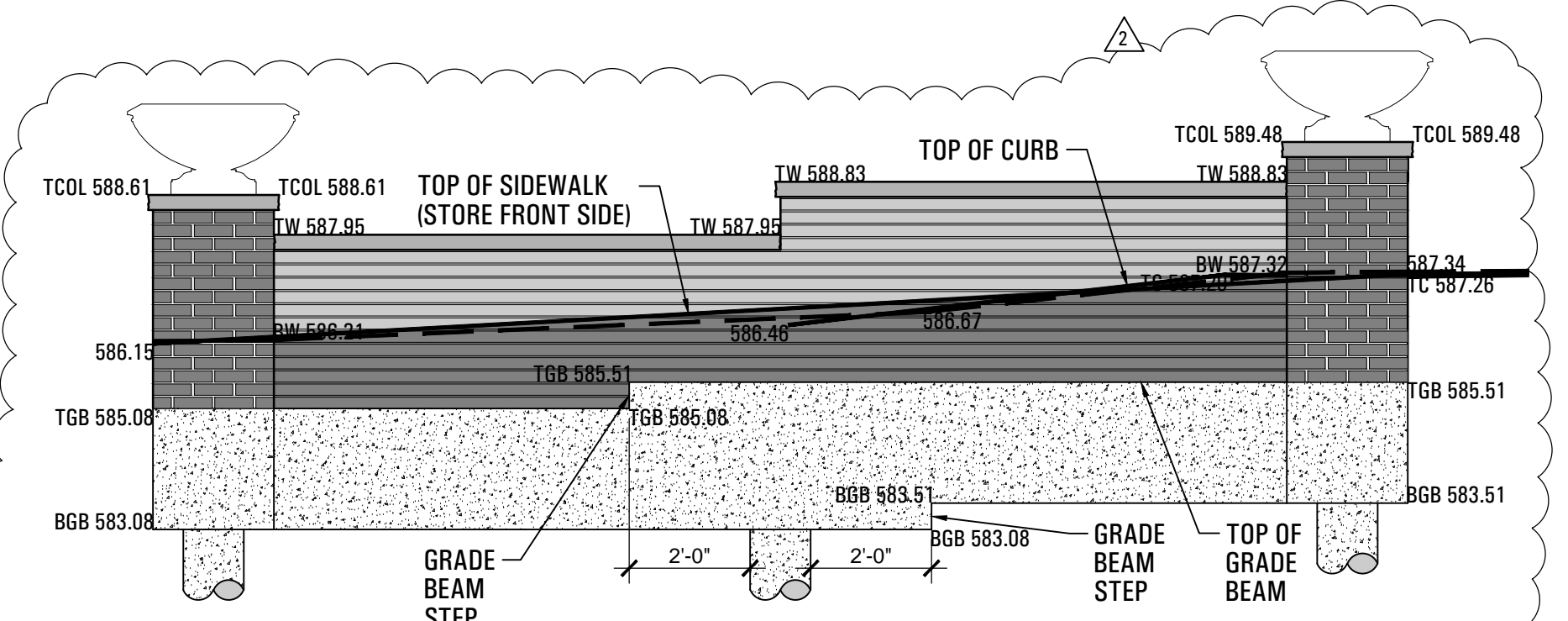
5 WALL ELEVATION - 204 E. RUSK ST.
SCALE: 3/8" = 1'-0"



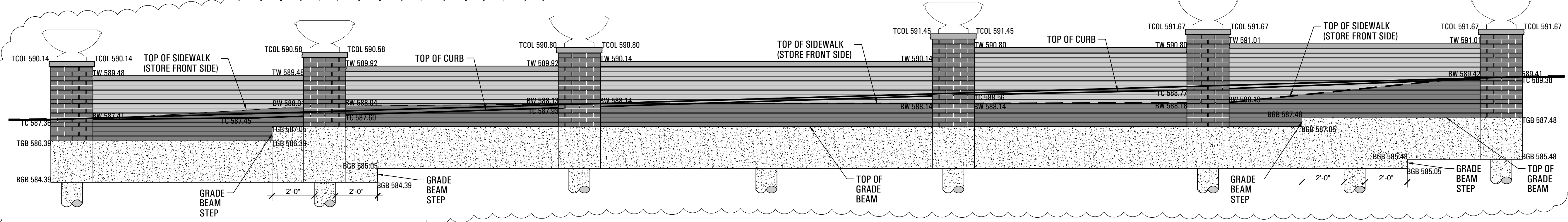
6 WALL ELEVATION - 206 E. RUSK ST.
SCALE: 3/8" = 1'-0"



7 WALL ELEVATION - 210 E. RUSK ST.
SCALE: 3/8" = 1'-0"



8 WALL ELEVATION - 218 E. RUSK ST.
SCALE: 3/8" = 1'-0"



9 WALL ELEVATION - 212-216 E. RUSK ST.
SCALE: 3/8" = 1'-0"