



submittals / revisions

| no. | date | detail |
|-----|----------|----------|
| ▲ | 04/24/14 | RFI #79 |
| ▲ | 05/08/14 | RFI #38 |
| ▲ | 07/18/14 | RFI #105 |
| ▲ | 08/12/14 | RFI #117 |
| ▲ | 08/12/14 | LASI #11 |

la terra studio, inc.

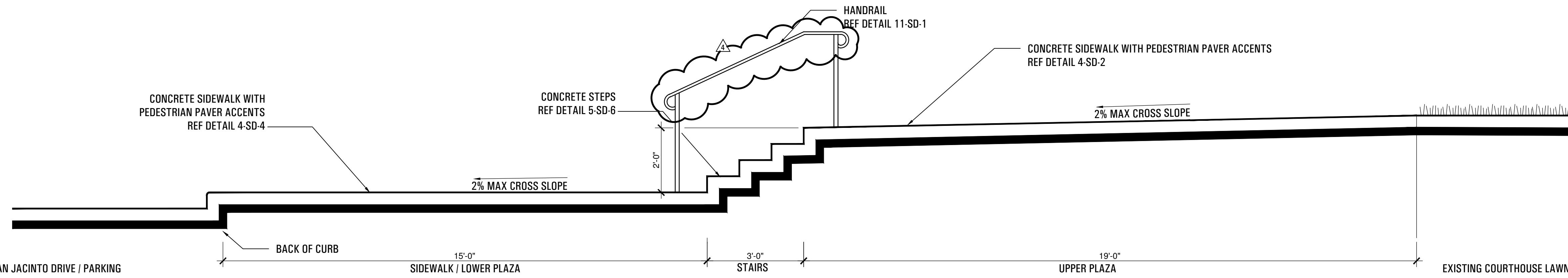
12024
 its project number
 02.26.2014
 date
 rac; bhm
 drawn by
 mtb
 checked by

registration

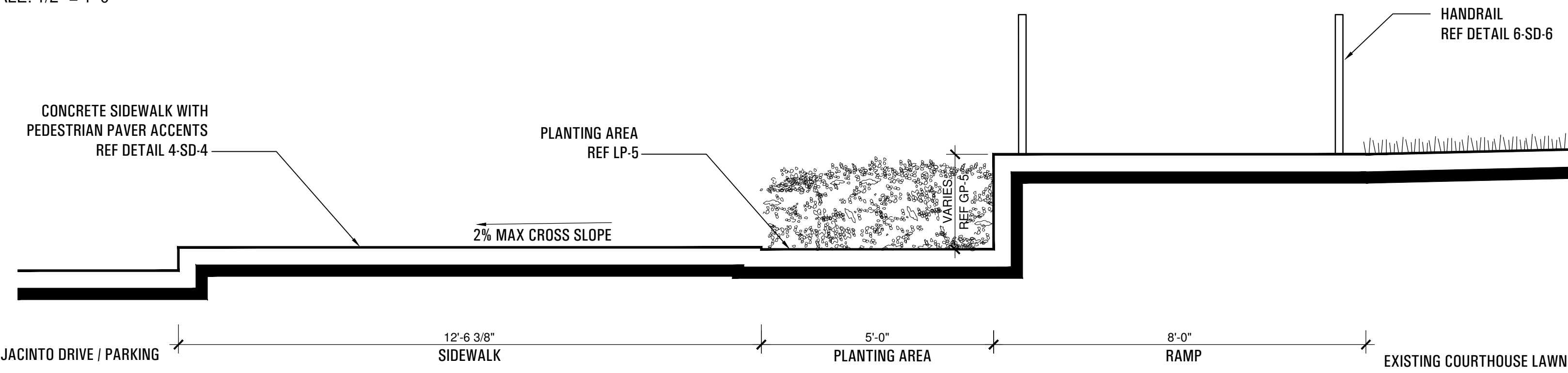


Site Details
 sheet number

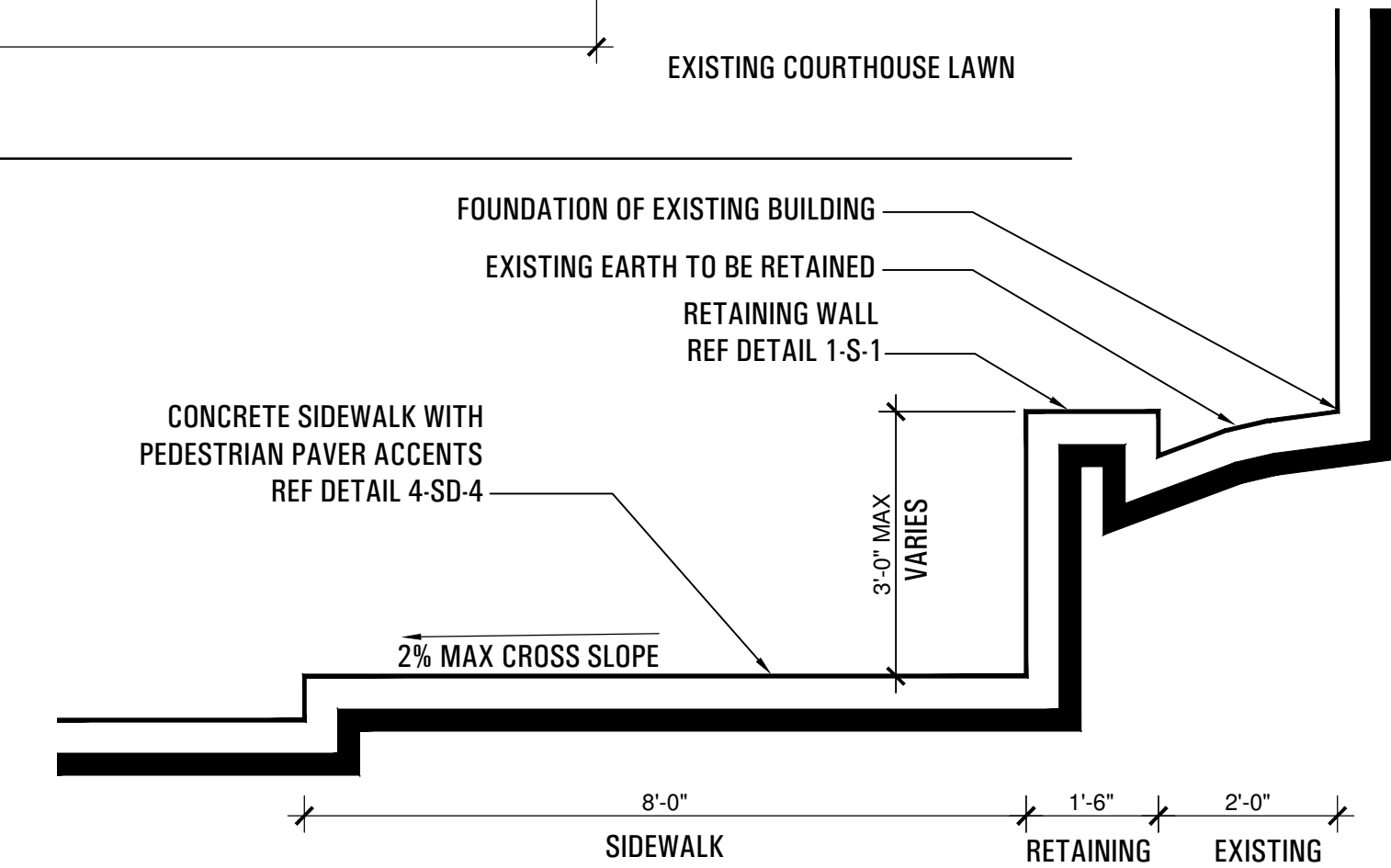
SD-6



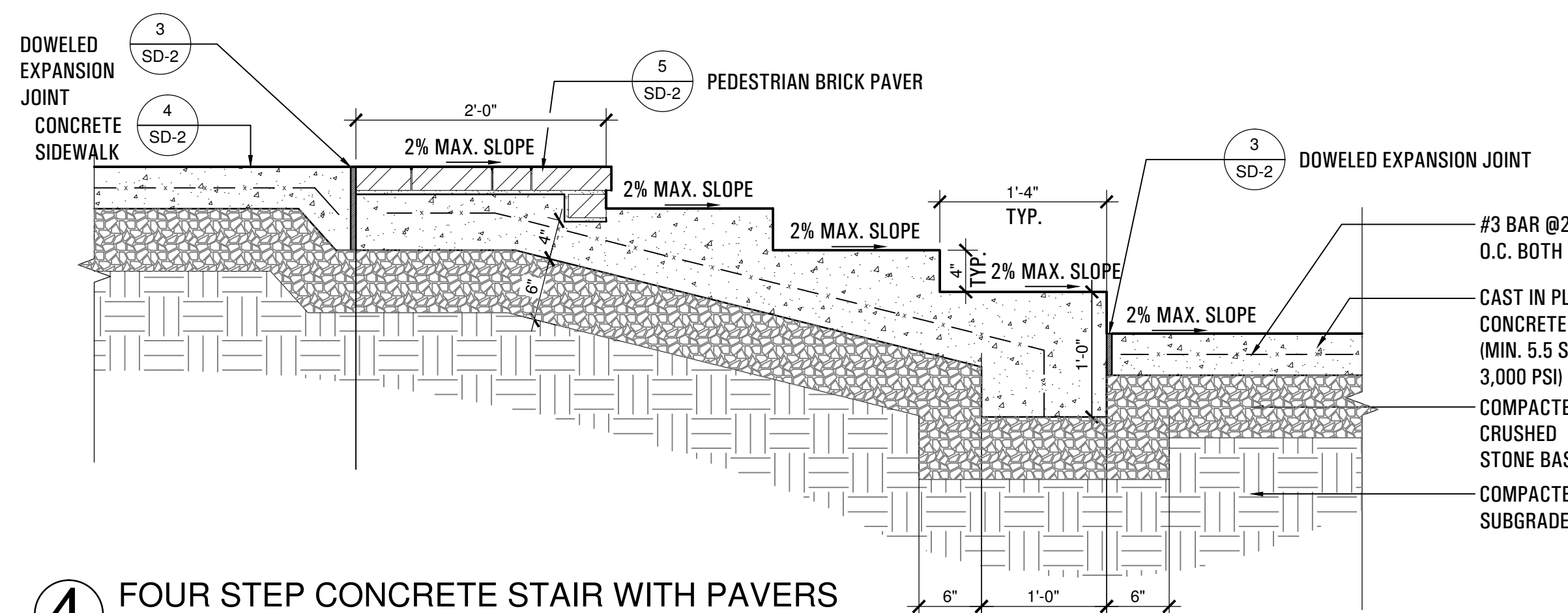
1 COURTHOUSE PLAZA SECTION
 SCALE: 1/2" = 1'-0"



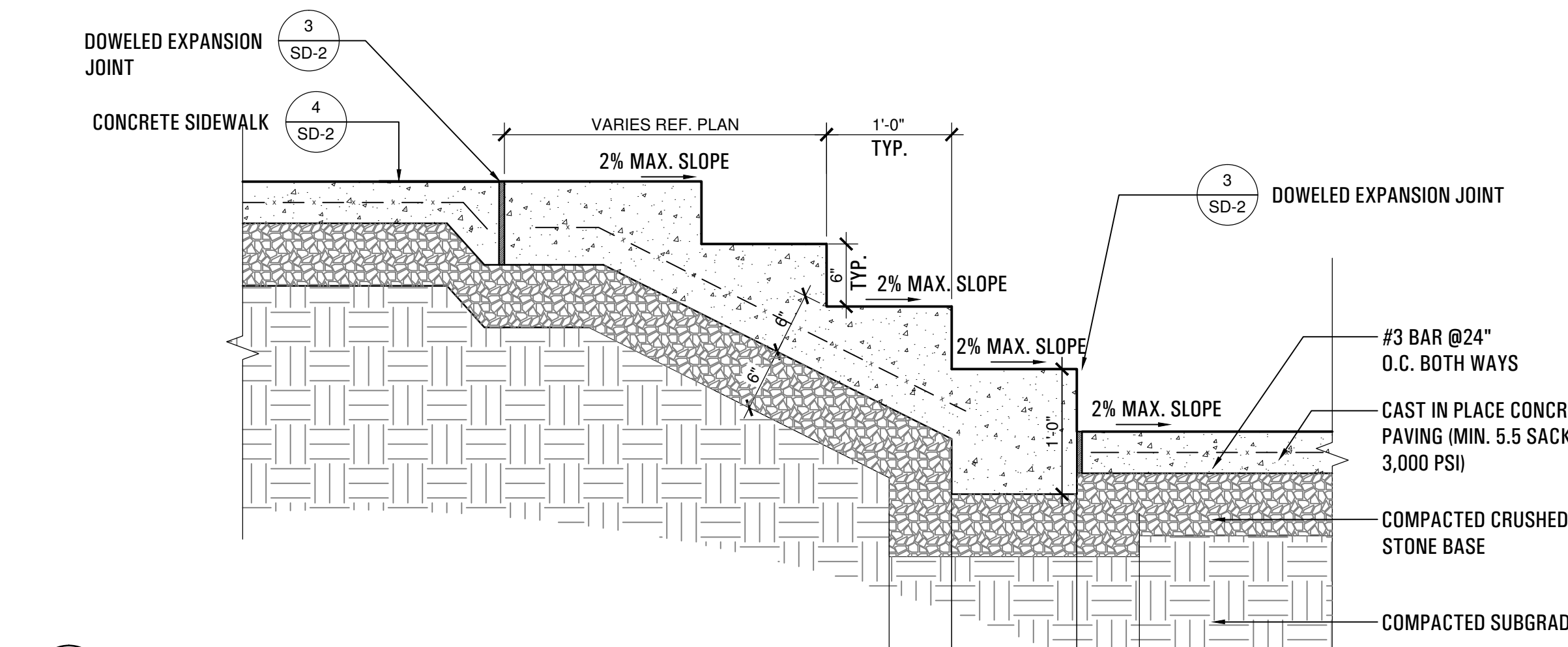
2 COURTHOUSE PLAZA RAMP SECTION
 SCALE: 1/2" = 1'-0"



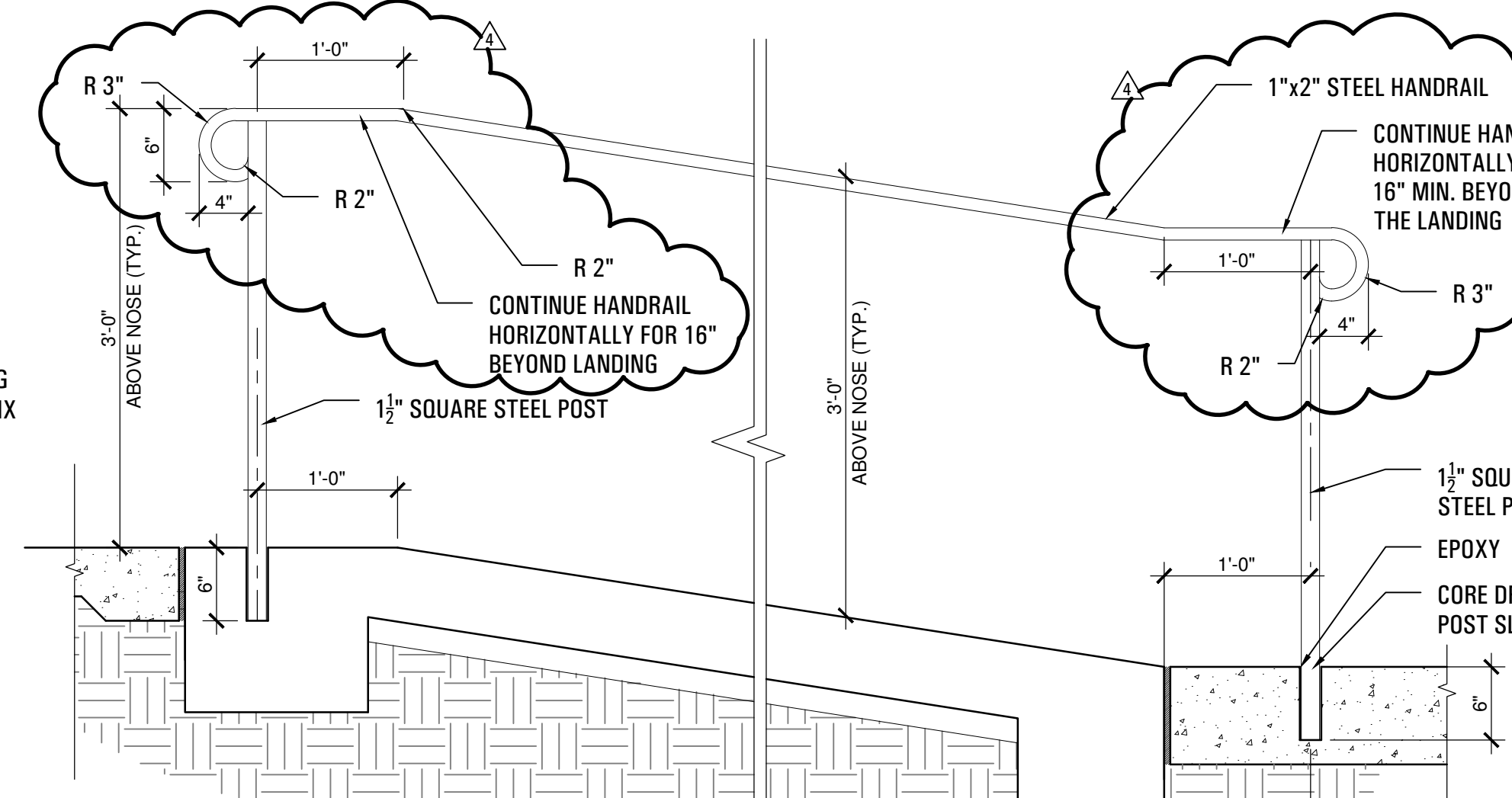
3 PEDESTRIAN WALKWAY ALONG SOUTH OF WASHINGTON PARKING AREA
 SCALE: 1/2" = 1'-0"



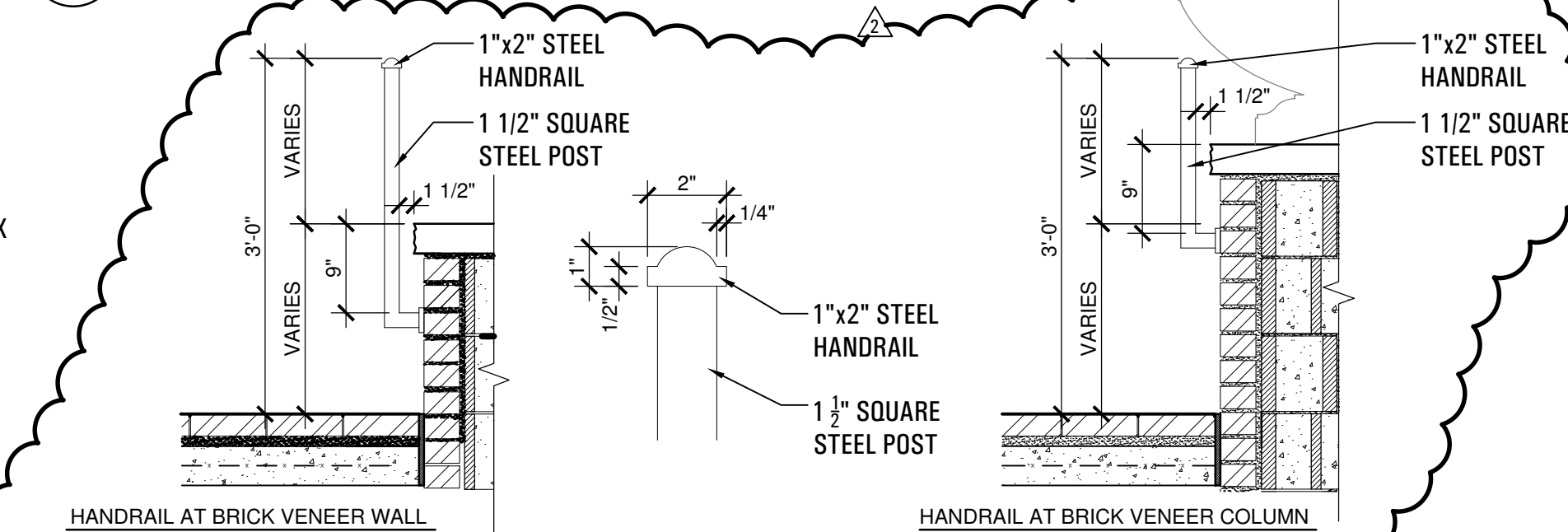
4 FOUR STEP CONCRETE STAIR WITH PAVERS
 SCALE: 1" = 1'-0"



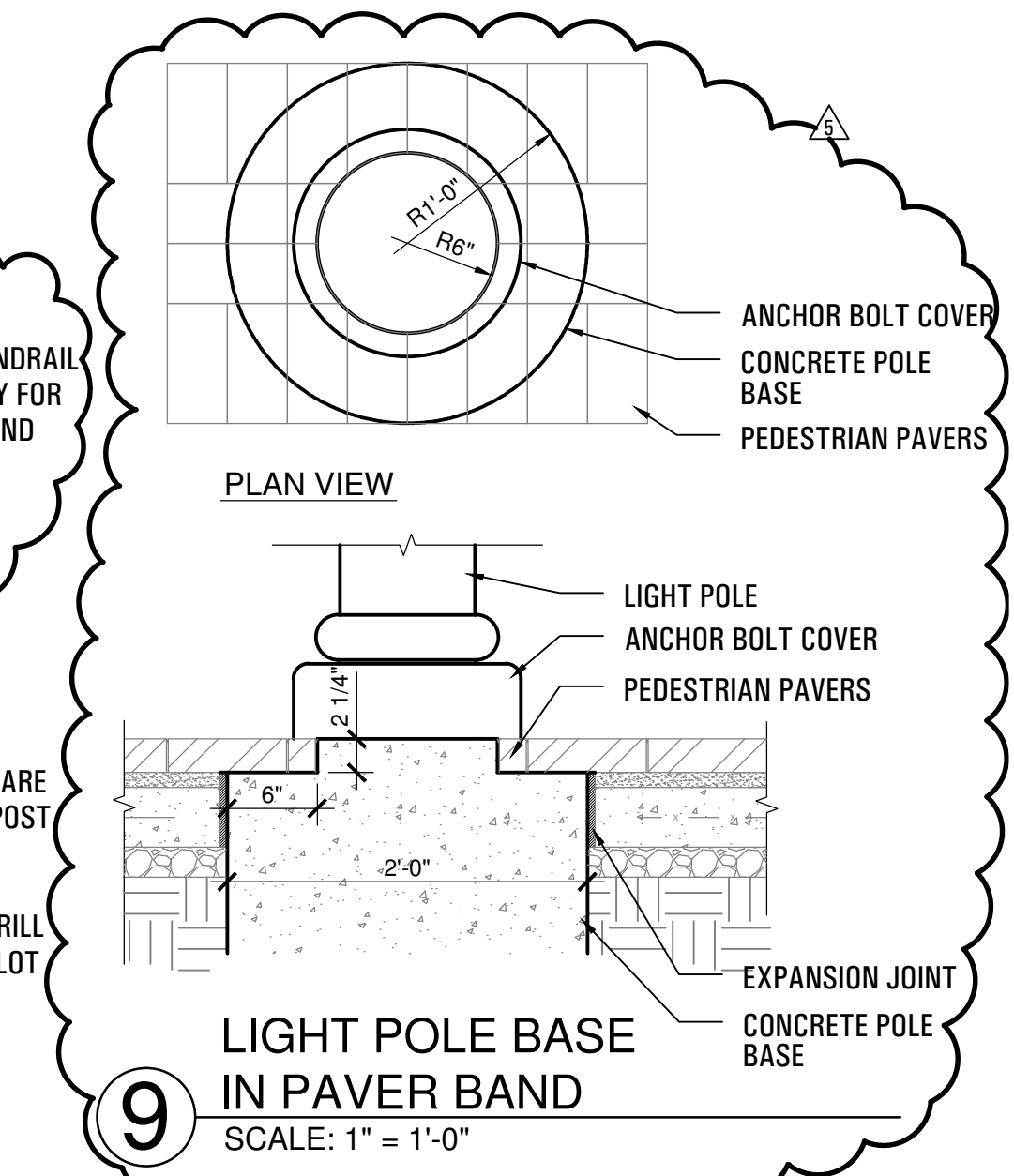
5 FOUR STEP CONCRETE STAIR TREE WELL WITH GRATE
 SCALE: 3/4" = 1'-0"



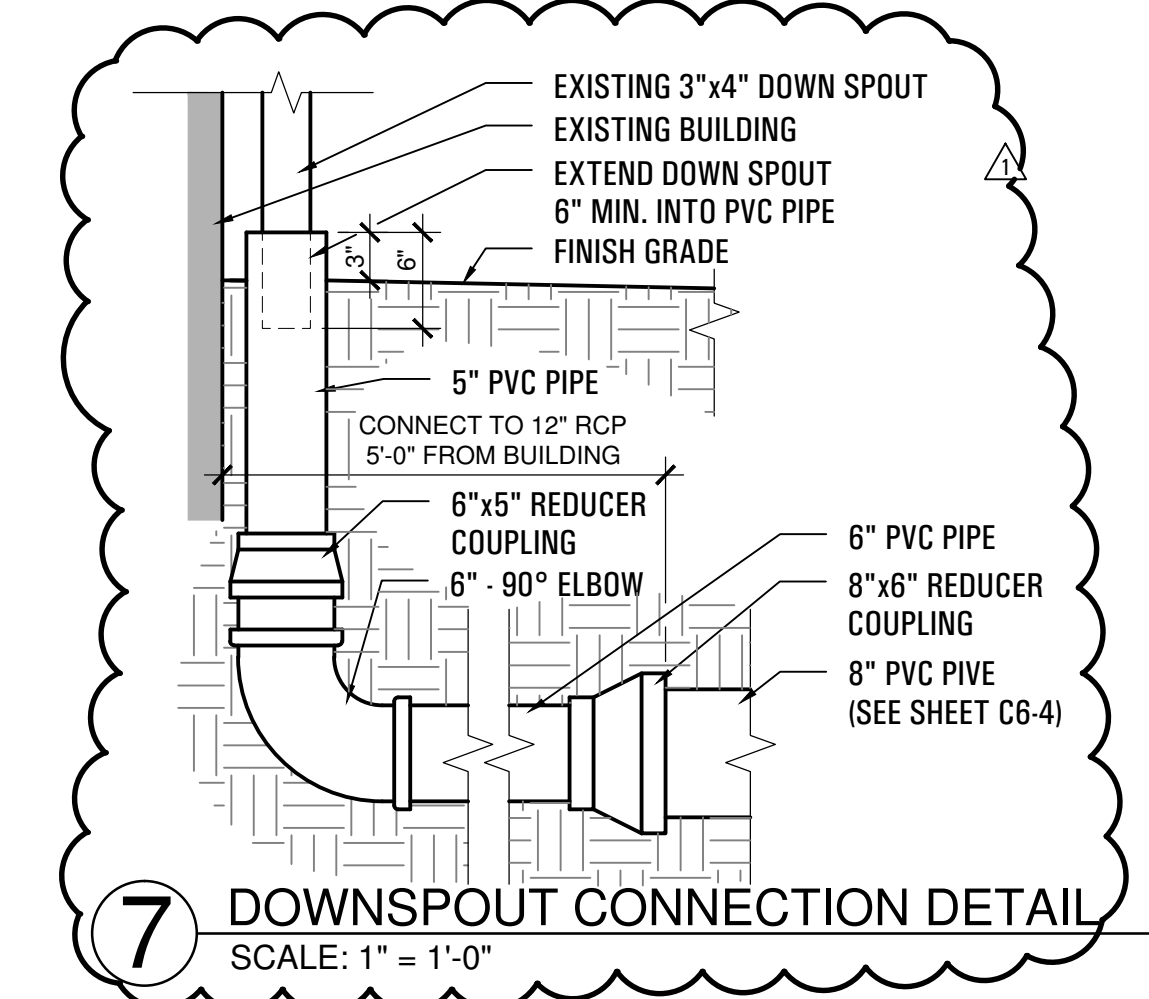
6 RAMP HANDRAIL DETAIL
 SCALE: 1" = 1'-0"



8 RAMP HANDRAIL DETAIL
 SCALE: 3/4" = 1'-0"



9 LIGHT POLE BASE IN PAVER BAND
 SCALE: 1" = 1'-0"



7 DOWNSPOUT CONNECTION DETAIL
 SCALE: 1" = 1'-0"