



submittals / revisions

no.	date	detail
1	4-8-14	RFI #70
2	7-3-14	RFI #103
3	7-22-14	RFI #104
4	7-22-14	RFI #109
5	6-04-15	LASI #18

la terra studio, inc.

12024  
Its project number  
4.15.2014  
date  
bgp  
drawn by  
bgp  
checked by

registration



06-04-15

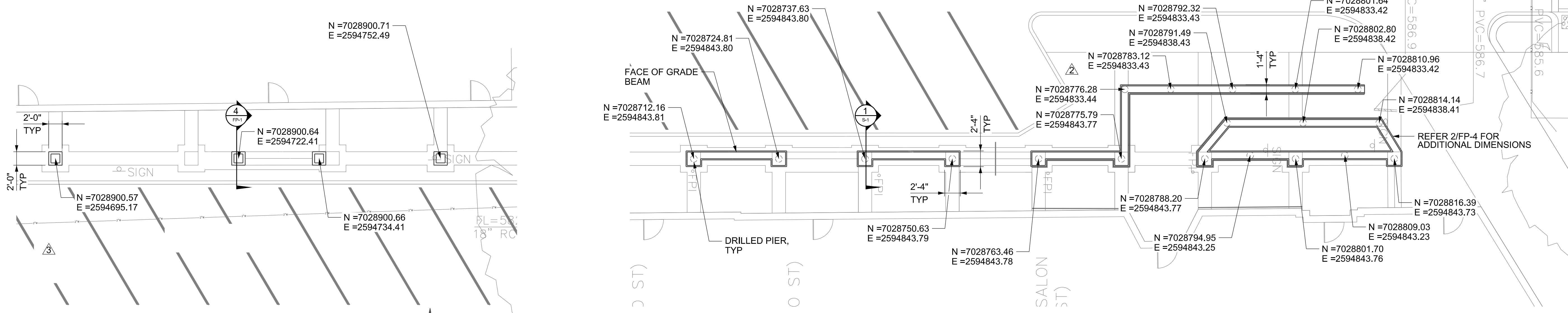
sheet title  
**FOUNDATION PLAN**  
sheet number

**FP-1**

**AS BUILT**

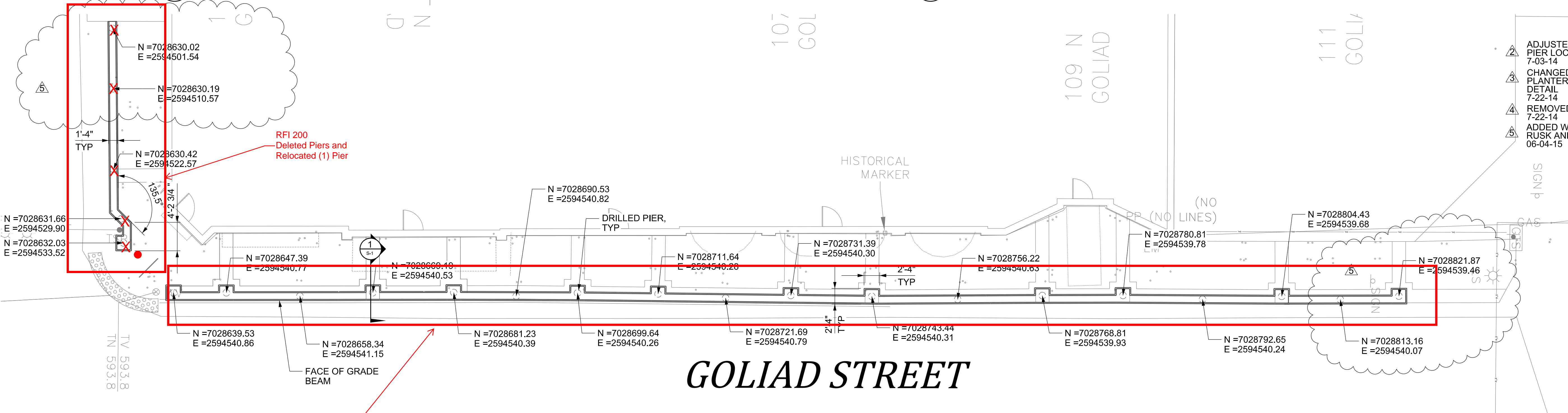
03/07/2016

# SAN JACINTO STREET

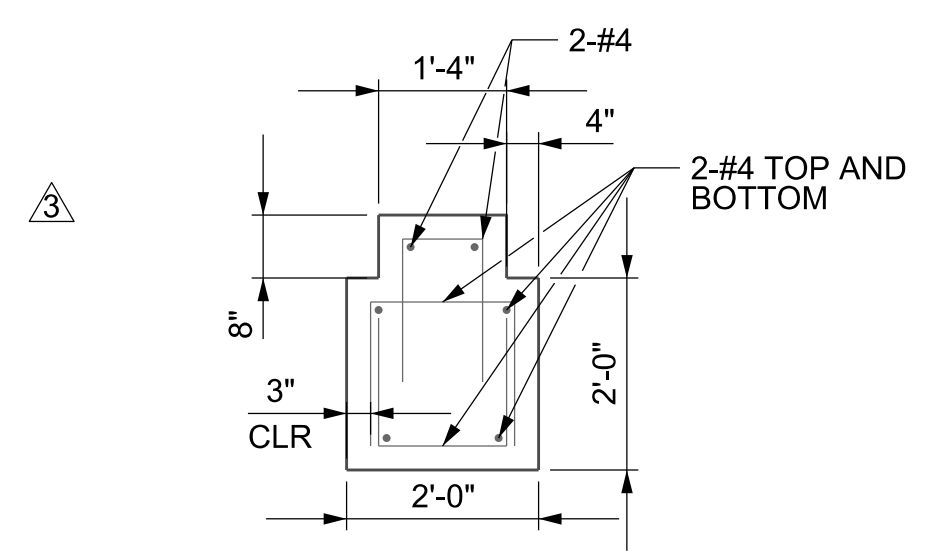


2 SAN JACINTO WALL PLAN  
SCALE: 1/8" = 1'-0"

1 KAUFMAN WALL PLAN  
SCALE: 1/8" = 1'-0"



3 GOLIAD WALL PLAN  
SCALE: 1/8" = 1'-0"



4 PLINTH DETAIL  
SCALE: 1/2" = 1'-0"

**PIERCE ENGINEERING**  
STRUCTURAL ENGINEERING  
BUS.: (940) 937-8600 132 N. MAIN STREET  
FIRM REG #: F-9186 CHILDRESS, TX 79201