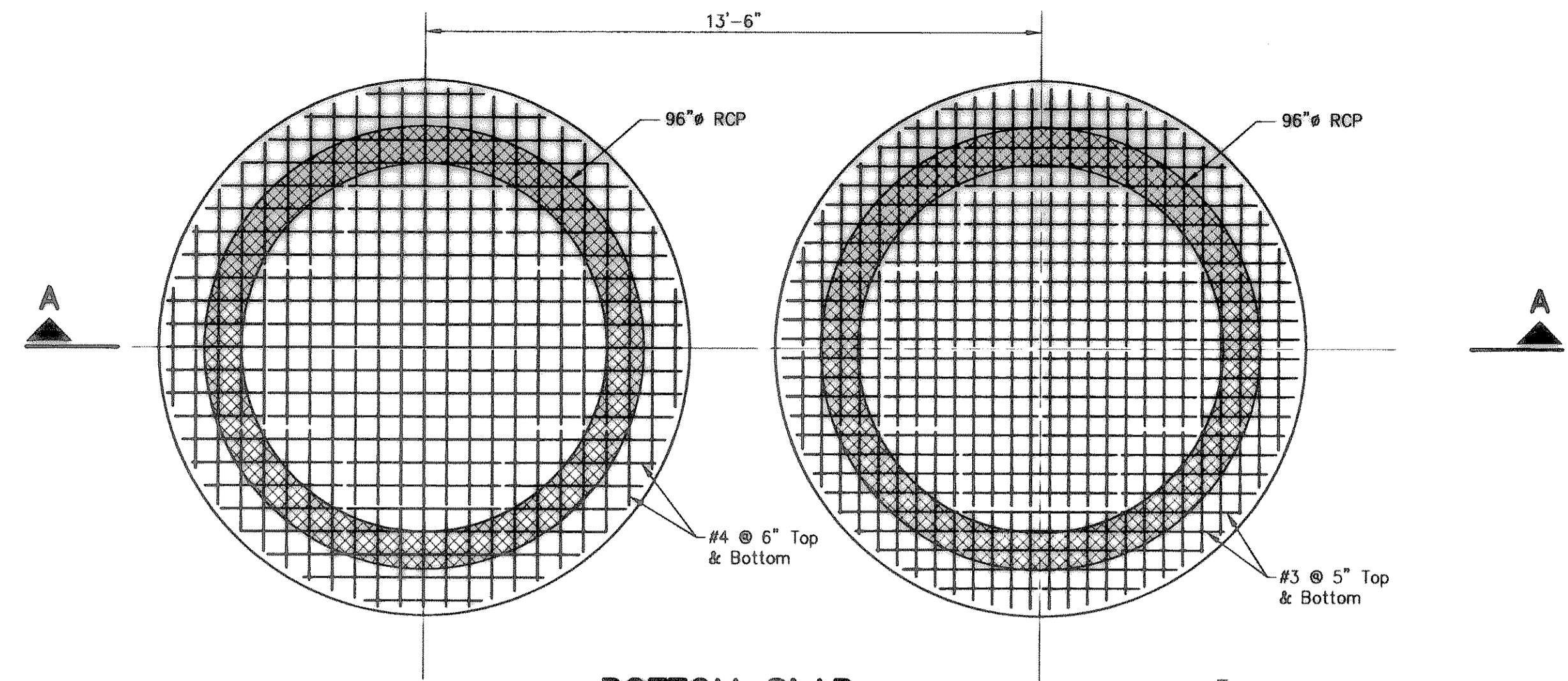
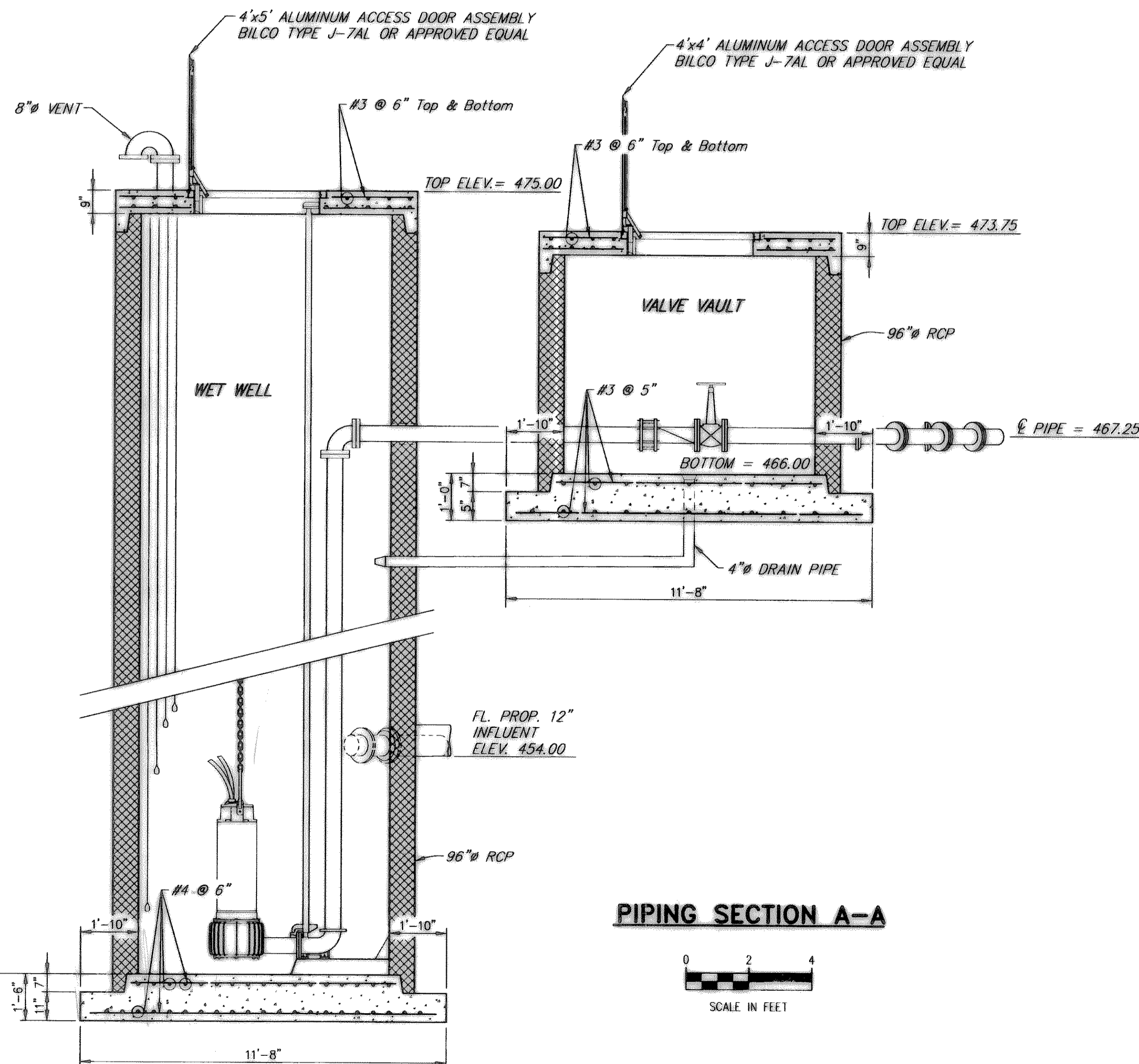


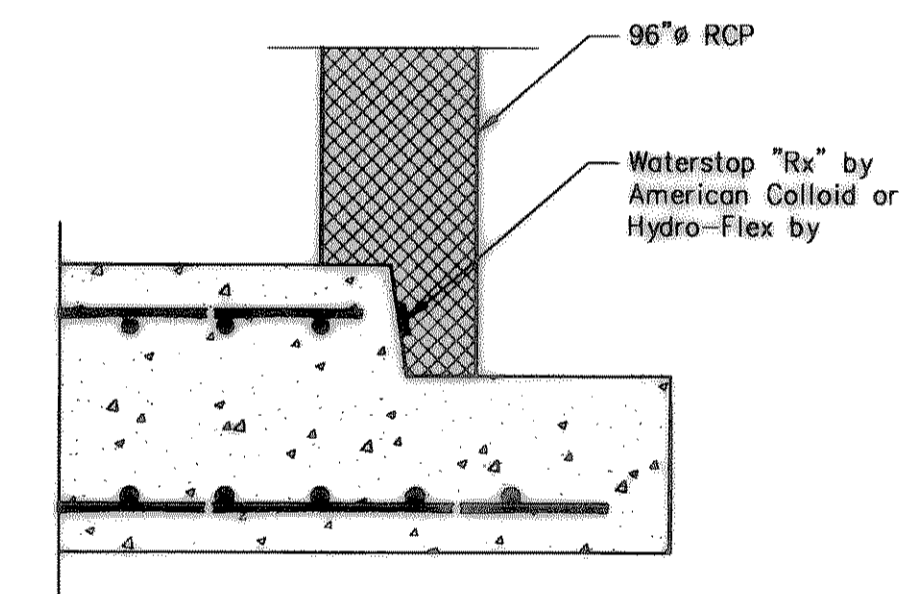
**TOP SLAB
REINFORCING PLAN**



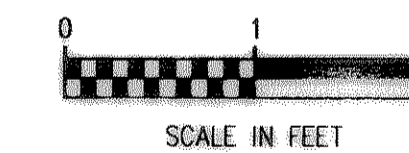
**BOTTOM SLAB
REINFORCING PLAN**



PIPING SECTION A-A



BASE JOINT DETAIL



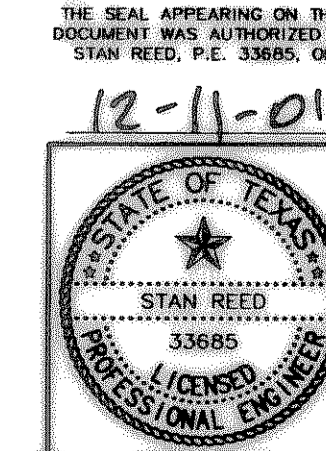
NOTE:

1. CONCRETE -- 4,000 PSI.
2. REINFORCING STEEL -- ASTM A615, GRADE 60.
3. SEE CIVIL DRAWINGS FOR DETAILS OF 96" RCP.

REVISED TO CONFORM
TO CONSTRUCTION RECORDS
BY Stan Reed DATE 1/17/03

These plans and related specifications were prepared for construction of this specific project only. Reuse of these documents is not permitted without written authorization of Birkhoff, Hendricks, & Conway, L.L.P.

Stan Reed
THE SEAL APPEARING ON THIS DOCUMENT WAS AUTHORIZED BY STAN REED, P.E. 33685, ON



CITY OF ROCKWALL, TEXAS

**DALTON ROAD LIFT STATION
STRUCTURAL PLANS & SECTIONS**

BIRKHOFF, HENDRICKS & CONWAY, L.L.P.
CONSULTING ENGINEERS
Dallas, Texas

DESIGNED BY: S.C.R.	PROJECT: 2000172	SHEET NO. S1
DRAWN BY: S.C.R.	DATE: DECEMBER, 2001	OF 1 SHEETS