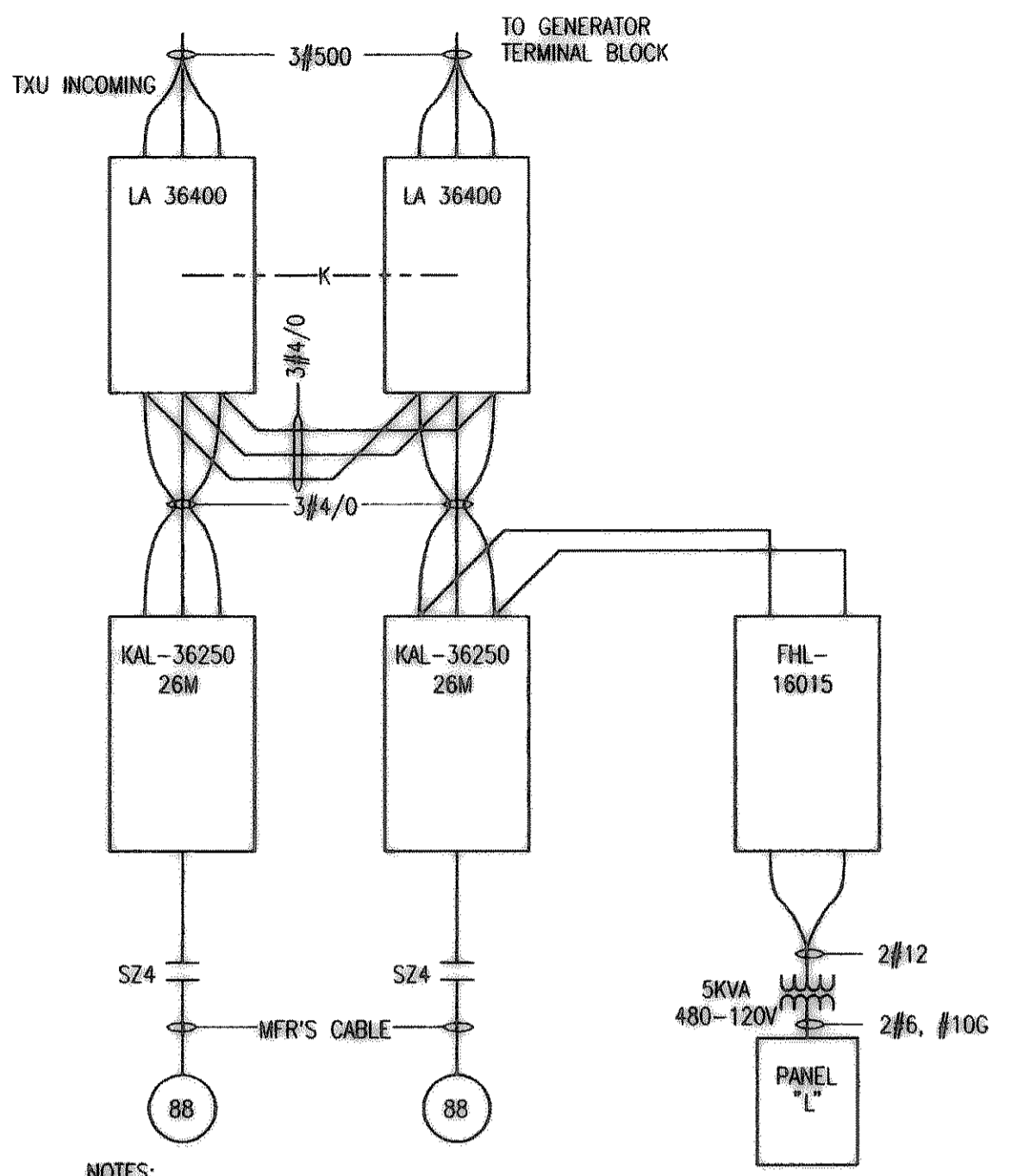
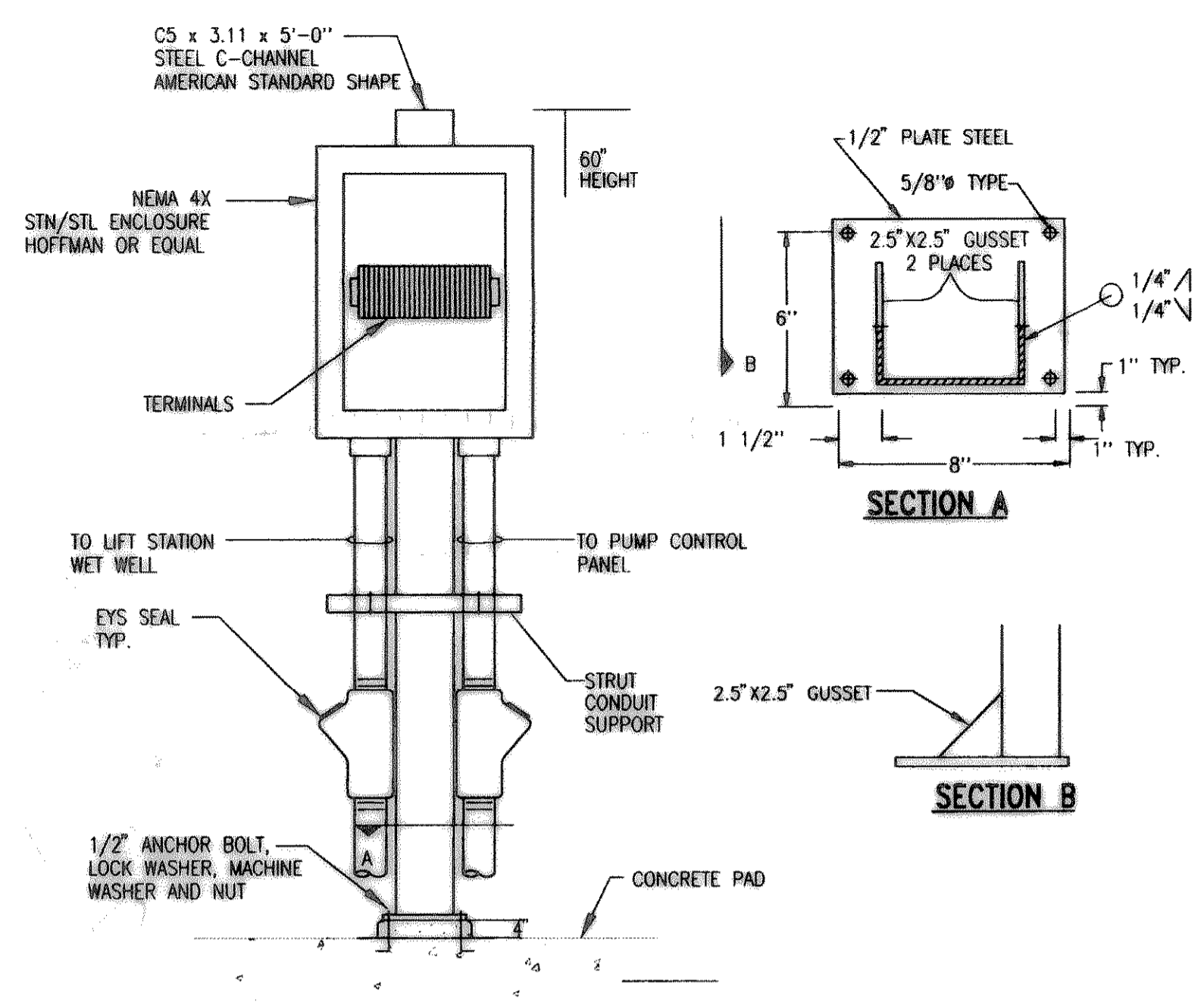


**01 CONTROL PANEL**  
NOT TO SCALE

- ① - NEMA 4X STAINLESS STEEL ENCLOSURE. 74" Hx72" Wx24" D. WIEGMANN SS4ND.
- ② - 68" x68" STAINLESS STEEL SUBPANEL.
- ③ - 120V 1 LAMP FLUORESCENT FIXTURE. PROVIDE 18 LAMPS AND COLD WEATHER BALLAST. HUBBELL #SM21TB1.
- ④ - INCOMING CIRCUIT BREAKER UTILITY & GENERATOR. KIRK KEY INTERLOCKED. REF. ONE LINE DIAGRAM & DET. 02/ THIS SHEET.
- ⑤ - PLC. REFER TO CONTROL BLOCK DIAGRAM.
- ⑥ - MODEM. REFER TO CONTROL BLOCK DIAGRAM.
- ⑦ - PANEL "L" REFER TO PANEL SCHEDULE.
- ⑧ - POWER DISTRIBUTION BLOCK ILSCO PDB-22-2/0-1 SOLID GROUND.
- ⑨ - PANEL GROUND BY PANEL VENDOR.
- ⑩ - STARTER. SQUARE D CLASS 8536 TYPE SF01V02 H315 WITH 120V CPT. SOLID STATE RELAY, AUX. 120-24V TRANSFORMER, HOA, I.L. ELAPSED TIME METER. REFERENCE CONTROL SCHEMATICS.
- ⑪ - POWER DISTRIBUTION BLOCK ILSCO PDC-11-2/0-1 (2). GENERATOR NEUTRAL AND GROUND CONNECTION.
- ⑫ - POWER DISTRIBUTION BLOCK ILSCO PDB-11-500-3. GENERATOR POWER CONNECTION.
- ⑬ - 5 KVA TRANSFORMER. SQUARE D CLASS 9070 TYPE T5000 DI.
- ⑭ - 120 VAC UPS AND 24 VDC POWER SUPPLY. REFER TO AC & DC POWER WITH UPS DETAIL.
- ⑮ - STROBE WARNING LIGHT. FEDERAL STARFIRE MODEL 131ST.
- ⑯ - EXHAUST GRILLE & FILTER. REFER TO ITEM 17.
- ⑰ - COOLING FAN GRILLE & FILTER. WIEGMANN WA-PA 10AXFN.
- ⑱ - AMBIENT SENSING THERMOSTAT. DAYTON 2E728. (GRANGER)
- ⑲ - INTRINSICALLY SAFE RELAYS AND MINI GAS II FUS. REFER TO INTRINSICALLY SAFE SWITCH DETAILS AND CONTROL SCHEMATICS.
- ⑳ - LIGHTNING & SURGE ARRESTOR. DELTA LA-603G, DELTA CA603G.
- ㉑ - CONTROLS & INDICATOR PANEL WITH HOA, ETM & RUN LIGHTS FOR EACH PUMP MOTOR. REF. CONTROL SCHEMATIC.
- ㉒ - MOTOR BRANCH CIRCUIT BREAKER. REF. ONE LINE DIAGRAM & DET. 02/ THIS SHEET.

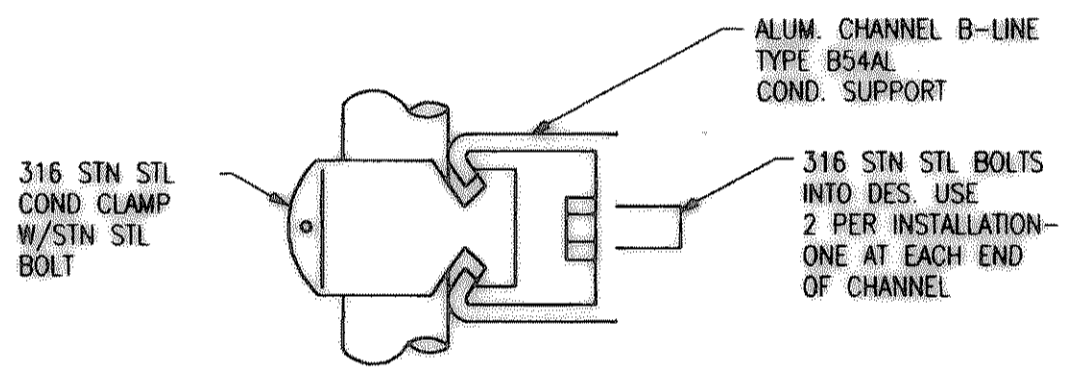


**DALTON ROAD LIFT STATION**  
**02 CONTROL PANEL POWER WIRING**

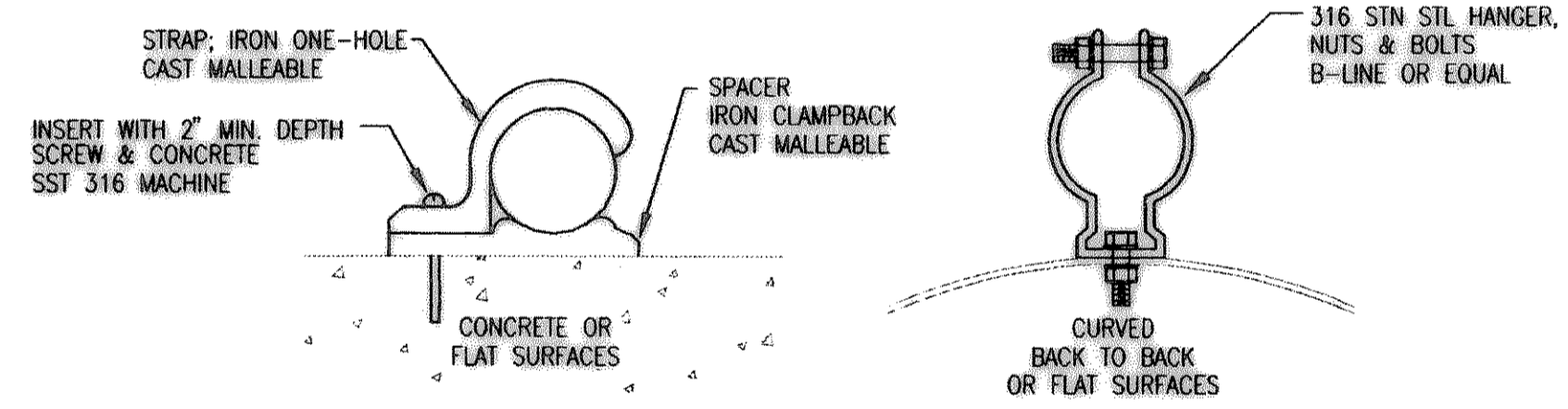


DESCRIPTION	J-BOX SIZE	CONDUIT SIZE	QTY
FLOAT	16X12X8"	2" C IN AND OUT	1
PUMP TERM.	24X36X12"	2" C IN AND OUT	2

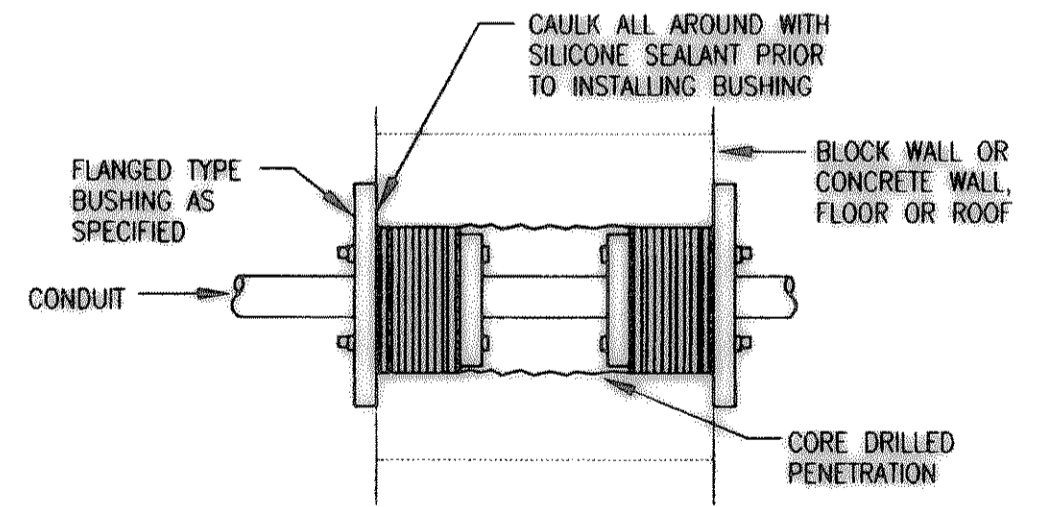
**07 JUNCTION BOX W/ STAND**  
NOT TO SCALE



**03 TYPICAL CONDUIT SUPPORT ON CONCRETE STRUCTURES FOR MULTIPLE CONDUIT RUNS**  
SCALE: NOT TO SCALE

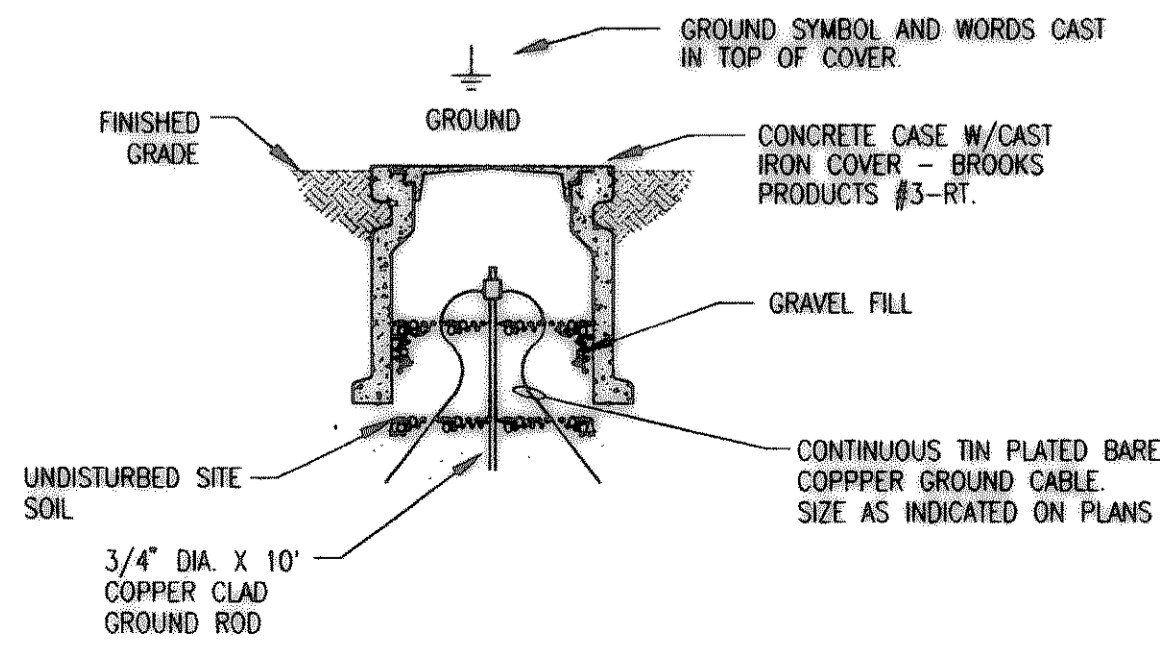


**04 TYPICAL CONDUIT SUPPORT SINGLE CONDUIT**  
NOT TO SCALE

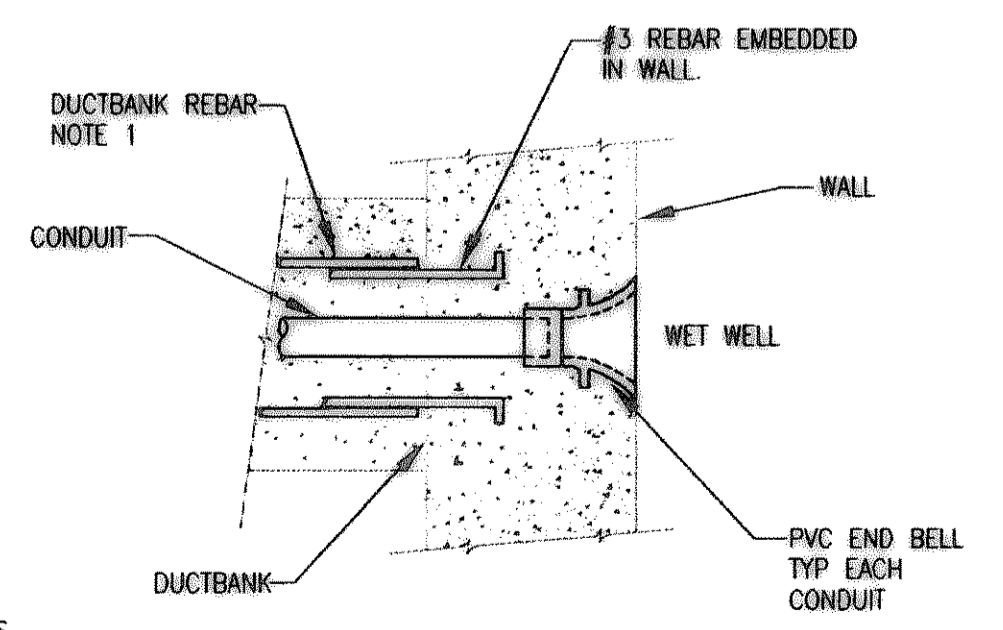


- NOTES:
- 1. TYPICAL FOR NEW PENETRATIONS OF EXISTING WALLS, ROOFS & FLOORS.
- 2. REPAIR ALL DAMAGE DONE BY CORE DRILL.

**06 WATERTIGHT CONDUIT PENETRATION**  
NOT TO SCALE

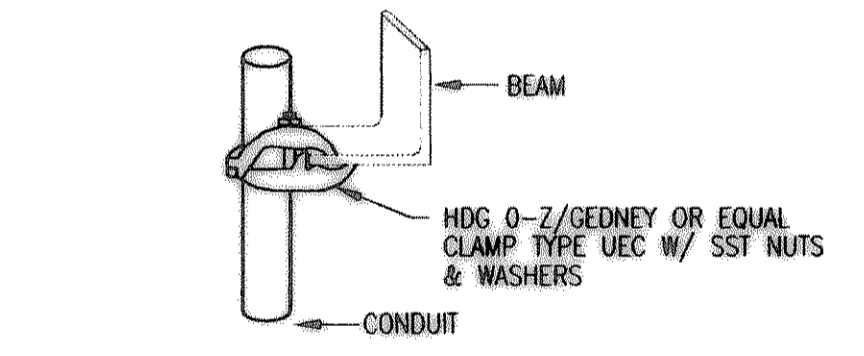


**11 GROUND ROD & WELL**  
NOT TO SCALE

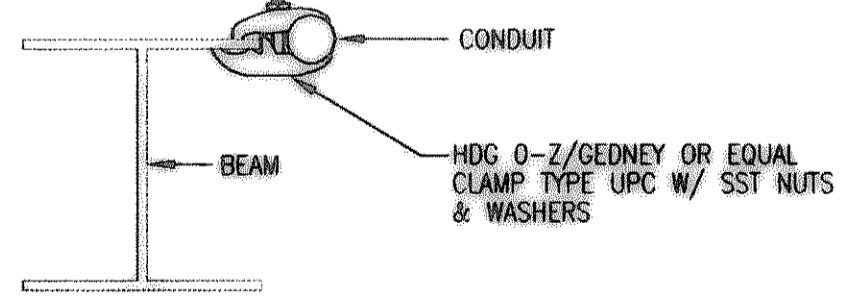


- NOTES:
- 1. TIE DUCTBANK REBAR TO WALL REBAR WITH #16 BLACK BARE SOLID STEEL.

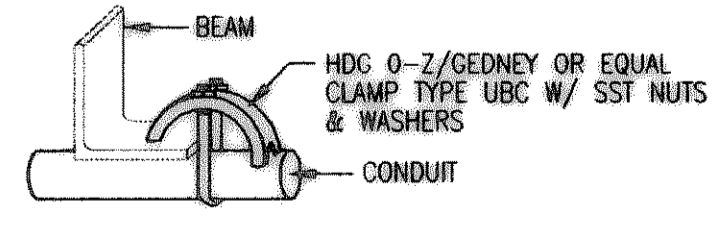
**05 END BELL IN LIFT STATION WET WELL**  
NOT TO SCALE



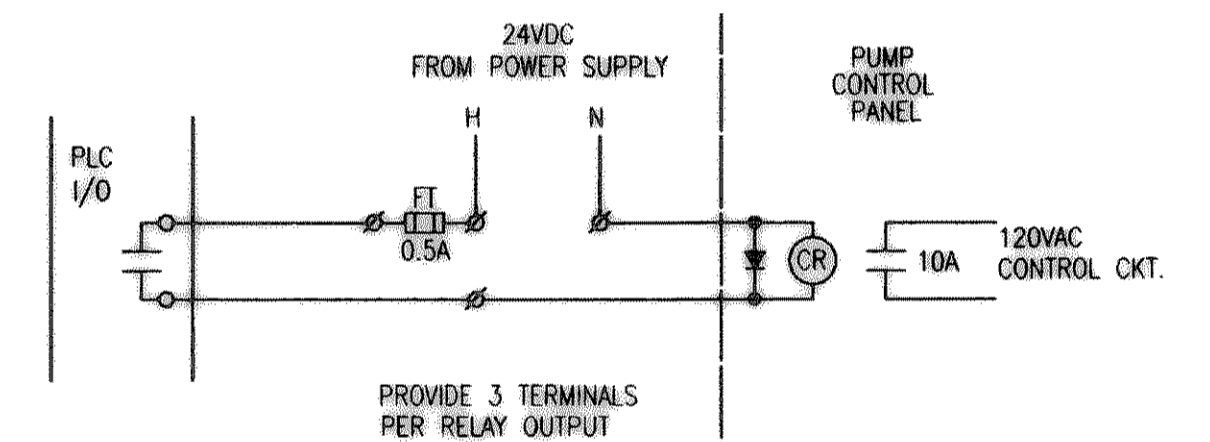
**08 TYPICAL EDGE TYPE CONDUIT SUPPORT**  
NOT TO SCALE



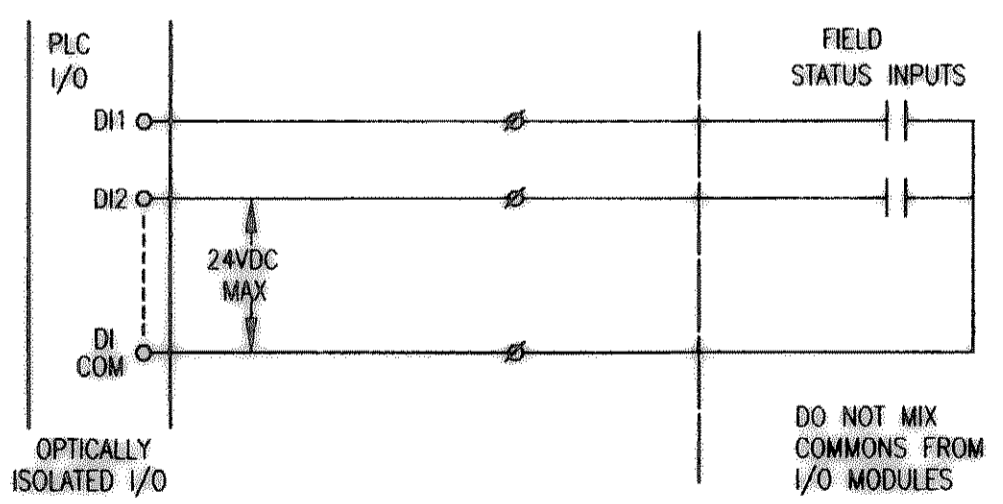
**09 TYPICAL PARALLEL CONDUIT SUPPORT**  
NOT TO SCALE



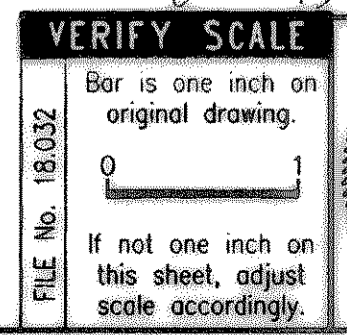
**10 TYPICAL RIGHT ANGLE CONDUIT SUPPORT**  
NOT TO SCALE



**11 TYPICAL PLC RELAY CONTROL OUTPUT WIRING**



**12 TYPICAL PLC DIGITAL INPUT WIRING**



REVISED TO CONFORM TO CONSTRUCTION RECORDS  
BY: [Signature] DATE: 11/1/03

These plans and related specifications were prepared for construction of this specific project only. Reuse of these documents is not permitted without written authorization of Birkhoff, Hendricks, & Conway, L.L.P.

**CITY OF ROCKWALL, TEXAS**

**DALTON ROAD LIFT STATION**  
**ELECTRICAL DETAILS**

**BIRKHOFF, HENDRICKS & CONWAY, L.L.P.**  
CONSULTING ENGINEERS  
Dallas, Texas

DESIGNED BY: J.A.V.F. PROJECT: 2000-170 SHEET NO. E4  
DRAWN BY: R.E.B. DATE: DECEMBER 2001 OF 4 SHEETS