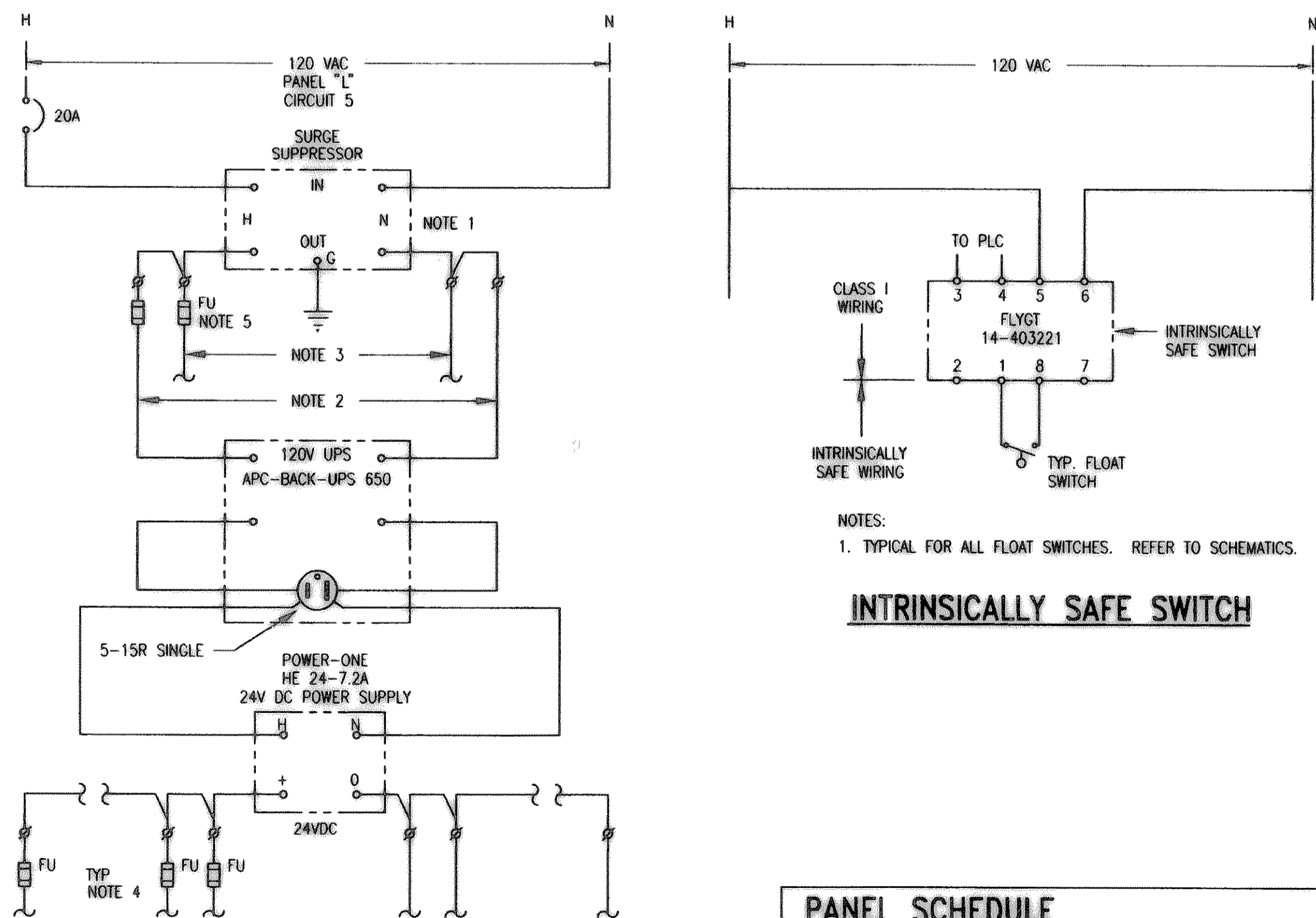


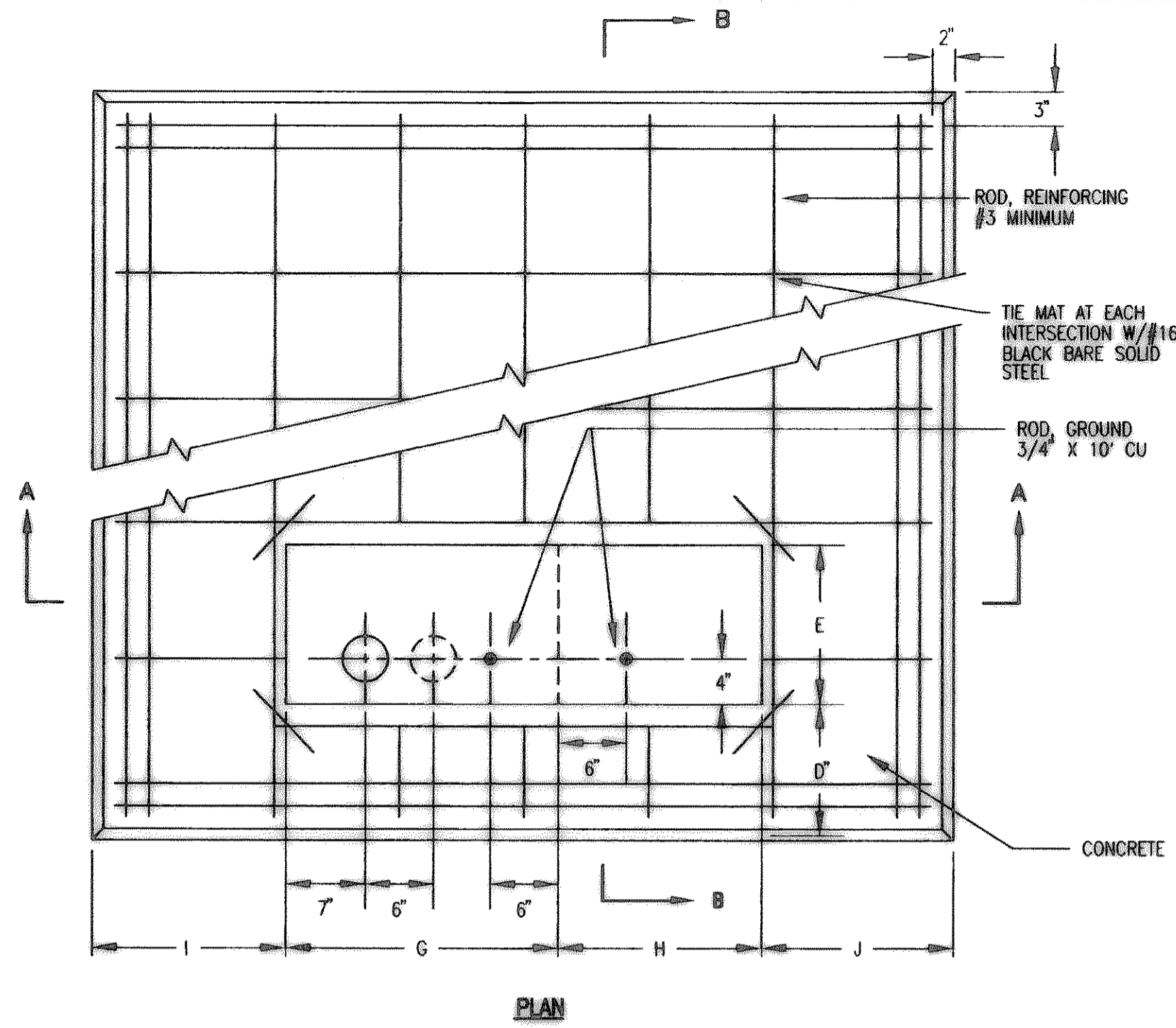
NOTES:  
1. REFER TO SCHEMATICS.

**CONTROL BLOCK DIAGRAM**

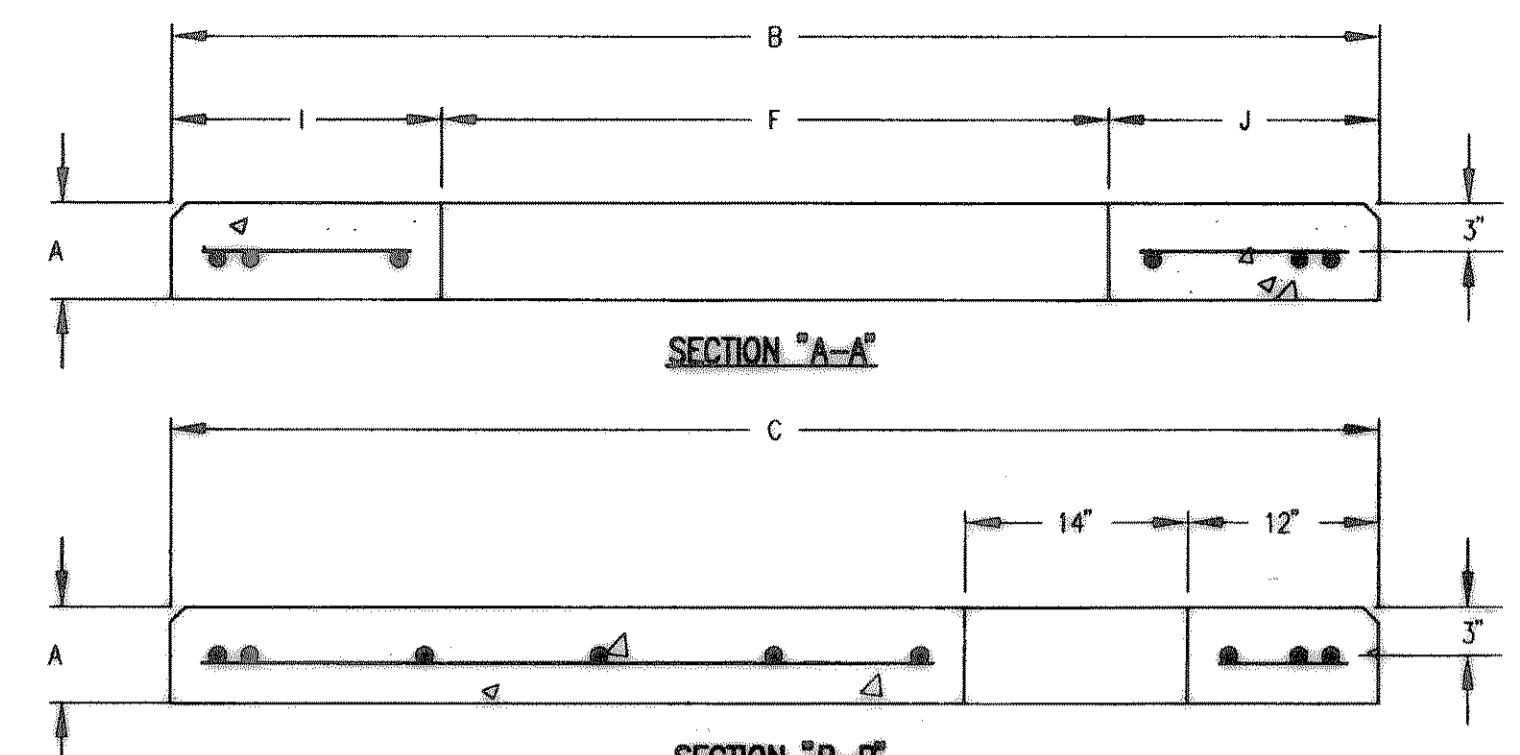


NOTES:  
1. TYPICAL FOR ALL FLOAT SWITCHES. REFER TO SCHEMATICS.

**INTRINSICALLY SAFE SWITCH**



PLAN

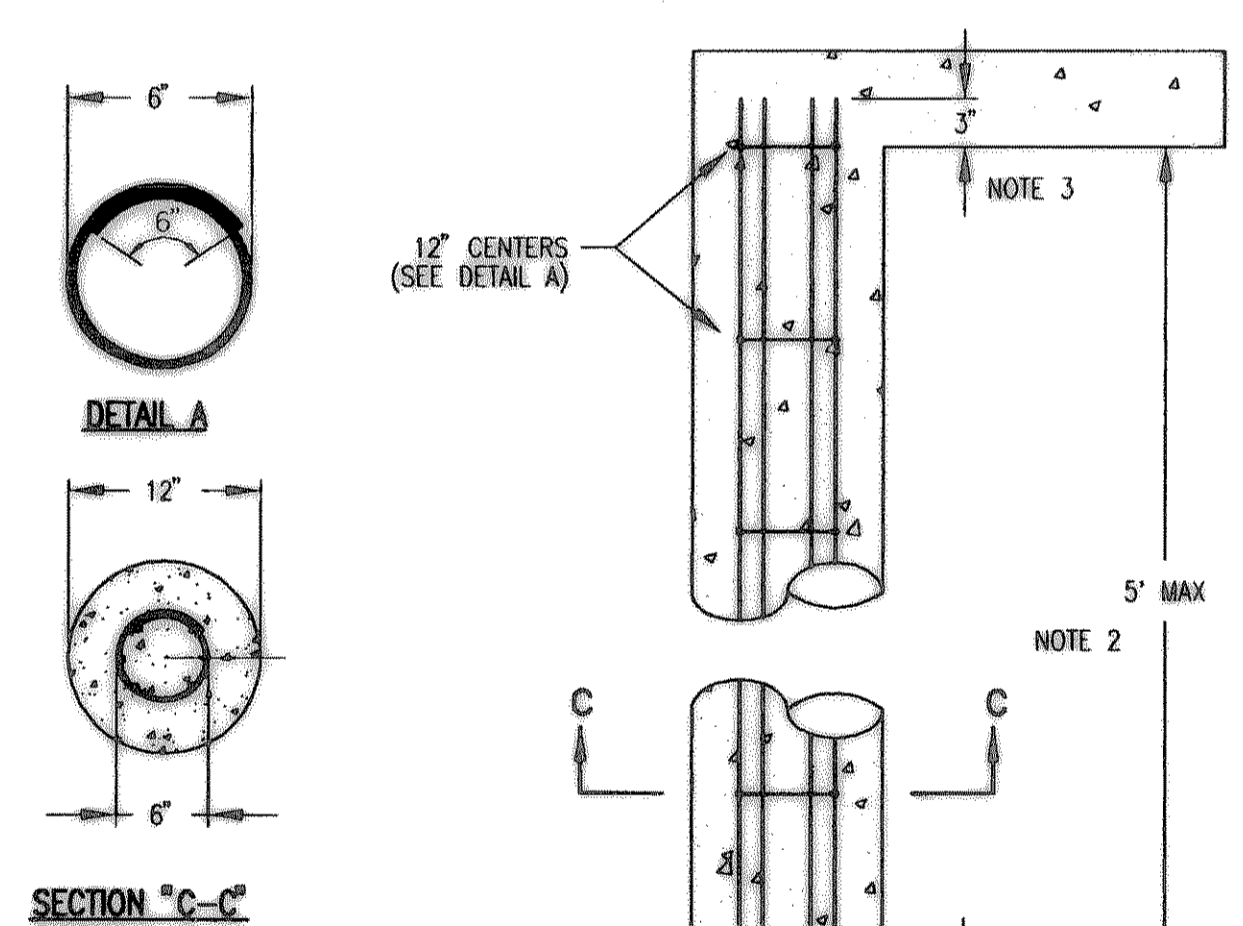


NOTE: REINFORCEMENT SPACING: 11" CENTERS

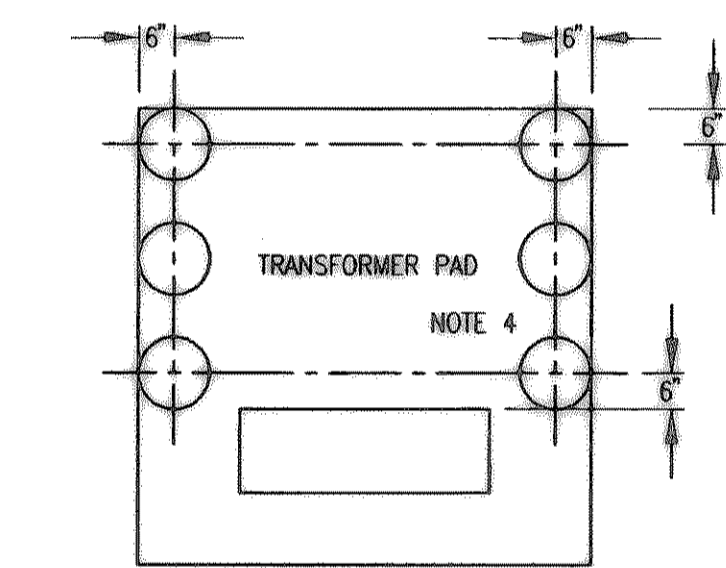
KVA	A	B	C	D	E	F	G	H	I	J
75-150 RADIAL	6"	76"	76"	12"	14"	42"	24"	18"	17"	17"

**01 DETAIL-THREE PHASE TRANSFORMER PAD**

NOT TO SCALE



NOTES:  
1. REF ELECTRICAL PLAN FOR LOCATION OF PAD MOUNTED TRANSFORMERS.  
2. PIER DEPTH SHALL BE 5 FEET BELOW BOTTOM OF PAD UNLESS ROCK OR OTHER HARD SURFACES ARE ENCOUNTERED. IF ROCK OR OTHER HARD SURFACES ARE ENCOUNTERED PRIOR TO A 5 FOOT DEPTH, PIER DEPTH SHALL EXTEND 6 INCHES INTO THE HARD SURFACE.  
3. PIER REINFORCING TO EXTEND 3 INCHES INTO PAD.  
4. SIX PIERS POSITIONED AS SHOWN SHALL BE FURNISHED FOR PAD.  
5. ALL REBAR SIZE #3 MINIMUM.

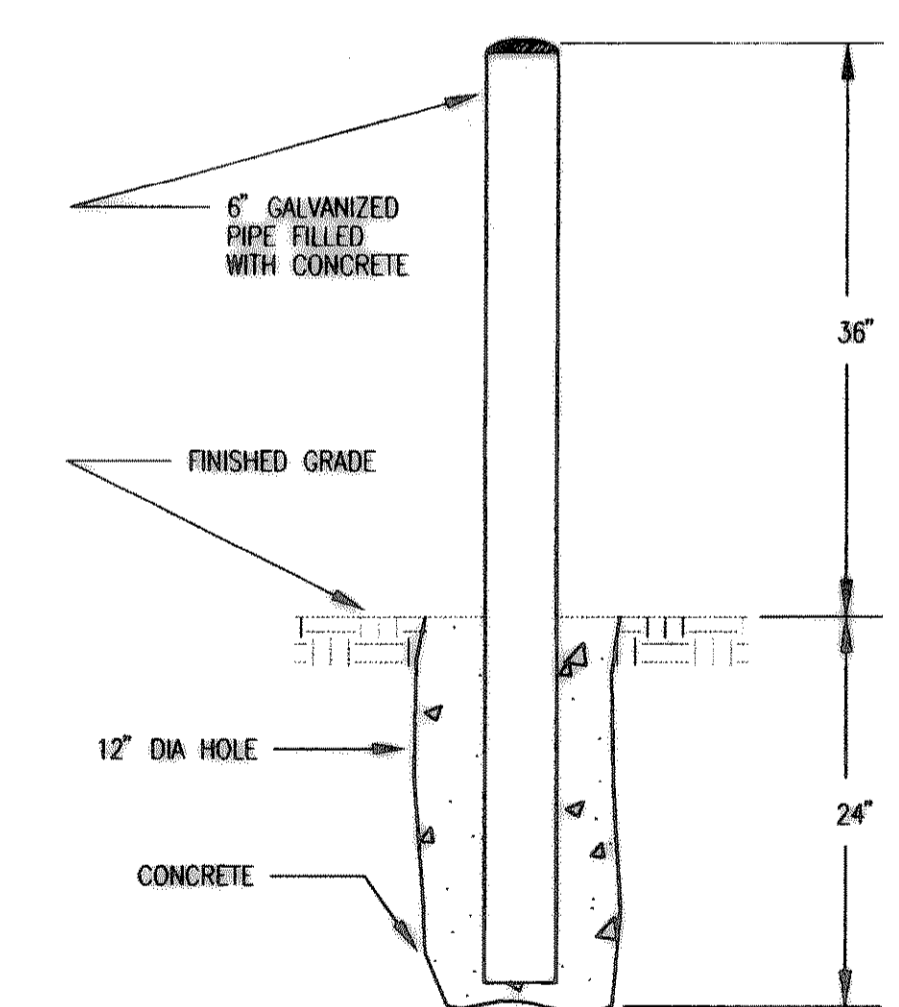


REINFORCING SCHEDULE			
NUMBER	SIZE	LENGTH	SHAPE
6	#5	5'	STRAIGHT
6	#3	2'-1"	HOOP (DETAIL A)

0.145 CU YARDS CONCRETE/PIER  
TOTAL WEIGHT OF (1) PIER: 565 LBS

**02 DETAIL - TRANSFORMER PAD PIER**

NOT TO SCALE



**03 DETAIL - GUARD POST**

NOT TO SCALE

**PANEL SCHEDULE**

NUMBER	LOAD	CTK	CTK	CTK	CTK	LOAD	CIRCUIT DESCRIPTION
	VA	BKR	#	#	BKR	VA	
LIGHTS	50	15/1	1	2	15/1	180	SERVICE OUTLET
SERVICE OUTLET	180	15/1	3	4	15/1	42	WARNING LIGHT
SURGE SUPPRESSOR	800	20/1	5	6	15/1		SPARE
SPARE		15/1	7	8	15/1		SPARE

NOTES:  
1. TRANSFORMER IS 120V.  
2. GE CATALOG #TPI 412 TC W/8 1/2" THOP CIRCUIT BREAKERS.

NOTES:  
1. HARDWIRED 120V - 20A SURGE SUPPRESSOR. SUPERIOR ELECTRIC STABILINE SERIES 3000 TYPE POI-3120H IN PUMP CONTROL CABINET. REF DET  
2. TO UPS.  
3. SPARE  
4. 1/4 AMP TERMINAL BLOCK FUSE. TYPICAL FOR FIFTEEN. (4 SPARE) 24VDC PLC INPUTS AND OUTPUTS.

**AC & DC POWER WITH UPS**

REVISED TO CONFORM TO CONSTRUCTION RECORDS  
DATE 1/17/03

These plans and related specifications were prepared for construction of this specific project only. Reuse of these documents is not permitted without written authorization of Birkhoff, Hendricks, & Conway, L.L.P.

**CITY OF ROCKWALL, TEXAS**

**DALTON ROAD LIFT STATION**

**ELECTRICAL SCHEMATICS & DIAGRAMS**

**BIRKHOFF, HENDRICKS & CONWAY, L.L.P.**  
CONSULTING ENGINEERS  
Dallas, Texas

DESIGNED BY: J.A.V.F. PROJECT: 2000-170 SHEET NO. E3  
DRAWN BY: R.E.B. DATE: DECEMBER 2001 OF 4 SHEETS

VERIFY SCALE  
Bar is one inch on original drawing.

FILE NO. 18.032

If not one inch on this sheet, adjust scale accordingly.

REGISTERED PROFESSIONAL ENGINEER  
JOHN A.V. FRY  
37435