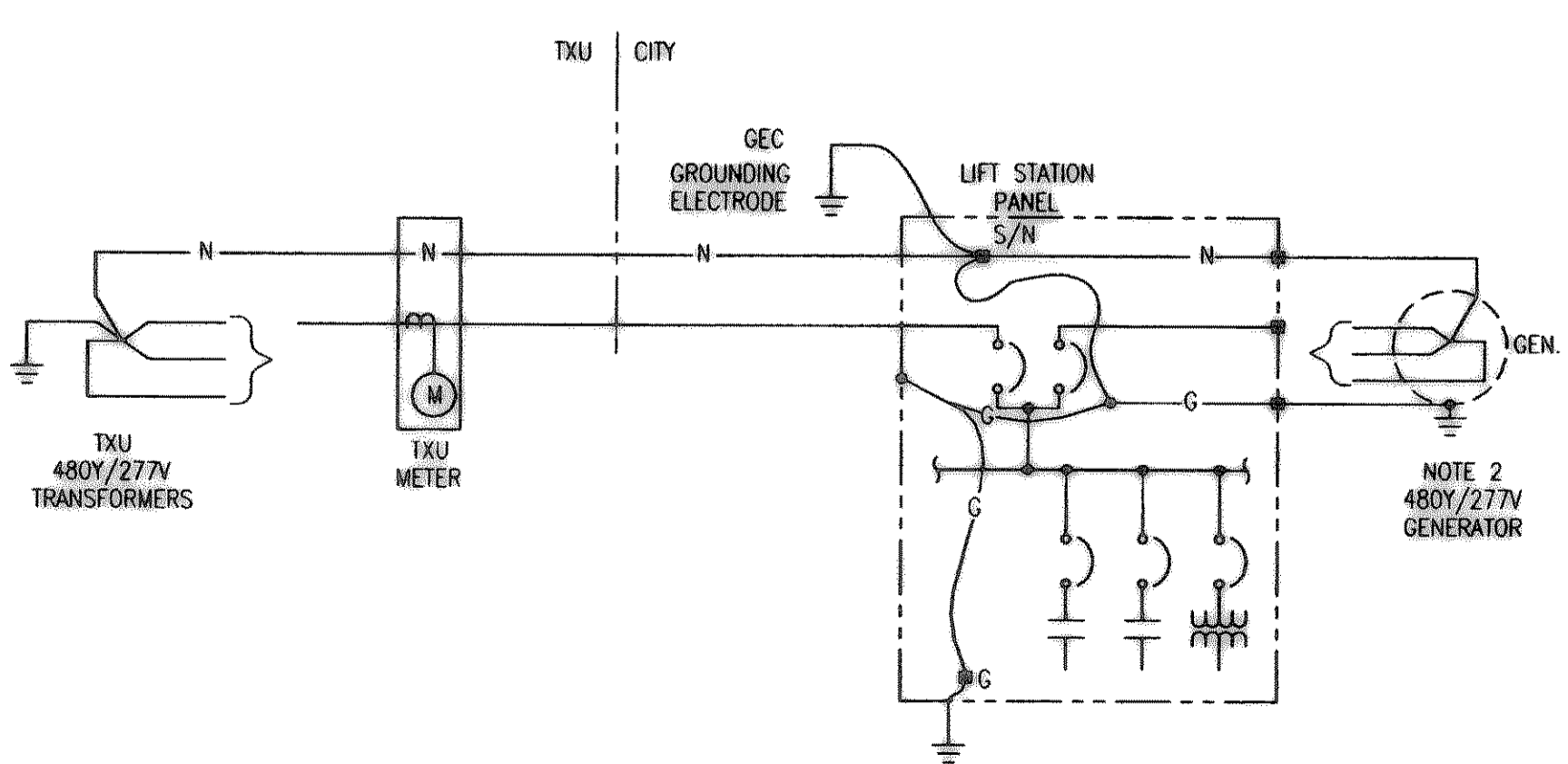


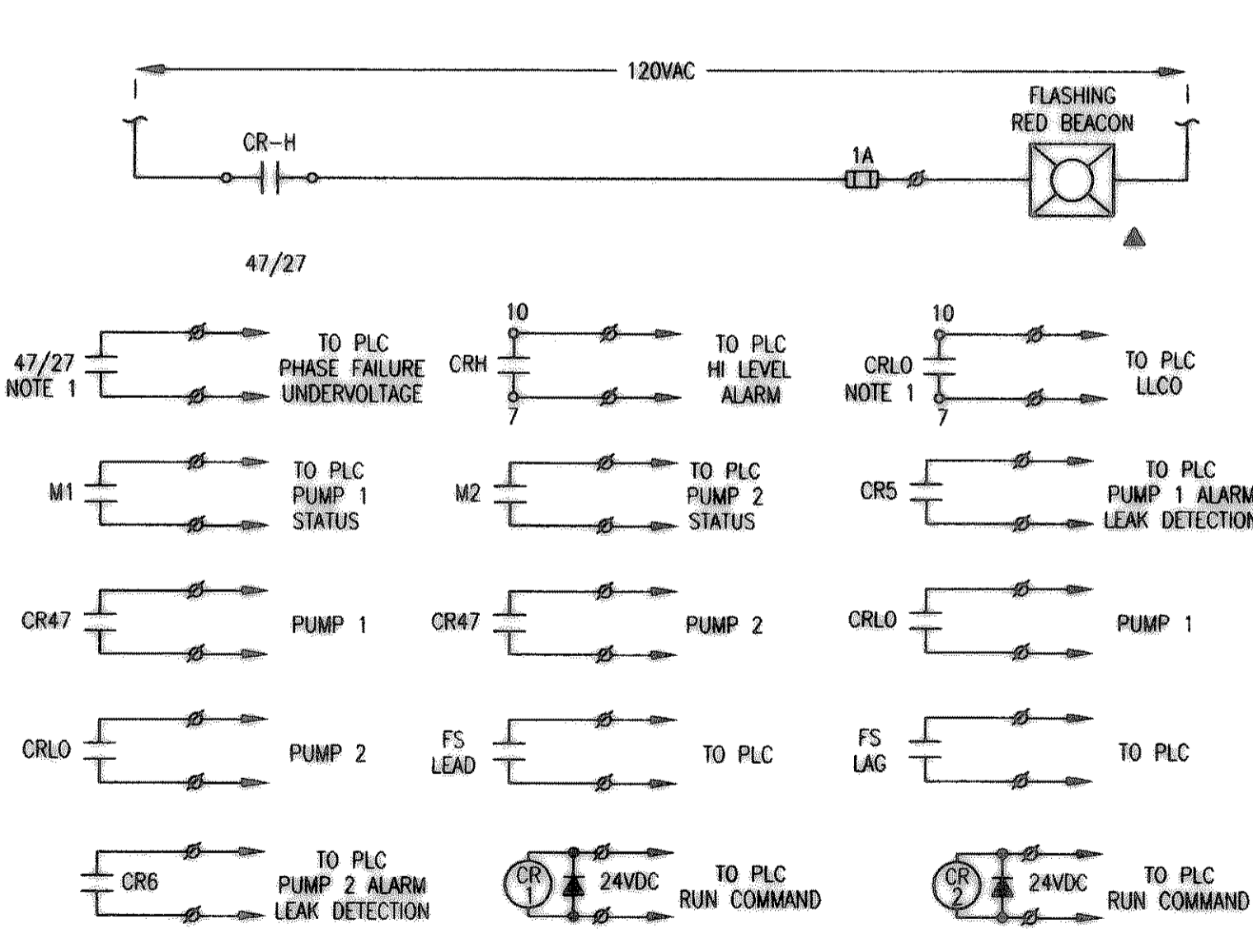
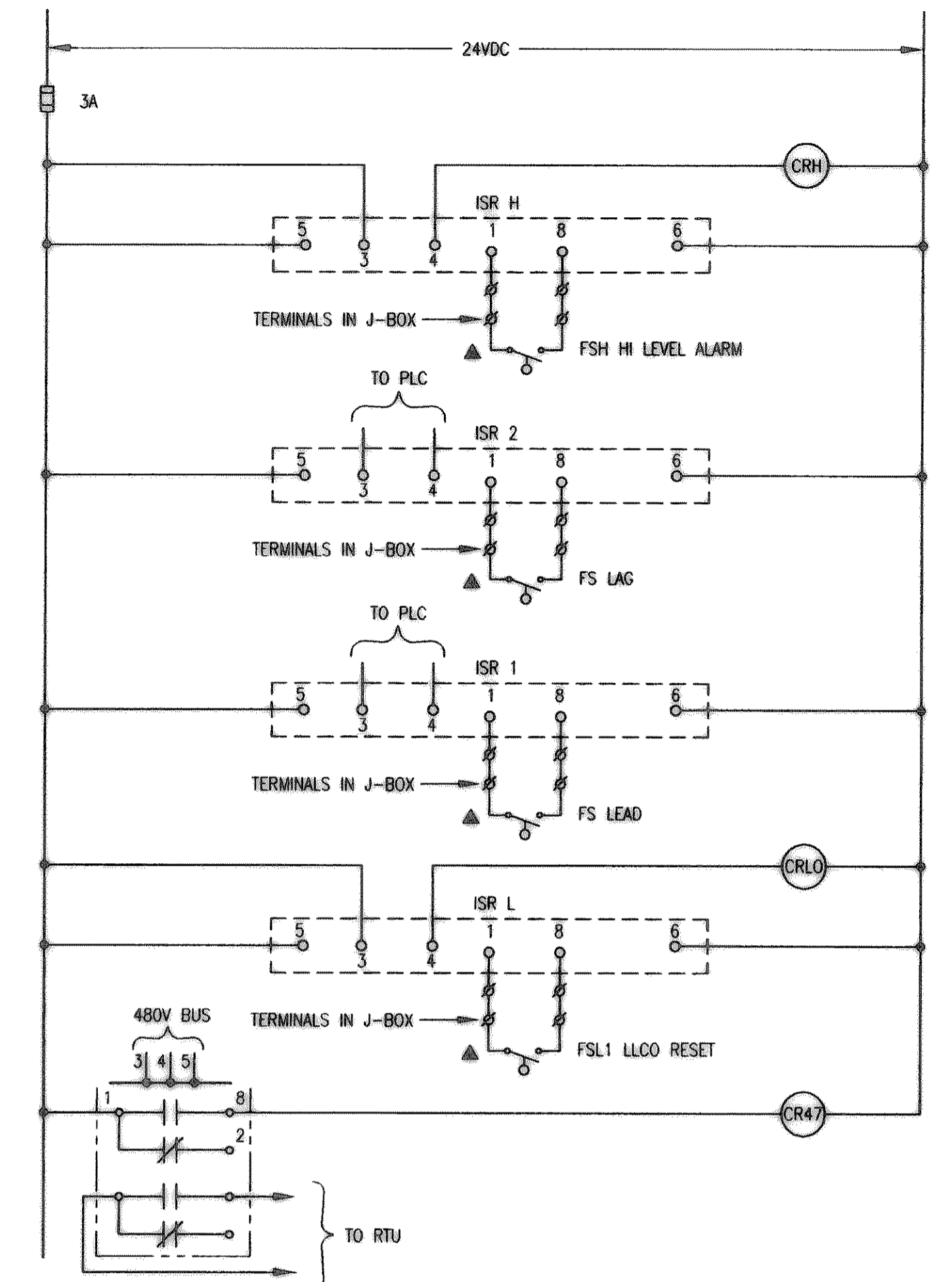
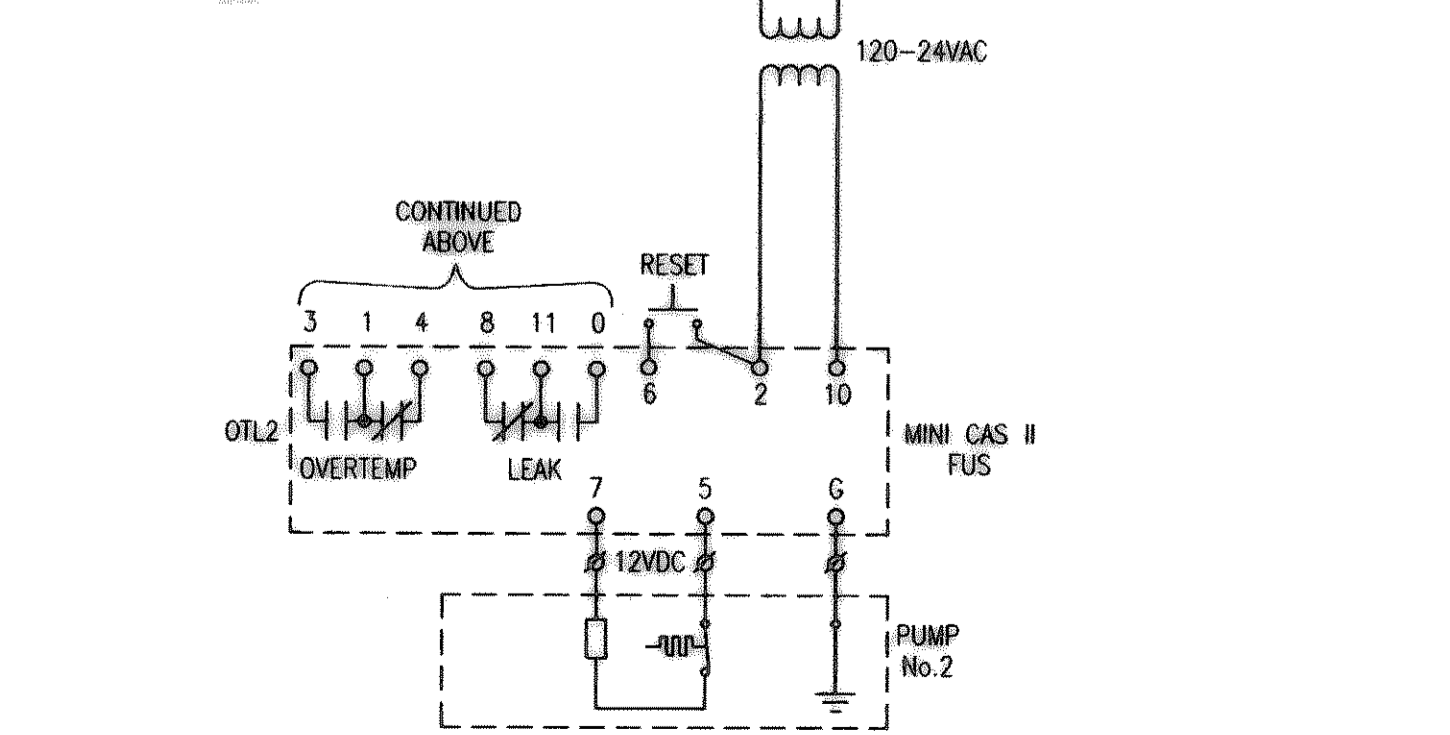
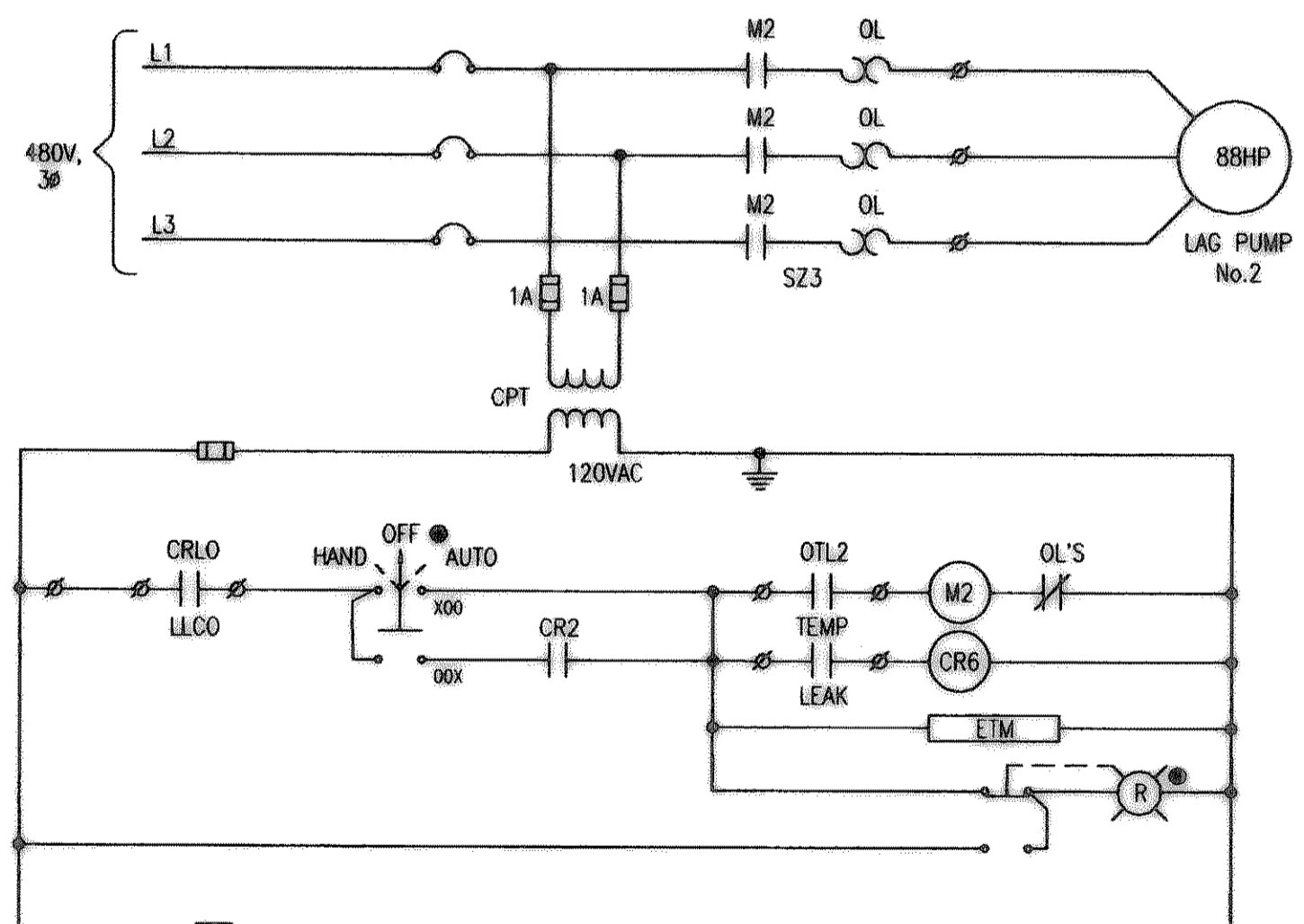
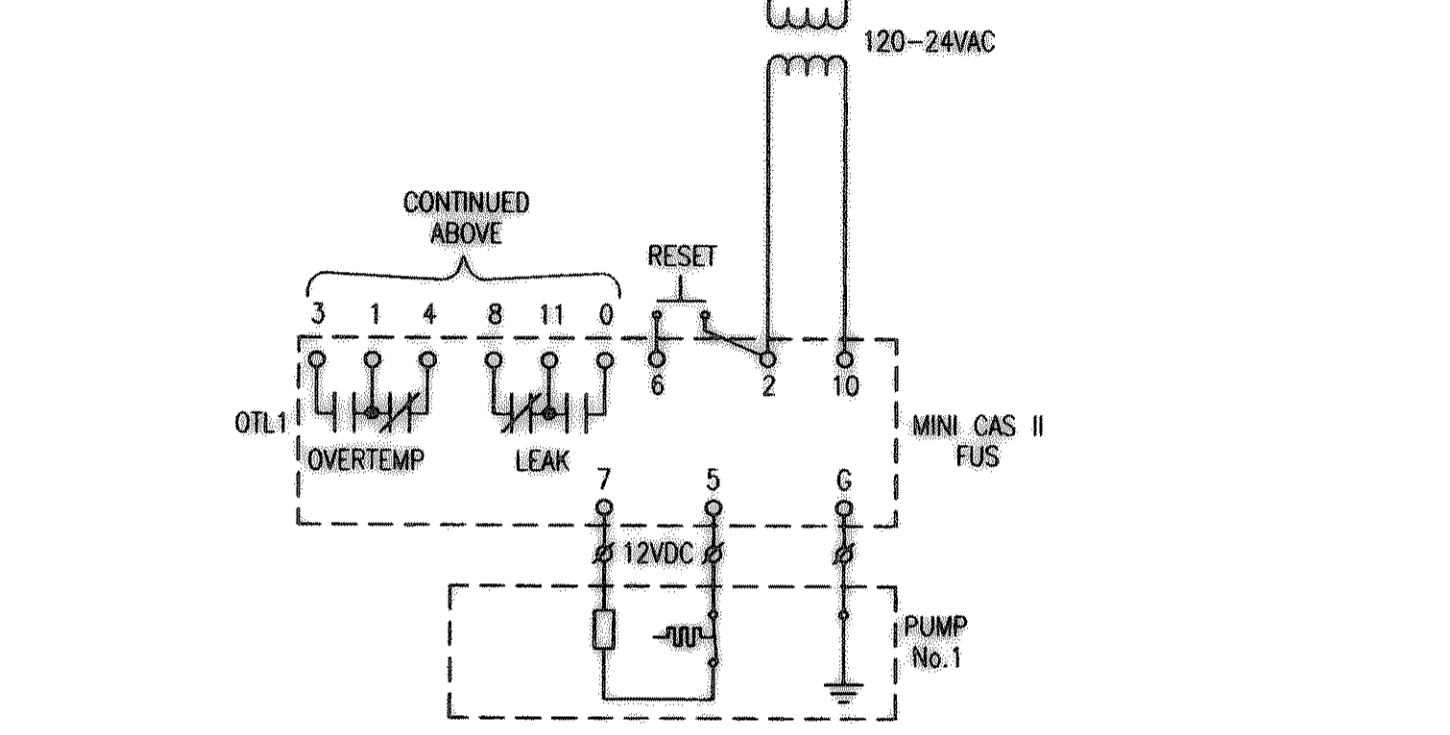
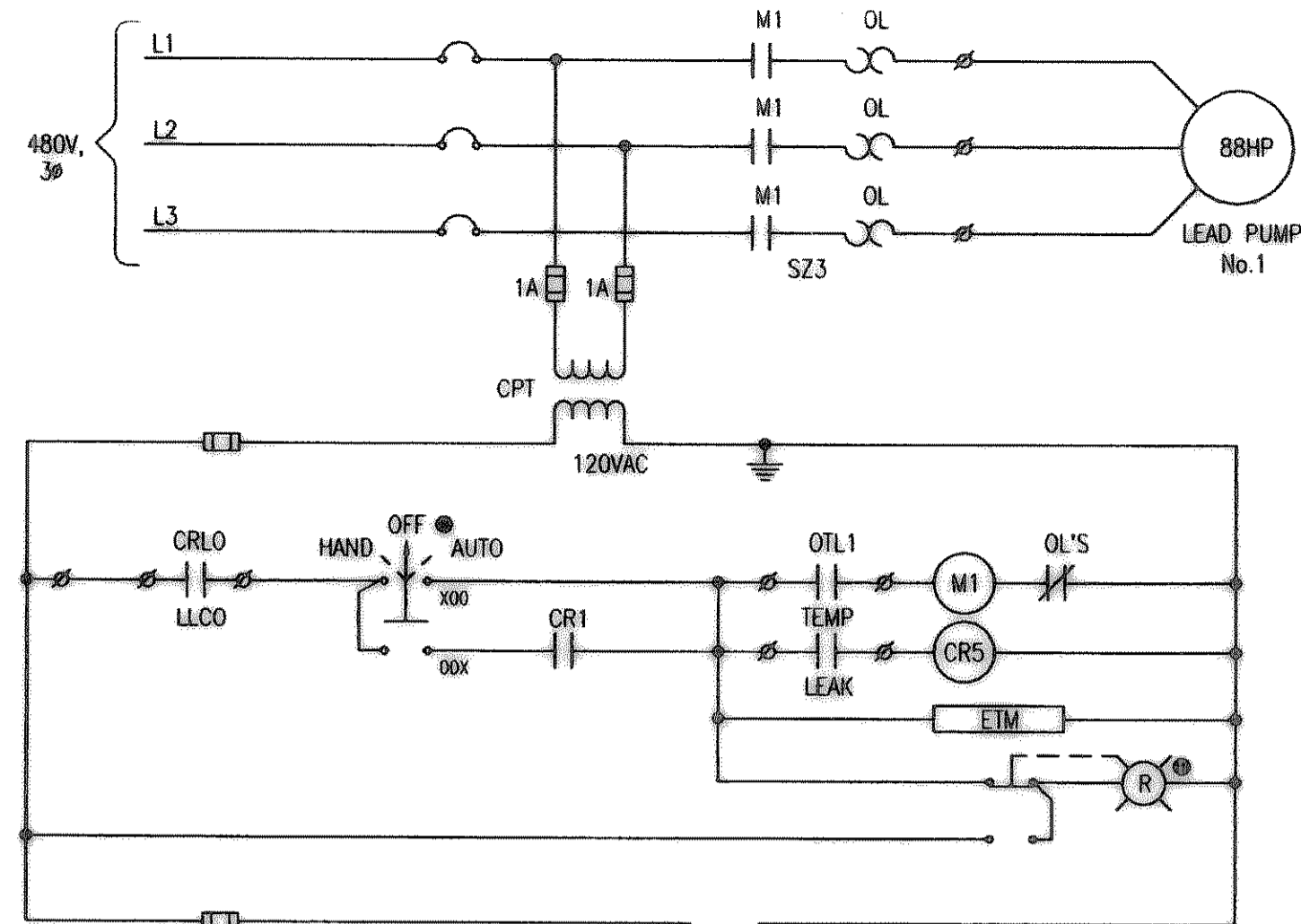
- NOTES:
1. MANUFACTURER'S CABLE. CONDUCTORS IN ONE CABLE:
3#1 (PWR), 2#10 (CTRL), 1#4 (G), 1#8 (GC).
 2. REFER TO SCHEMATICS AND SPECS FOR CONTROLS
 3. REFER TO 480V-3Ø GROUNDING SYSTEM DIAGRAM.
 4. KIRK-KEY MAIN CIRCUIT BREAKERS. ONLY ONE CLOSED AT A TIME. BOTH MAIN AND GENERATOR CIRCUIT BREAKERS SHALL BE SERVICE ENTRANCE RATED AND LABELED.

ONE LINE DIAGRAM - DALTON ROAD LIFT STATION



- NOTES:
1. PROVIDE SIGN AT SERVICE ENTRANCE PER NEC ARTICLE 702-8 SIGNS.
 2. GROUND GENERATOR NEUTRAL ONLY AT THE SERVICE ENTRANCE C.B.
 3. G.E.C. SHALL BE #2/0 AWG.

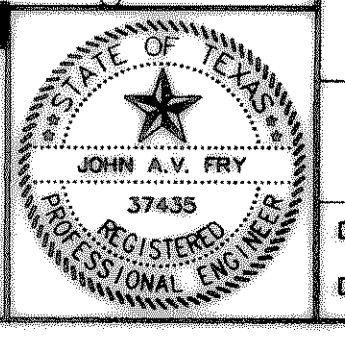
480V 3Ø GROUNDING SYSTEM DIAGRAM



- NOTES:
1. CONTACT CLOSED UNDER NORMAL CONDITIONS.
 2. FLOAT BACKUP FUNCTION IS INTENDED TO START ONE SELECTED PUMP ON HIGH LEVEL. PURPOSE IS TO PROVIDE BACKUP TO A FAILED RTU. PUMP RUNS TO LOW LEVEL CUTOFF.

CONTROL SCHEMATIC-PUMP CONTROL PANEL

VERIFY SCALE
Bar is one inch on original drawing.
FILE No. 18.032
If not one inch on this sheet, adjust scale accordingly.



ONE LINE DIAGRAM LEGEND	
SYMBOL	DESCRIPTION
	POWER TRANSFORMER
	CURRENT TRANSFORMER
	CONTROL POWER (CPT) OR POTENTIAL (PT) TRANSFORMER
	THERMAL MAGNETIC CIRCUIT BREAKER; AF=FRAME SIZE, AT=AMP TRIP
	MAGNETIC ONLY CIRCUIT BREAKER; NUMBER INDICATES CONTINUOUS CURRENT RATING
	FUSE
	FUSED SWITCH - 15 AMP FUSES 30 AMP SWITCH
	FULL VOLTAGE, NON-REVERSING STARTER, WITH OVERLOAD RELAY, NUMBER INDICATES NEMA SIZE
	CONNECTION TO GROUND
	SPACE HEATER
	SOLID NEUTRAL
	DELTA CONNECTED TRANSFORMER WINDINGS
	WYE CONNECTED TRANSFORMER WINDINGS
	LIGHTING ARRESTER
	SURGE CAPACITOR
CONTROL DIAGRAM LEGEND	
SYMBOL	DESCRIPTION
	DOOR MOUNTED DEVICE
	DEVICE MOUNTED REMOTE FROM MOTOR CONTROL
	DEVICE MOUNTED REMOTE FROM STARTER UNIT BUT IN MCC
	TERMINAL FOR CONNECTION OF EXTERNAL CIRCUITS
	NORMALLY CLOSED CONTACTS
	NORMALLY OPEN CONTACTS
	CONTROL POWER TRANSFORMER
	3 POSITION SELECTOR SWITCH
	MOTOR CONTACTOR
	CONTROL RELAY
	FUSE
	"STOP" PUSH BUTTON
	"START" PUSH BUTTON
	EMERGENCY "STOP" MUSHROOM BUTTON
	FLOAT SWITCH
	PUSH-TO-TEST PILOT LIGHT LETTER INDICATES COLOR

REVISED TO CONFORM TO CONSTRUCTION RECORDS
DATE 4/16/03

CITY OF ROCKWALL, TEXAS

DALTON ROAD LIFT STATION

ONE LINE DIAGRAM & SCHEMATICS

BIRKHOFF, HENDRICKS & CONWAY, L.L.P.
CONSULTING ENGINEERS
Dallas, Texas

DESIGNED BY: J.A.V.F. PROJECT: 2000-170
DRAWN BY: R.E.B. DATE: DECEMBER 2001

SHEET NO. E2
OF 4 SHEETS