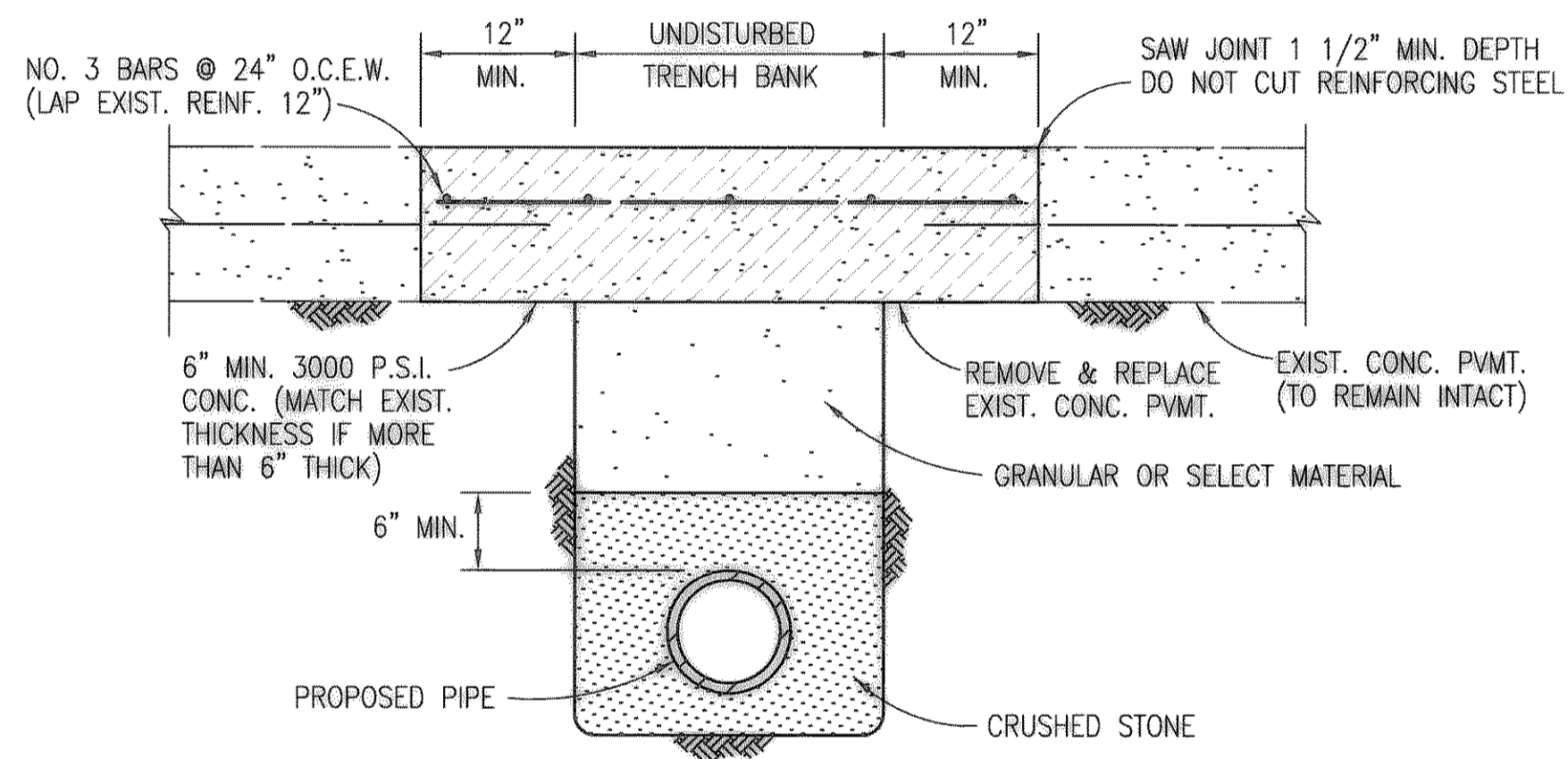
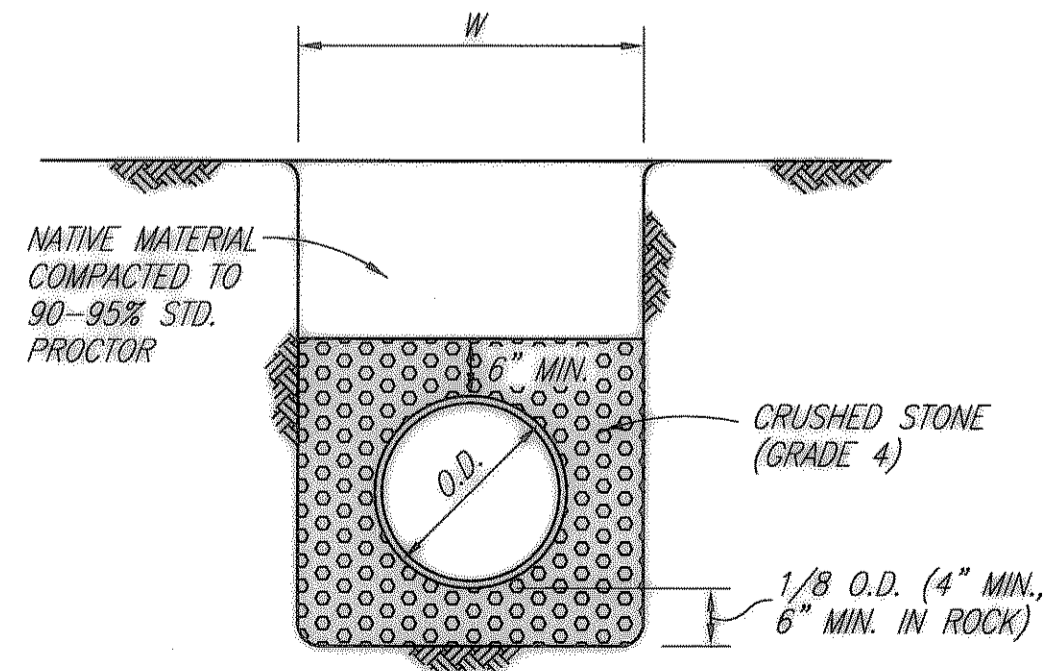


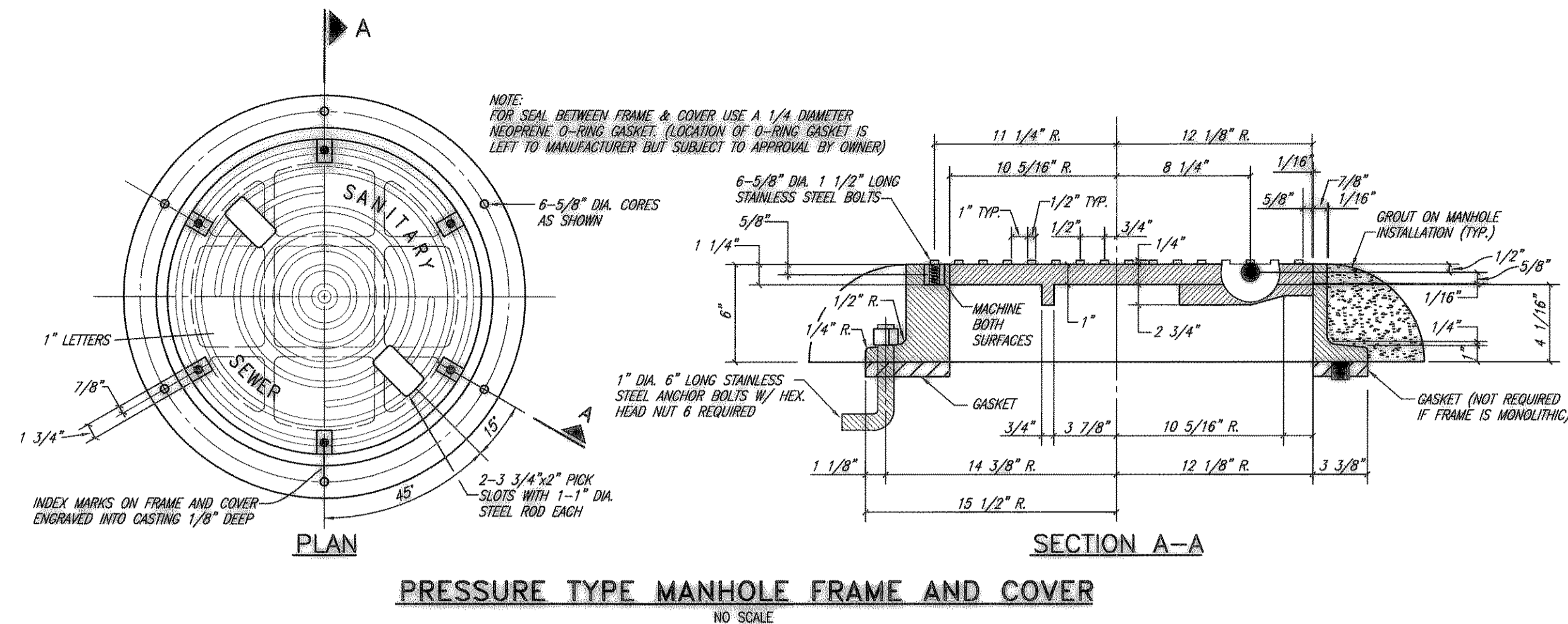
**ASPHALT STREET REPAIR**



**CONCRETE STREET REPAIR**

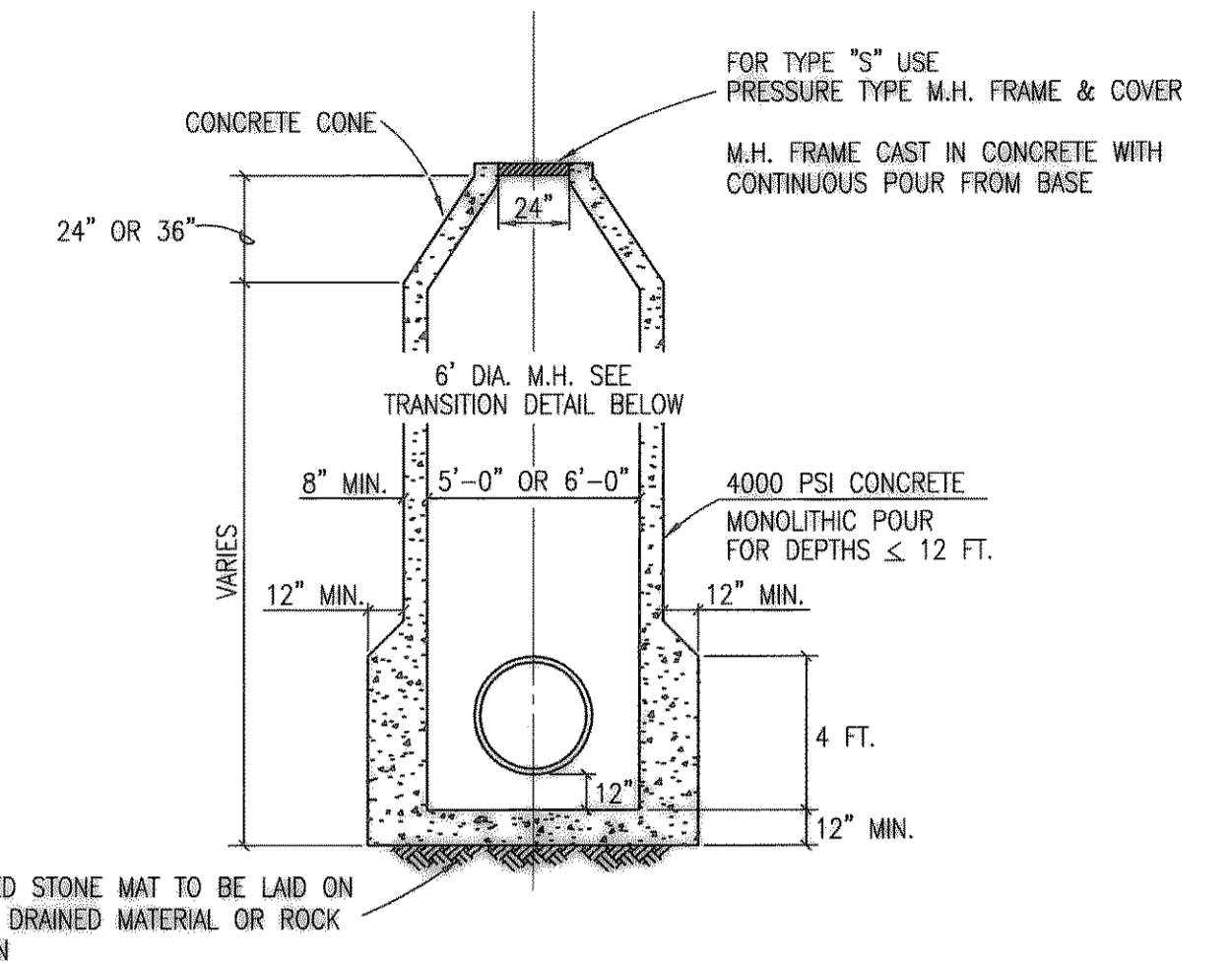


**CLASS H EMBEDMENT**



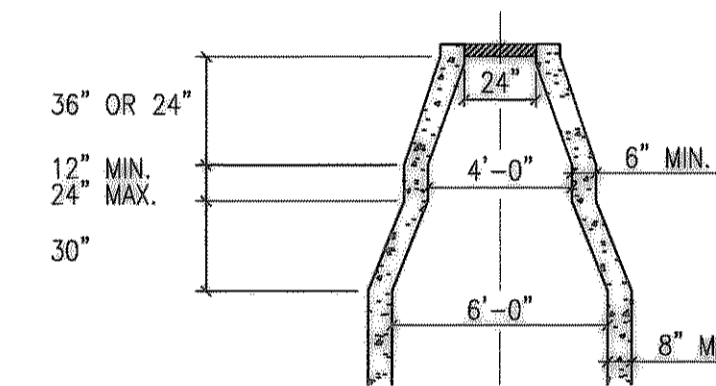
**PRESSURE TYPE MANHOLE FRAME AND COVER**

NO SCALE



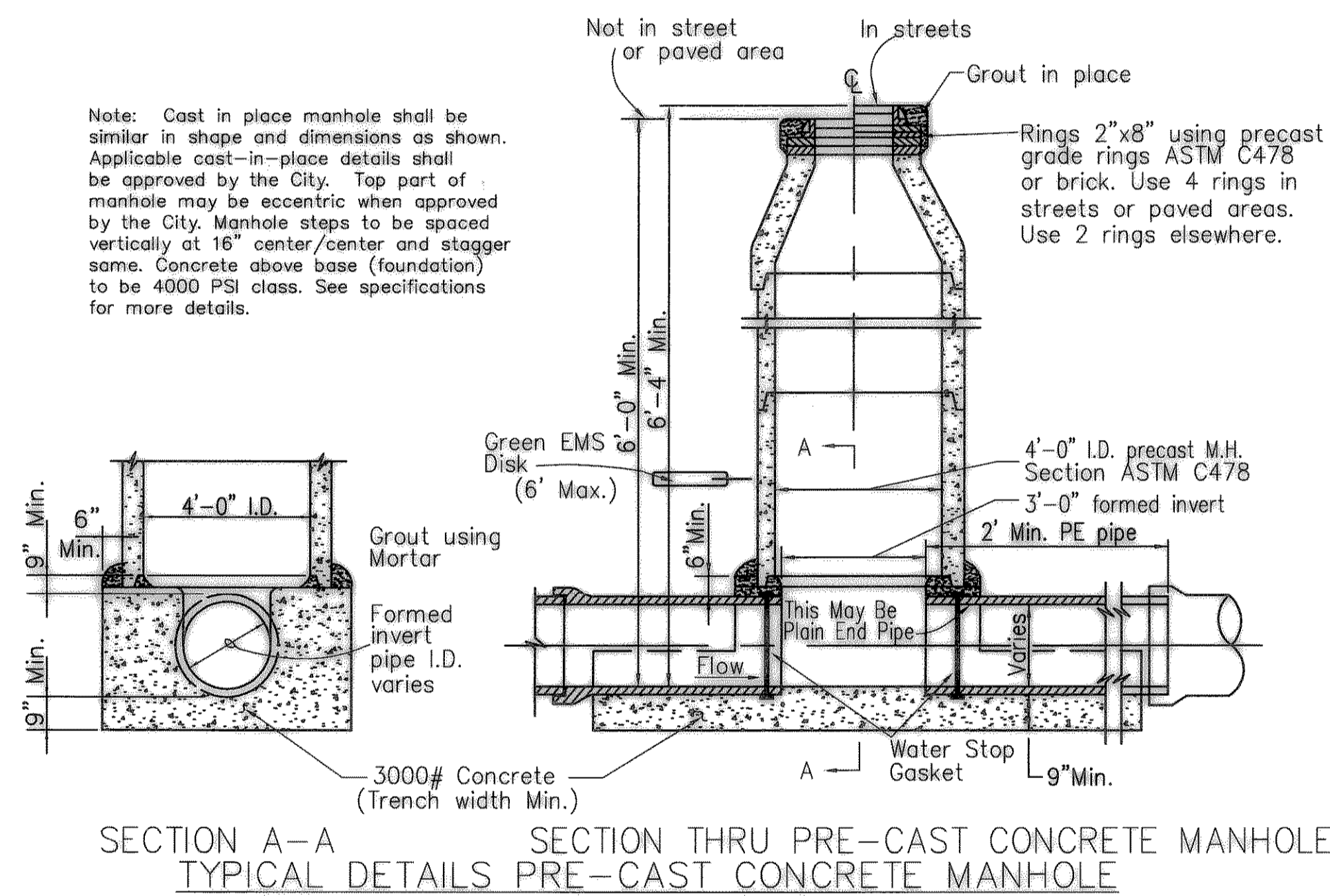
**NOTES FOR ALL MANHOLES:**

- 1) MANHOLE SHALL BE PLUMB TO WITHIN 1" FOR EVERY 5 FT. OF VERTICAL DEPTH, PRECAST OR CAST IN PLACE.
- 2) MANHOLES OVER 12 FT. DEEP SHALL HAVE NO.4 BARS @ 18" O.C.E.W. AND IF NOT POURED MONOLITHIC JOINTS SHALL HAVE A FORMED GROOVE OR REINFORCING DOWELS FOR SHEAR PROTECTION; CONSTRUCTION JOINTS SHALL HAVE HEAVY DUTY P.V.C. WATERSTOP 9-INCHES IN THE DIRECTION PERPENDICULAR TO THE JOINT AS MANUFACTURED BY B.F. GOODRICH OR APPROVED EQUAL.



**TRANSITION DETAIL FOR 6'**

**TYPE "S" MANHOLE (CAST IN PLACE)**



(Depths Not Less Than 6 Feet)  
See Note For Cast-In-Place Manhole

These plans and related specifications were prepared for construction of this specific project only. Reuse of these documents is not permitted without written authorization of Birkhoff, Hendricks, & Conway, L.L.P.

**CITY OF ROCKWALL, TEXAS**

DALTON ROAD FORCE MAIN AND DALTON ROAD GRAVITY MAIN  
**MISCELLANEOUS DETAILS**

**BIRKHOFF, HENDRICKS & CONWAY, L.L.P.**  
CONSULTING ENGINEERS  
Dallas, Texas

DESIGNED BY: P.A.C. PROJECT: 2000170 SHEET NO. 10  
DRAWN BY: J.P.O. DATE: DECEMBER, 2001 OF 10 SHEETS

REVISED TO CONFORM TO CONSTRUCTION RECORDS BY P.A.C. DATE 1/17/03

THESE DOCUMENTS ARE FOR BIDDING, CONSTRUCTION, AND PERMIT PURPOSES.

DATE: 12/19/01

